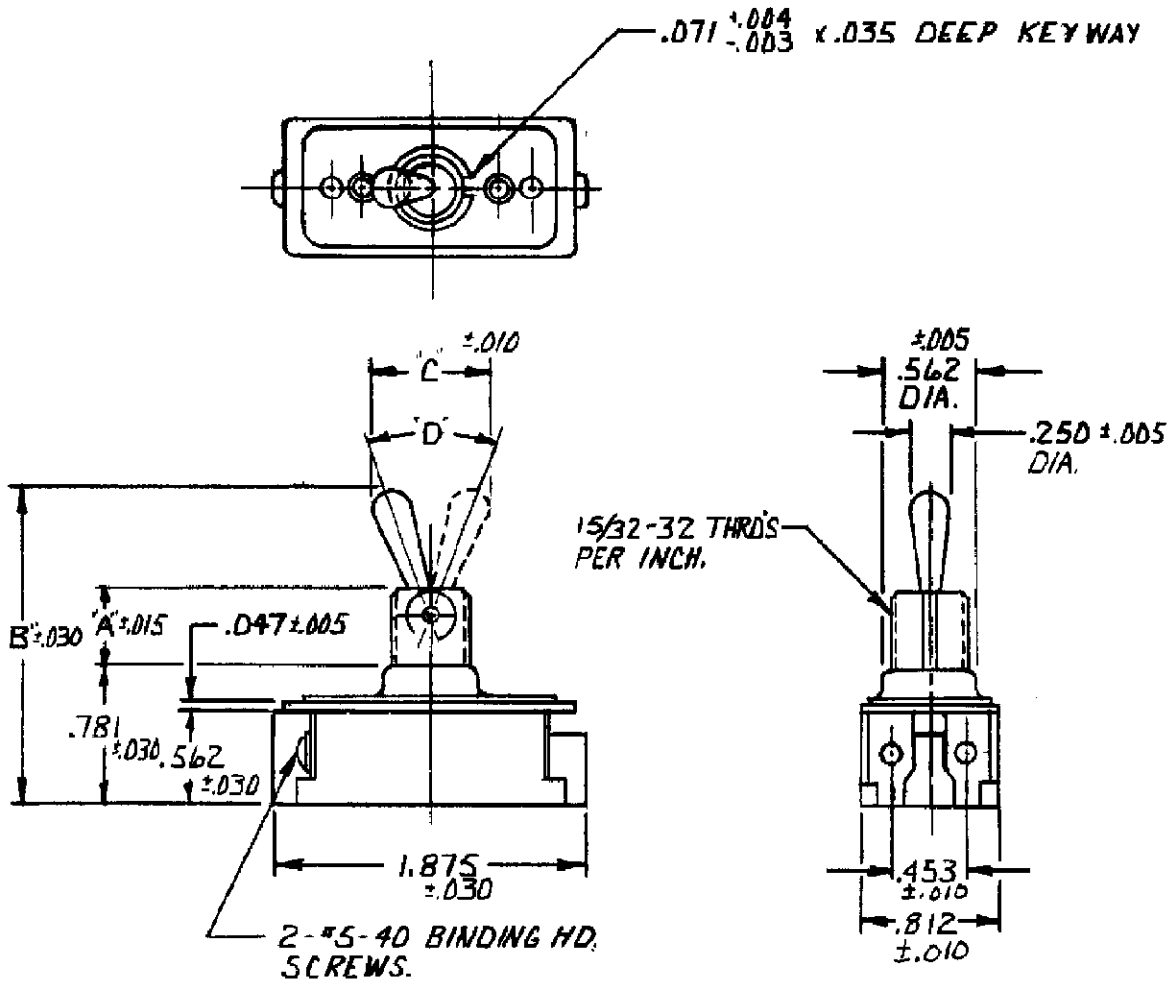


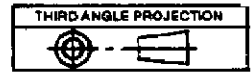
TITLE DIMENSIONS FOR DBL. POLE TOOL HD'L. SW. FOR EUROPEAN USE

ORDER NO.	702A575014	BASIC SPECS. SUMMARY				
			M. R. P.G. 11/14/76	DR MICHAEL WHITEO 1/8/76	APP. Richard Beard	
			702A575014			
A	REVISED PER ECO-11-005294	18APR11	HMR	CHK. J. SMITH	1-14-76	1520237
LTR	REVISION RECORD	DATE	CHK			REV A





$37 \pm 4^\circ$	7321	.469	1.922	.719
$50 \pm 4^\circ$	7321	.344	1.766	.844
"D"	CAT. NO.	A	B	C

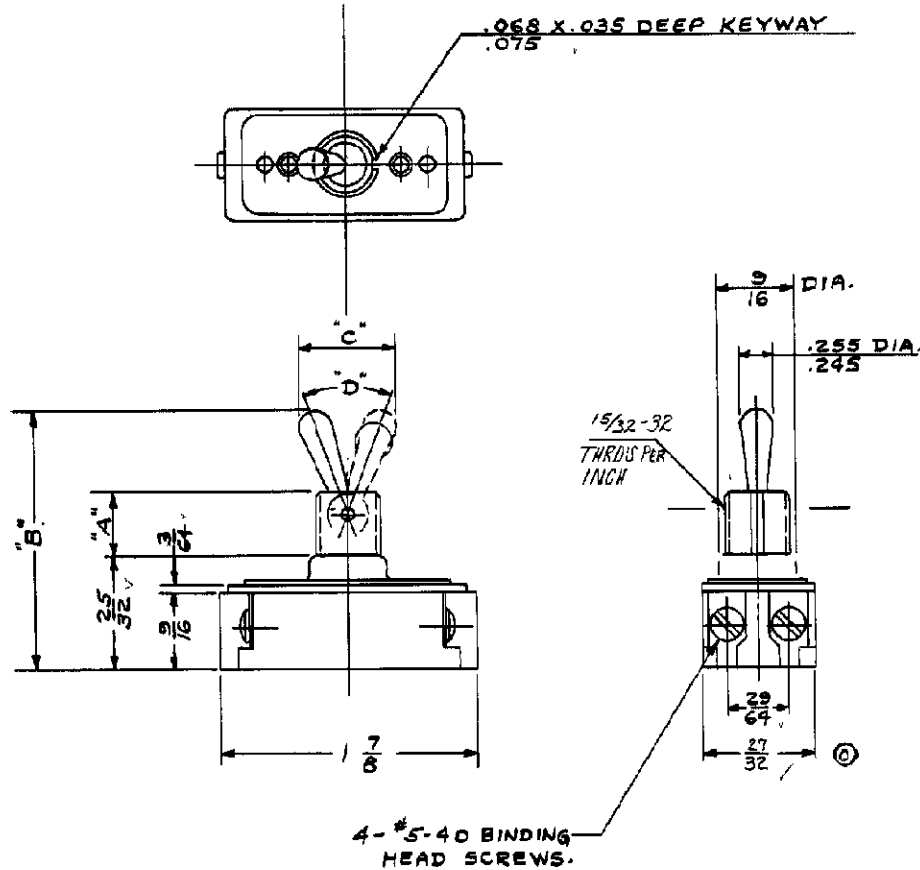


TITLE DIMENSIONS FOR SINGLE POLE ONE HANDLE MTG. TOOL HANDLE SWITCH.

ORDER NO.	9310N10	BASIC SPECS. SUMMARY		
		DR.	JEFF BROTHERS	11/27/04
		CHK.	GLENN STORV	11/27/04
		APP.	Bill Newland	11/27/04
			1520237	REV A
SEE SHEET 1		TE Connectivity		

1520237

RAW MAT SPEC WITH
PART NO AND AMOUNT REQ'D.



37±4°	7320	15/32	159/64	21/32
50±4°	7320	11/32	149/64	21/32
"D"	CAT. NO.	A	B	C

BULLETIN
DIMENSIONS FOR ~~TYPE 7320~~, ONE HOLE MTG. TOOL HANDLE SWITCH

DR. <i>E. R. Leonard</i>	11/14/40	1520237
CHKD. <i>J. P. ...</i>	10/14/40	SUP. S.
APP. <i>J. P. ...</i>	10/15/40	NON-INTERCHANGEABLE
		SUP. D BY
		NON-INTERCHANGEABLE
		SURFACE COATING
DO NOT SCALE DRAWING. WORK ACCORDING TO DIMENSIONS.		SCALE 1" = 1"
STANDARD TOLERANCES 90-275 APPLY TO DIMENSIONS FOR WHICH TOLERANCES ARE NOT SPECIFIED.		
SEE SHEET 1	ORDER NO.	REV
STE TE Connectivity	DEV. 4041-10	A

FORM NO. 7
DIMENSIONS ON THIS DRAWING
15-40
SCHILLER
15-40
CLOSE