



# PRODUCT DATASHEET

## Lena series

last update 14/5/2014

### DETAILS

|                        |                      |
|------------------------|----------------------|
| <b>Product Number</b>  | CN12367_LENA-FRESNEL |
| <b>Family</b>          | Lena                 |
| <b>Type</b>            | RefPack              |
| <b>Color</b>           | black                |
| <b>Diameter</b>        | 111 mm               |
| <b>Height</b>          | 87.7 mm              |
| <b>Style</b>           | round                |
| <b>Optic Material</b>  | PC                   |
| <b>Holder Material</b> | PC                   |
| <b>Fastening</b>       | socket, screw        |
| <b>Status</b>          | ready                |
| <b>ROHS Compliant</b>  | Yes                  |
| <b>Date Updated</b>    | 14/05/2014           |

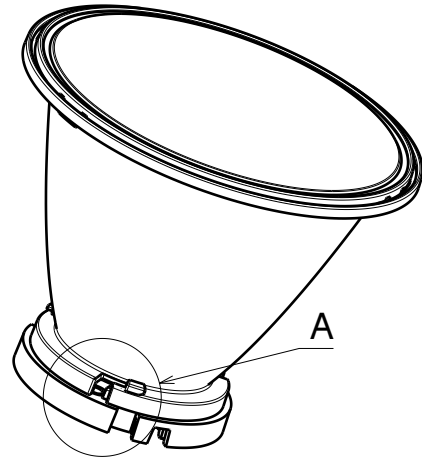


### OPTICAL PROPERTIES

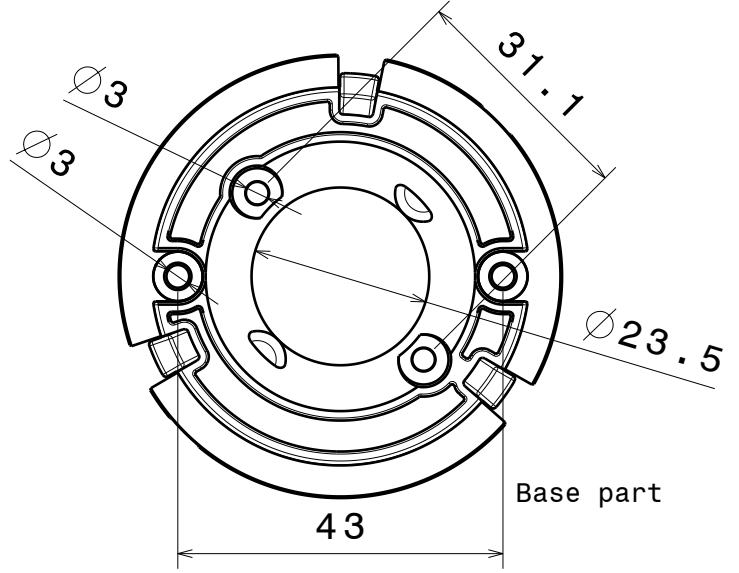
| LED     | Viewing<br>Angle | Light<br>Beam | Effi-<br>ciency | cd/lm | Connector |
|---------|------------------|---------------|-----------------|-------|-----------|
| CL-L340 | 8 deg            | Real spot     | 36 %            | 9.600 | -         |

D C B A

4

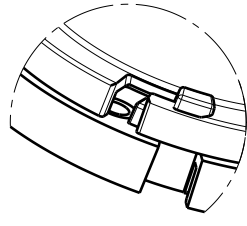


Isometric view



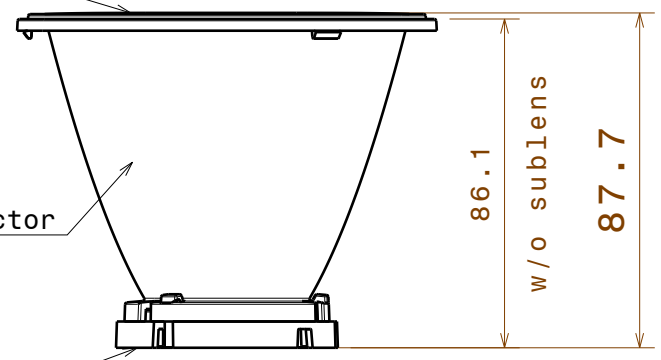
Base part

3



Detail A  
Scale: 1:1

Lena sublens



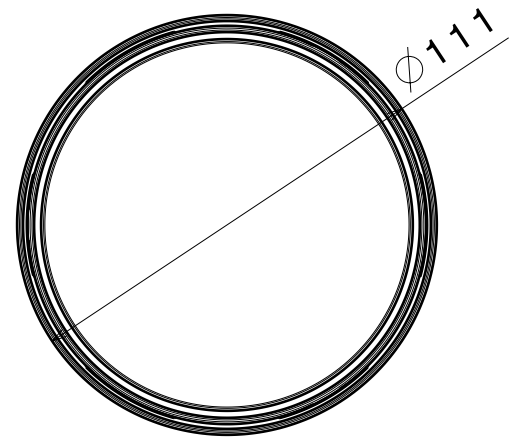
Lena reflector

Lena-STD-base CL340

2

Material:

- subLens
  - PMMA
- Reflector
  - PC
  - Metal coating and clear lacquer
- Holder base
  - PC
  - Color white



1

This drawing is our property. It can't be reproduced or communicated without our written agreement.



DRAWING TITLE

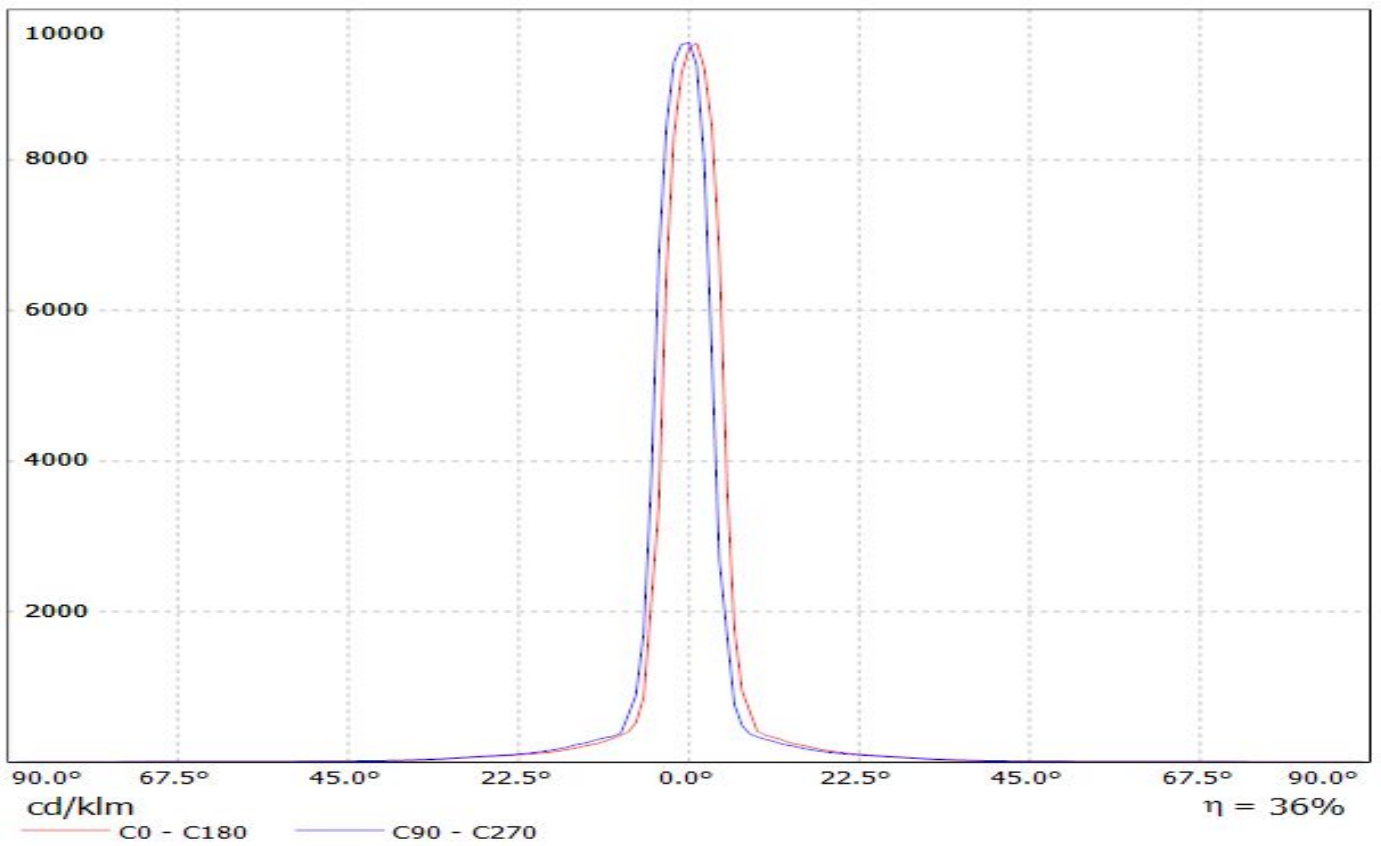
Datasheet Lena-CL340 series Assy

|                   |                    |                |                |           |          |
|-------------------|--------------------|----------------|----------------|-----------|----------|
| DRAWN BY<br>p     | DATE<br>26.05.2011 | DRAWING NUMBER |                |           | REV<br>1 |
| CHECKED BY<br>p   | DATE<br>26.05.2011 | SIZE<br>A4     | DRAWING NUMBER |           | REV<br>1 |
| DESIGNED BY<br>pl | DATE<br>11.02.2011 | SCALE<br>1:2   | WEIGHT (g)     | SHEET 1/1 |          |

D A

# LEDiL Oy CN12367\_LENA-FRESNEL-CL-L340 Eff.36.1% / LDC (Linear)

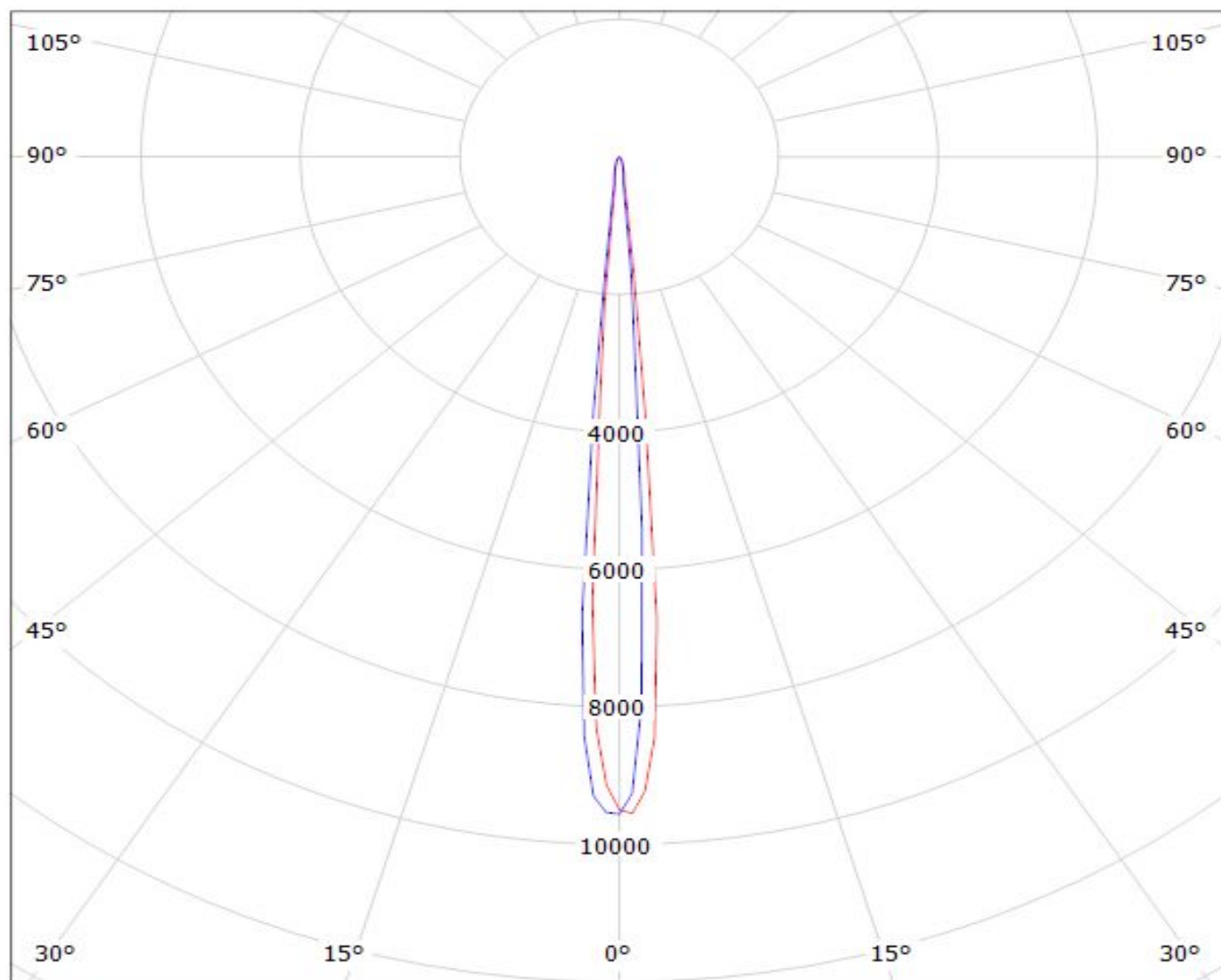
Luminaire: LEDiL Oy CN12367\_LENA-FRESNEL-CL-L340 Eff.36.1%  
Lamps: 1 x Citizen CL-340 (1151.01lm@250mA)



# LEDiL Oy CN12367\_LENA-FRESNEL-CL-L340 Eff.36.1% / LDC (Polar)

Luminaire: LEDiL Oy CN12367\_LENA-FRESNEL-CL-L340 Eff.36.1%

Lamps: 1 x Citizen CL-340 (1151.01lm@250mA)



cd/klm

— C0 - C180

— C90 - C270

$\eta = 36\%$

**NOTE: The typical divergence will be changed by different color, chip size and chip position tolerance. The typical total divergence is the full angle measured where the luminous intensity is half of the peak value.**

#### **GENERAL INFORMATION**

- Product series especially designed & optimized for series of LEDs.
- Special care taken to make light distribution as uniform as possible.
- Reflector is made of aluminium coated PC (120 degrees of Celcius / 248 degrees of Fahrenheit) with protective lacquer (short term 100 degrees of Celcius / 212 degrees of Fahrenheit).