

# DIO5151B

## 700mA/1A Buck/Boost Charge Pump LED Driver

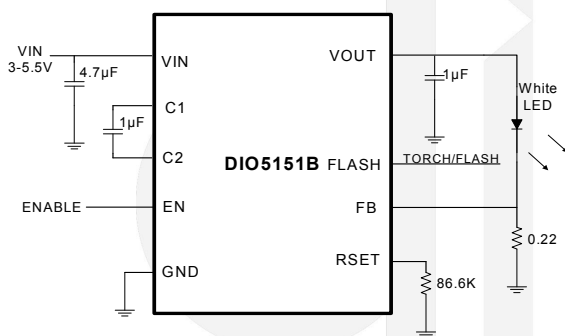
### Features

- Output Current :  
DIO5151BED8: 700mA  
DIO5151BCD10: 1A
- Up to 90% Efficiency in Torch Mode
- Adjustable FLASH Mode Current
- 1× and 2× Automatic Modes for High Efficiency
- Input Voltage Range: 3V to 5.5V
- Minimum External Components: No Inductors
- High Frequency Operation: 2MHz
- Low 47mV Reference for Low Loss Sensing
- $I_q < 1\mu A$  in Shutdown
- Built-In Soft Start Limits Inrush Current
- Low Input and Output Ripple and Low EMI
- Output Over Voltage Protection
- Output Open and Output Short Protection
- Over-current and Over-temperature Protection
- Package: DFN2\*2.2-8, DFN3\*3-10

### Applications

- Cellular Telephones
- Digital Still Cameras
- Mobile Internet Device
- USB Bus-Powered Chargers

### Block Diagram



### Descriptions

The DIO5151B is a current-regulated charge pump ideal for powering high brightness LEDs for camera flash applications. The charge pump can be set to regulate two current levels for FLASH and TORCH modes.

The DIO5151B automatically switches modes between step-up and step-down ensuring that LED current does not depend on the forward voltage. It switches at 2MHz, allowing the use of tiny components. The supply voltage ranges from 3V to 5.5V and is ideally suited for all applications powered by a single LI-Ion battery cell or three to four NiCd, NiMH, or Alkaline battery cells.

The DIO5151B also features a very low shutdown current, an automatic soft-start mode to limit inrush current, as well as over current, over voltage and over thermal shutdown control. A low current sense reference voltage (47mV) allows the use of small 0603 current sensing resistors.

The DIO5151B is available in Green DFN2\*2.2-8, DFN3\*3-10 package and is specified over an ambient temperature range of -40°C to +85°C.

### Ordering Information

Order Part Number	Top Marking		T <sub>A</sub>	Package	
DIO5151BED8	51B	Green	-40 to +85°C	DFN2*2.2-8	Tape & Reel, 3000
DIO5151BCD10	D51B	Green	-40 to +85°C	DFN3*3-10	Tape & Reel, 5000

## Pin Assignment

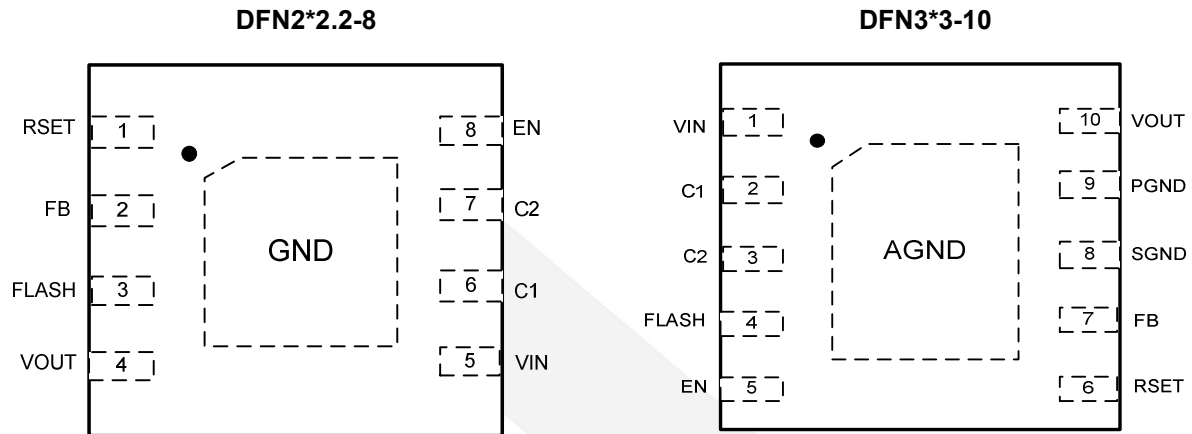


Figure 1 Pin Assignment (Top View)

## Pin Descriptions

Name	Description
RSET	Connect a resistor from this pin to ground. When in FLASH mode (FLASH = High) this resistor sets the current regulation point according to the following: $V_{FB} = (1.26V / R_{SET}) \times 10.2K\Omega$ .
FB	Feedback input for the current control loop. Connect directly to the current sense resistor.
FLASH	Logic input to toggle operation between FLASH and TORCH mode. In TORCH mode FB is regulated to the internal 47mV reference. In FLASH mode FB reference voltage can be adjusted by changing the resistor from R <sub>SET</sub> pin to ground. Choose the external current sense resistor (R <sub>SENSE</sub> ) based on desired current in TORCH mode and Flash mode.
VOUT	Charge Pump Output Voltage. Decouple with an external capacitor. At least 1μF is recommended. If Higher value capacitor is used, output ripple is smaller.
VIN	Input voltage for the charge pump. Decouple with 4.7μF or 10μF ceramic capacitor close to the pins of the IC.
C1	Positive input for the external flying capacitor. Connect a ceramic 1μF capacitor close to the pins of the IC.
C2	Negative input for the external flying capacitor. Connect a ceramic 1μF capacitor close to the pins of the IC.
EN	Shutdown control input. Connect to VIN for normal operation, connect to ground for shutdown.
SGND	Internal ground pin. Control circuitry returns current to this pin.
PGND	Power ground pin. Flying capacitor current returns through this pin.
GND	Exposed pad should be soldered to PCB board and connected to GND.



# DIO5151B

700mA/1A Buck/Boost Charge Pump LED Driver

## Absolute Maximum Ratings

Stresses beyond those listed under “Absolute Maximum Rating” may cause permanent damage to the device. These are stress ratings only and functional operation of the device at these or any other condition beyond those indicated in the operational sections of the specifications is not implied. Exposure to absolute maximum rating conditions for extended periods may affect device reliability.

Parameter		Rating	Unit
Supply Voltage Range		-0.3 to 6	V
EN Input Voltage		0-5.5	V
Output Current Pulse (Flash)	DIO5151BED8	700	mA
	DIO5151BCD10	1	A
Output Current Continuous (Torch)		0.4	A
Junction Temperature		150	°C
Storage Temperature		-40 to 150	°C
Lead Temperature (soldering, 10s)		260	°C
ESD (HBM) ALL PINS		3500	V
ESD (MM)		200	V

## Recommend Operating Conditions

The Recommended Operating Conditions table defines the conditions for actual device operation. Recommended Operating conditions are specified to ensure optimal performance to the datasheet specifications. DIOO does not Recommend exceeding them or designing to Absolute Maximum Ratings.

Parameter	Rating	Unit
Input Supply Voltage	3 to 5.5	V
Operating Temperature Range	-40 to 85	°C



# DIO5151B

700mA/1A Buck/Boost Charge Pump LED Driver

## Electrical Characteristics

( $V_{IN} = 3.6V$ ,  $C_{IN} = 4.7\mu F$ ,  $C_{OUT} = C_F = 1\mu F$ ,  $V_{SHDN} = V_{IN}$ , typical values at +25°C, unless otherwise noted.)

Parameter	Symbol	Conditions	Min	Typ	Max	Unit
Input Supply Voltage	$V_{IN}$		3		5.5	V
Quiescent Current	$I_Q$	$V_{IN} = 2.7V$ to $5.5V$ , FLASH = 0V, $I_{LOAD} = 100\mu A$		0.3		mA
Shutdown Current	$I_{SHDN}$	$V_{EN} = 0V$ , $V_{IN} = 5.5V$			1	$\mu A$
Oscillator Frequency				2		MHz
Charge Pump Equivalent Resistance (2×mode)				5		$\Omega$
Charge Pump Equivalent Resistance (1×mode)				0.6		$\Omega$
FB Reference Voltage	$V_{FB}$	FLASH = $V_{IN}$ , $R_{SET} = 86.6K\Omega$	132	150	165	mV
		FLASH = GND		47		
FB Pin Current		$V_{FB} = 0.3V$			1	$\mu A$
EN, FLASH Logic Low					0.4	V
EN, FLASH Logic High		$V_{IN} = 4.3V$	1.2			V
EN, FLASH Pin Current				0.8		$\mu A$
$V_{OUT}$ Turn-on Time		$V_{IN} = 3.6V$ , FB within 90% of regulation		350		$\mu s$
Thermal Shutdown Temperature				145		°C

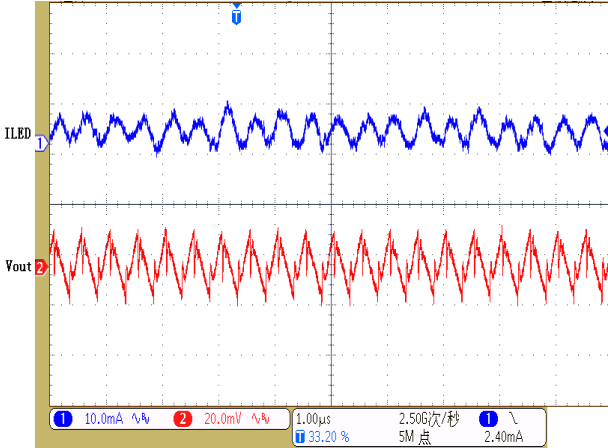
Specifications subject to changes without notice.

## Typical Performance Characteristics

$C_{IN} = 10\mu F$ ,  $C_{OUT} = 4.7\mu F$ ,  $C_F = 1\mu F$ , unless otherwise noted.

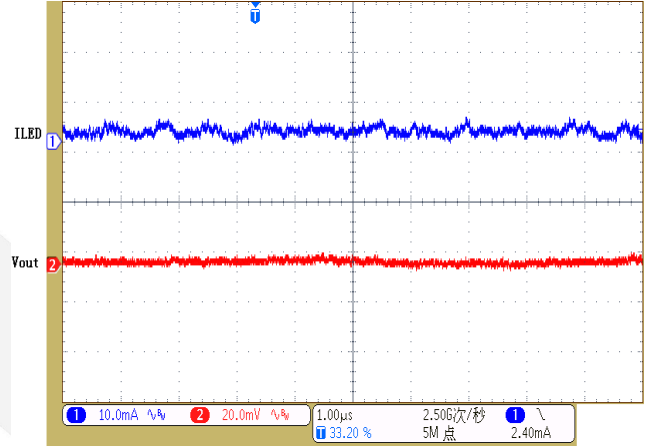
**Ripple Torch mode 2X mode**

( $V_{IN}=3.6V$ ,  $V_{LED}=2.9V$ ,  $I_{LED}=200mA$ )



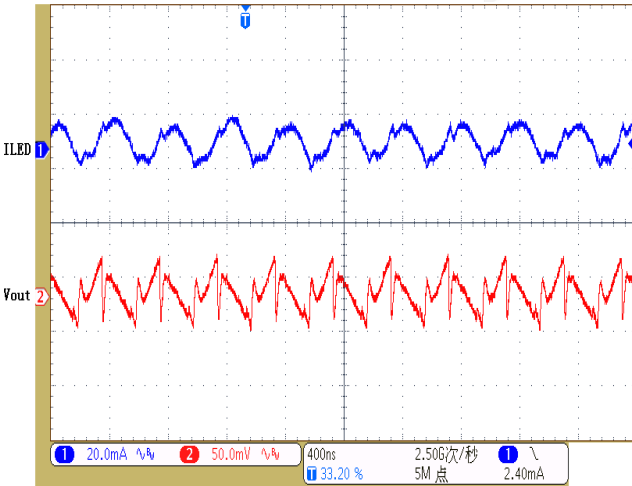
**Ripple Torch mode 1X mode**

( $V_{IN}=4.2V$ ,  $V_{LED}=2.9V$ ,  $I_{LED}=200mA$ )



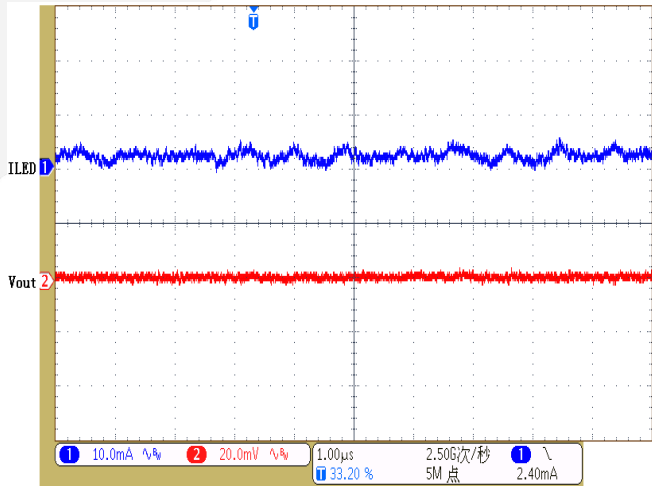
**Ripple Torch mode 2X mode**

( $V_{IN}=3.6V$ ,  $V_F=3.0V$ ,  $I_{LED}=700mA$ )



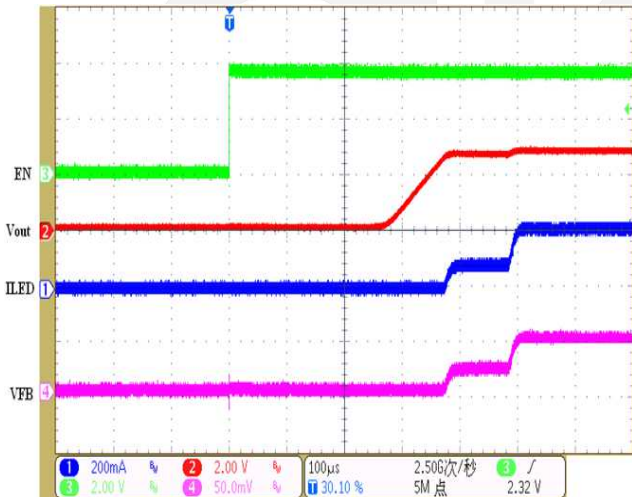
**Ripple Torch mode 1X mode**

( $V_{IN}=4.2V$ ,  $V_F=3.0V$ ,  $I_{LED}=700mA$ )



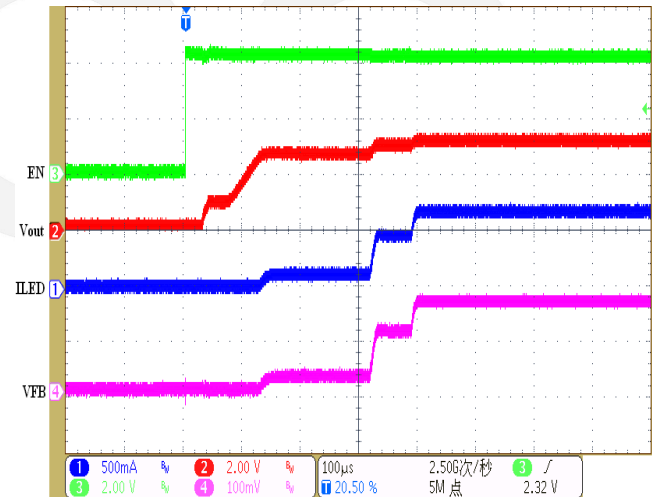
**Start-up Touch mode**

( $V_{EN}=3.6V$ ,  $V_F=2.9V$ ,  $I_{LED}=200mA$ )



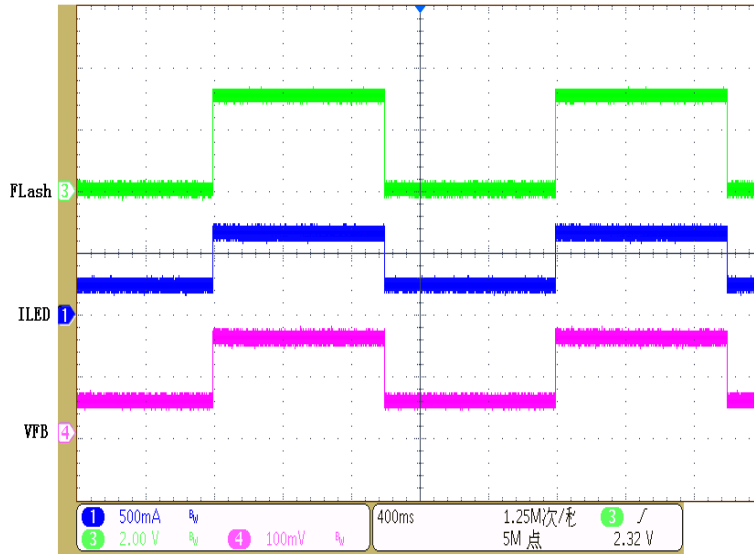
**Start-up Flash mode**

( $V_{EN}=4.2V$ ,  $V_F=3.0V$ ,  $I_{LED}=700mA$ )

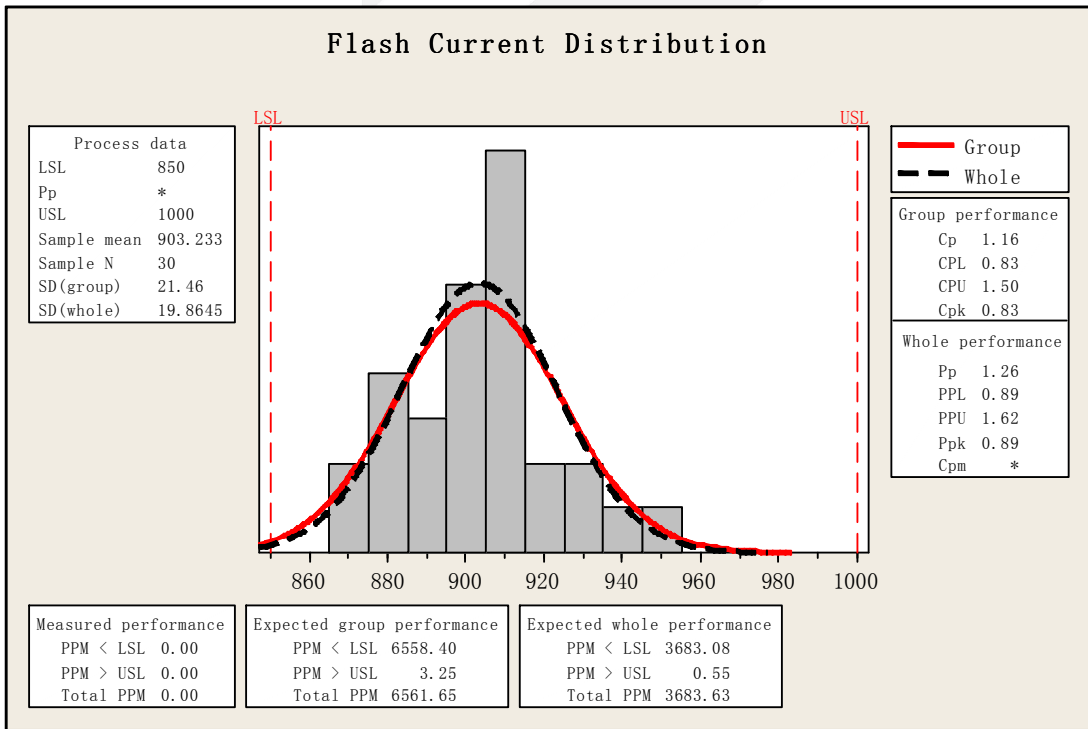


## Torch mode to Flash mode

( $V_{IN}=3.6V$ )



## Flash Current Distribution



## Typical Application

The DIO5151B can be used with multiple LEDs in parallel as shown in figure 2. For best performance, the LEDs should be in a single package, preferably from a single die to have better matching for forward voltage  $V_F$  for a given forward current  $I_F$ . In practice, if the  $V_F$  of one LED is higher than the others, it will consume a larger  $I_F$ , which will raise its temperature which will then cause its  $V_F$  to reduce, correcting the imbalance. The overall current will be the sum of the individual currents, for example  $I_{TOTAL} = 4 \times I_{LED}$ .

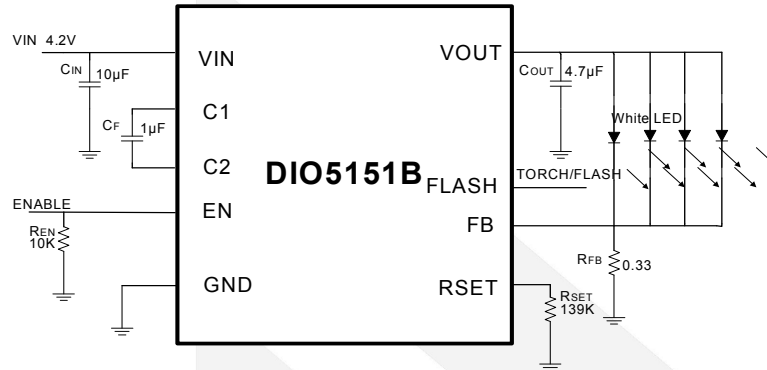


Figure 2. Multiple LEDs Flash Circuit

The DIO5151B also can be used to drive two flash LEDs in portable equipments. The schematic is shown in Figure 3.

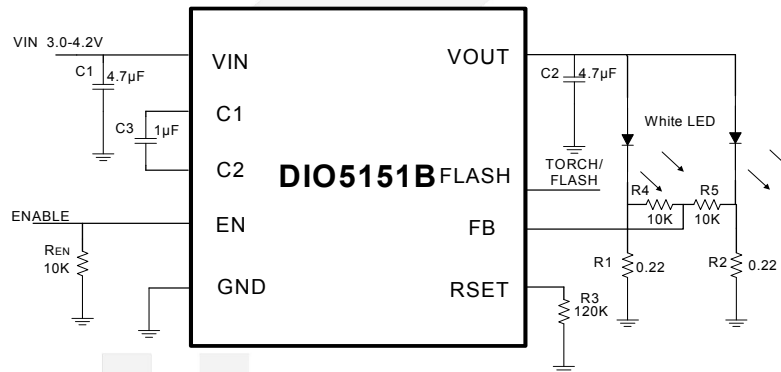


Figure 3. Two Flash LED Drive

## Application Information

The DIO5151B is a charge pump regulator designed for converting a Li-Ion battery voltage of 3V to 4.3V to drive a white LED used in digital still camera Flash and Torch applications. The DIO5151B has two modes of operation which are pin selectable for either Flash or Torch. Both modes can be used continuously unless thermal shutdown happens. Torch is often used for several seconds in a digital still camera "movie" mode.

The DIO5151B also has two modes of operation to control the output current: the 1× mode and 2× mode. Operation begins after the enable pin EN receives a logic high, the band-gap reference wakes up after 50µs, and then DIO5151B goes through a soft-start mode designed to reduce inrush current. The DIO5151B starts in the 1× mode, which acts like a linear regulator to control the output current by continuously monitoring the feedback pin FB. In 1× mode, if the DIO5151B auto detects a dropout condition, which is when the FB pin is below the regulation point for more than 15µs, the DIO5151B automatically switches to the 2× mode. The DIO5151B remains in the 2× mode until one of four things happens:

- 1) The enable pin EN has been toggled.
- 2) The Flash pin has changed from high to low.
- 3)  $V_{IN}$  is cycled or  $V_{IN}$  is at least 1V above  $V_{OUT}$ .
- 4) A thermal fault occurs.

The 2× mode is the charge pump mode where the output can be pumped as high as two times the input voltage, provided the output does not exceed the maximum voltage for the DIO5151B, which is internally limited to about 5.5V. In the 2× mode, as in the 1× mode, the output current is regulated by the voltage at the FB pin. In the Torch mode, (Flash = “GND”) the Flash pin is set to logic low and the DIO5151B FB pin regulates to 47mV output:

$$V_{FB} = 47\text{mV (Torch Mode)}$$

When in Flash mode, (Flash = “High”), the FB regulation voltage is set by the resistor  $R_{SET}$  connected between the  $R_{SET}$  pin and SGND and the equation:

$$V_{FB} = (1.26\text{V} / R_{SET}) \times 10.2\text{K}\Omega \text{ (Flash Mode)}$$

Where 1.26V is the internal band-gap reference voltage and 10.2K $\Omega$  is an internal resistance used to scale the  $R_{SET}$  current. Typical values of  $R_{SET}$  are 42K $\Omega$  to 170K $\Omega$  for a range of  $V_{FB} = 300\text{mV}$  to 75mV in Flash mode. The output current is then set in either Flash or Torch mode by the equation:

$$I_{OUT} = V_{FB} / R_{SENSE}$$

### Over temperature Protection

When the temperature of DIO5151B rises above 145°C, the over temperature protection circuitry turns off the output switches to prevent damage to the device. If the temperature drops back down below 130°C, the part automatically recovers and executes a soft start cycle.

### Overvoltage Protection

The DIO5151B has over voltage protection. If the output voltage rises above the 5.5V threshold, the over voltage protection shuts off all of the output switches to prevent the output voltage from rising further. When the output decreases below 5.2V, the device resumes normal operation.

### Over-current Protection

The over current protection circuitry monitors the average current out of the  $V_{OUT} = 47\text{mV}$  (Torch Mode) pin. If the average output current exceeds approximately 700mA/1A, then the over current protection circuitry shuts off the output switches to protect the chip.

### Component Selection

The DIO5151B charge pump circuit requires 3 capacitors: 4.7 $\mu\text{F}$  input, 1 $\mu\text{F}$  output and 1 $\mu\text{F}$  flying capacitors are typically recommended. For the input capacitor, a larger value of 10 $\mu\text{F}$  will help reduce input voltage ripple for applications sensitive to ripple on the battery voltage. All the capacitors should be surface mount ceramic for low lead inductance necessary at the 2MHz switching frequency of the DIO5151B and to obtain low ESR, which improves bypassing on the input and output and improves output voltage drive by reducing output resistance. Ceramic capacitors with X5R or X7R temperature grade are recommended for most applications.

The input and output capacitors should be located as close to the  $V_{IN}$  and  $V_{OUT}$  pins as possible to obtain best bypassing, and the returns should be connected directly to the GND pin or to the thermal pad ground located



under the DIO5151B. The flying capacitor should be located as close to the C1 and C2 pins as possible. To obtain lower output ripple, the  $C_{OUT}$  value can be increased from  $1\mu F$  to  $2.2\mu F$  or  $4.7\mu F$  with a corresponding decrease in output ripple. For output currents of 500mA to 700mA/1A, the recommended  $C_F$  flying capacitor value of  $1\mu F$  should be used. Output currents in Flash of 100mA to 400mA can use a  $0.47\mu F$   $C_F$  but a minimum  $1\mu F$   $C_{OUT}$  is still needed.

## Resistor Selection

The sense resistor  $R_{SENSE}$  is determined by the value needed in the Torch mode for the desired output current by the equation:

$$R_{SENSE} = V_{FB} / I_{OUT} \text{ where } V_{FB} = 47mV \text{ (Torch Mode)}$$

Once the  $R_{SENSE}$  resistor has been selected for Torch mode, the  $V_{FB}$  voltage can be selected for Flash mode using the following equation:

$$V_{FB} = I_{OUT} \times R_{SENSE} \text{ (Flash Mode) where } I_{OUT} \text{ is for Flash Mode.}$$

Next, the  $R_{SET}$  resistor can be selected for Flash mode using the following equation:

$$R_{SET} = (1.26V / V_{FB}) \times 10.2K\Omega \text{ (Flash Mode)}$$

For an example of 190mA Torch mode and 600mA Flash mode, the values  $R_{SENSE} = 0.25\Omega$ ,  $V_{FB} = 150mV$  (Flash Mode), and  $R_{SET} = 86.6K\Omega$  are calculated. The power obtained in the Flash mode would be:

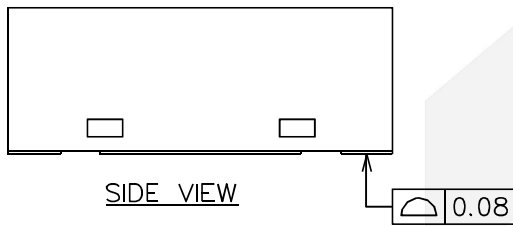
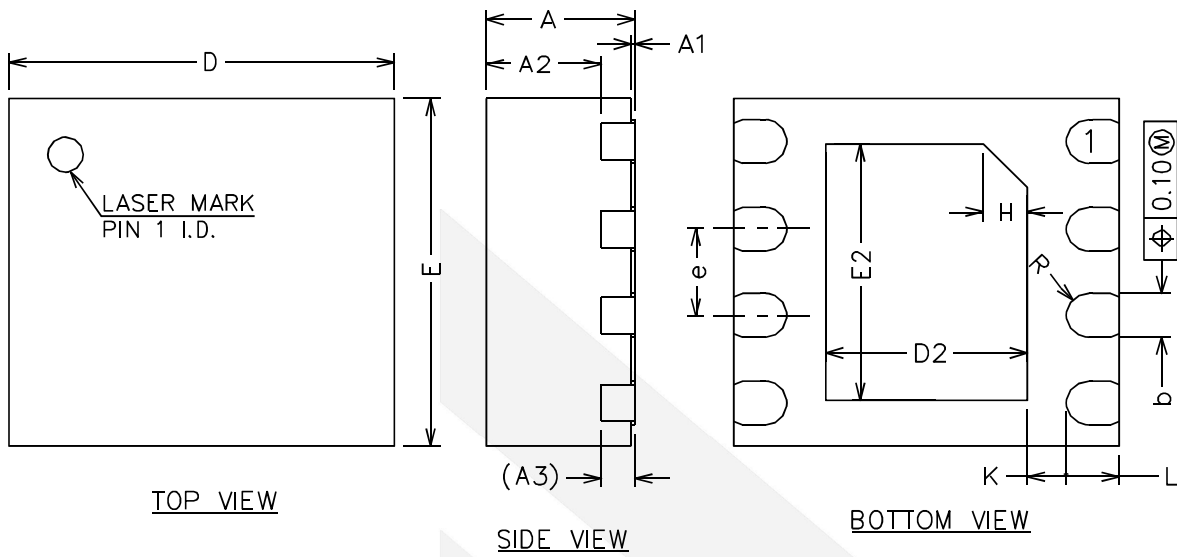
$$P_{FLASH} = V_{FB} \times I_{OUT} = 150mV \times 600mA = 90mW.$$

The typical 0603 surface mount resistor is rated 1/10 Watt continuous power and 1/5 Watt pulsed power, more than enough for this application. For other applications, the  $P_{FLASH}$  power can be calculated and resistor size selected. The  $R_{SENSE}$  resistor is recommended to be size 0603 for most applications. The range of typical resistor values and sizes are shown here in Table 1.

**Table 1: Resistor values and sizes**

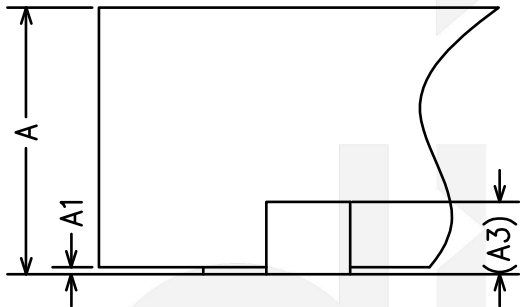
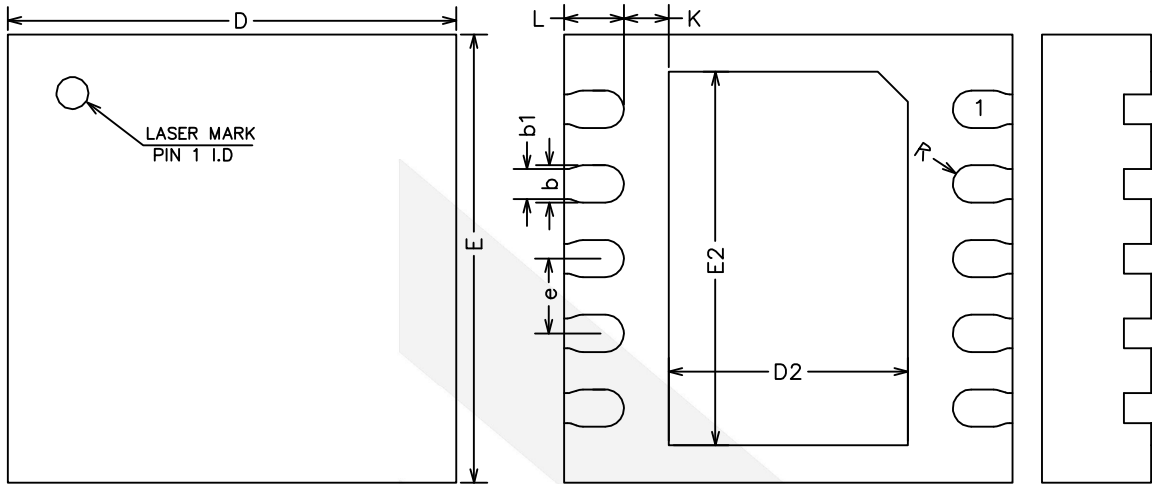
PART REFERENCE	VALUE	TOLERANCE	SIZE	MANUFACTURERS
R <sub>SET</sub>	68KΩ	1%	0402	any
R <sub>SET</sub>	75KΩ	1%	0402	any
R <sub>SET</sub>	82KΩ	1%	0402	any
R <sub>SET</sub>	91KΩ	1%	0402	any
R <sub>SET</sub>	100KΩ	1%	0402	any
R <sub>SET</sub>	110KΩ	1%	0402	any
R <sub>SET</sub>	120KΩ	1%	0402	any
R <sub>SET</sub>	130KΩ	1%	0402	any
R <sub>SET</sub>	140KΩ	1%	0402	any
R <sub>SET</sub>	150KΩ	1%	0402	any
R <sub>SENSE</sub>	0.22Ω	1%	0603	Panasonic or Vishay
R <sub>SENSE</sub>	0.27Ω	1%	0603	Panasonic or Vishay
R <sub>SENSE</sub>	0.33Ω	1%	0603	Panasonic or Vishay
R <sub>SENSE</sub>	0.39Ω	1%	0603	Panasonic or Vishay
R <sub>SENSE</sub>	0.47Ω	1%	0603	Panasonic or Vishay

## Physical Dimensions: DFN2\*2.2-8



COMMON DIMENSIONS (UNITS OF MEASURE=MILLIMETER)			
Symbol	MIN	NOM	MAX
A	0.8	0.85	0.90
A1	0	0.02	0.05
A2	0.6	0.65	0.70
A3	0.20REF		
b	0.2	0.25	0.3
D	2.10	2.20	2.30
E	1.90	2.00	2.10
D2	1.05	1.15	1.25
E2	1.38	1.48	1.58
e	0.40	0.50	0.60
H	0.25REF		
K	0.125	0.225	0.325
L	0.25	0.30	0.35
R	0.11	-	-

## Physical Dimensions: DFN3\*3-10



COMMON DIMENSIONS (UNITS OF MEASURE=MILLIMETER)			
Symbol	MIN	NOM	MAX
A	0.70	0.75	0.80
A1	0	0.02	0.05
A3	0.20REF		
b	0.20	0.25	0.30
b1	0.20REF		
D	2.90	3.00	3.10
E	2.90	3.00	3.10
D2	1.50	1.60	1.70
E2	2.40	2.50	2.60
e	0.40	0.50	0.60
K	0.20	-	-
L	0.30	0.40	0.50
R	0.13	-	-



## DIO5151B

700mA/1A Buck/Boost Charge Pump LED Driver

### CONTACT US

Dioo is a professional design and sales corporation for high-quality and performance analog semiconductors. The company focuses on industry markets, such as, cell phone, handheld products, laptop, and medical equipment and so on. Dioo's product families include analog signal processing and amplifying, LED drivers and charger IC. Go to <http://www.dioo.com> for a complete list of Dioo product families.

For additional product information, or full datasheet, please contact with our Sales Department or Representatives.

