

# HCPL-5150 and HCPL-5151, DLA SMD 5962-04205<sup>1</sup>



## 0.5-Amp Output Current IGBT Gate Drive Hermetic Optocoupler

### Data Sheet

#### Description

The HCPL-515x contains a GaAsP LED optically coupled to an integrated circuit with a power output stage. The device is ideally suited for driving power IGBTs and MOSFETs used in motor control inverter applications. The high operating voltage range of the output stage provides the drive voltages required by gate controlled devices. The voltage and current supplied by this optocoupler makes it ideally suited for directly driving IGBTs with ratings up to 1200V/50A. For IGBTs with higher ratings, the HCPL-515x can be used to drive a discrete power stage, which drives the IGBT gate.

The products are capable of operation and storage over the full military temperature range and can be purchased as either Commercial product, with full MIL-PRF-38534 Class H testing, or from Defense Supply Center Columbus (DLA) Standard Microcircuit Drawing (SMD) 5962-04205. All devices are manufactured and tested on a MIL-PRF-38534 certified line, and Class H devices are included in the DLA Qualified Manufacturers List, QML-38534 for Hybrid Microcircuits.

**CAUTION** It is advised that normal static precautions be taken in handling and assembly of this component to prevent damage and/or degradation which may be induced by ESD.

1. See [Selection Guide — Lead Configuration Options](#) for available extensions.

#### Features

- Performance Guaranteed over Full Military Temperature Range:  $-55^{\circ}\text{C}$  to  $+125^{\circ}\text{C}$
- Manufactured and tested on a MIL-PRF-38534 certified line
- Hermetically sealed packages
- Dual marked with device part number and DLA Standard Microcircuit Drawing (SMD)
- QML-38534
- HCPL-3150 function compatibility
- 0.5A minimum peak output current
- 10 kV/ $\mu\text{s}$  minimum common mode rejection (CMR) at  $V_{\text{CM}} = 1000\text{V}$
- 1.0V maximum low level output voltage ( $V_{\text{OL}}$ ) eliminates need for negative gate drive
- $I_{\text{CC}} = 5\text{ mA}$  maximum supply current
- Undervoltage lock-out protection (UVLO) with hysteresis
- Wide operating  $V_{\text{CC}}$  range: 15V to 30V
- 500-ns maximum propagation delay
- $\pm 0.35\text{-ms}$  maximum delay between devices

#### Applications

- Industrial and military environments
- High reliability systems
- Harsh industrial environments
- Transportation, medical, and life critical systems
- Isolated IGBT/MOSFET gate drive
- AC and brushless DC motor drives
- Industrial inverters
- Switch mode power supplies (SMPS)
- Uninterruptible power supplies (UPS)

## Schematic Diagram



## Truth Table

| LED | $V_{CC} - V_{EE}$                 |                                    | $V_o$      |
|-----|-----------------------------------|------------------------------------|------------|
|     | Positive Going<br>(i.e., Turn-ON) | Negative Going<br>(i.e., Turn-OFF) |            |
| OFF | 0V to 30V                         | 0V to 30V                          | LOW        |
| ON  | 0V to 11V                         | 0V to 9.5V                         | LOW        |
| ON  | 11V to 13.5V                      | 9.5V to 12V                        | TRANSITION |
| ON  | 13.5V to 30V                      | 12V to 30V                         | HIGH       |

**NOTE** A 0.1- $\mu$ F bypass capacitor must be connected between pins 5 and 8.

## Selection Guide — Lead Configuration Options

| Part Number and Options          |                         |
|----------------------------------|-------------------------|
| Commercial                       | HCPL-5150               |
| MIL-PRF-38534, Class H           | HCPL-5151               |
| Standard Lead Finish             | Gold Plate <sup>a</sup> |
| Solder Dipped <sup>b</sup>       | Option -200             |
| Butt Cut/Gold Plate <sup>a</sup> | Option -100             |
| Gull Wing/Soldered <sup>b</sup>  | Option -300             |
| SMD Part Number                  |                         |
| Prescript for all below          | 5962-                   |
| Gold Plate <sup>a</sup>          | 0420501HPC              |
| Solder Dipped <sup>b</sup>       | 0420501HPA              |
| Butt Cut/Gold Plate <sup>a</sup> | 0420501HYC              |
| Butt Cut/Soldered <sup>b</sup>   | 0420501HYA              |
| Gull Wing/Soldered <sup>b</sup>  | 0420501HXA              |

- a. Gold Plate lead finish: Maximum gold thickness of leads is <100 micro inches. Typical is 60 to 90 micro inches.
- b. Solder lead finish: Sn63/Pb37.

## Outline Drawing

### 8-Pin DIP Through Hole



NOTE: DIMENSIONS IN MILLIMETERS (INCHES).

## Device Marking



## Hermetic Optocoupler Options

| Option | Description   |
|--------|---|
| 100    | <p>Surface-mountable hermetic optocoupler with leads trimmed for butt joint assembly. This option is available on Commercial, Class H product.</p>  <p>NOTE: DIMENSIONS IN MILLIMETERS (INCHES).</p>  |
| 200    | <p>Lead finish is solder dipped rather than gold plated. This option is available on Commercial, Class H product. DLA Drawing (SMD) part numbers contain provisions for lead finish.</p>  |
| 300    | <p>Surface-mountable hermetic optocoupler with leads cut and bent for gull wing assembly. This option is available on Commercial, Class H product. This option has solder-dipped leads.</p>  <p>NOTE: DIMENSIONS IN MILLIMETERS (INCHES).</p> |

## Absolute Maximum Ratings

| Parameter   | Symbol                 | Min | Max         | Unit | Notes |
|---|------------------------|-----|-------------|------|-------|
| Storage Temperature   | $T_S$                  | -65 | +150        | °C   |       |
| Operating Temperature   | $T_A$                  | -55 | +125        | °C   |       |
| Case Temperature  | $T_C$                  | —   | +145        | °C   |       |
| Junction Temperature  | $T_J$                  | —   | +150        | °C   |       |
| Lead Solder Temperature   |                        | —   | 260 for 10s | °C   |       |
| Average Input Current   | $I_{F\text{ AVG}}$     | —   | 25          | mA   | a     |
| Peak Transient Input Current<br>( $<1\text{-}\mu\text{s}$ pulse width, 300 pps) | $I_{F\text{ PK}}$      | —   | 1.0         | A    |       |
| Reverse Input Voltage   | $V_R$                  | —   | 5           | V    |       |
| High Peak Output Current  | $I_{OH\text{ (PEAK)}}$ | —   | 0.6         | A    | b     |
| Low Peak Output Current   | $I_{OL\text{ (PEAK)}}$ | —   | 0.6         | A    | b     |
| Supply Voltage  | $(V_{CC} - V_{EE})$    | 0   | 35          | V    |       |
| Output Voltage  | $V_{O\text{ (PEAK)}}$  | 0   | $V_{CC}$    | V    |       |
| Input Power Dissipation   | $P_E$                  | —   | 45          | mW   | a     |
| Output Power Dissipation  | $P_O$                  | —   | 250         | mW   | c     |
| Total Power Dissipation   | $P_T$                  | —   | 295         | mW   | d     |

- No derating required with the typical case-to-ambient thermal resistance ( $\theta_{CA} = 140^\circ\text{C/W}$ ). Refer to [Figure 35](#).
- Maximum pulse width = 10  $\mu\text{s}$ , maximum duty cycle = 0.2%. This value is intended to allow for component tolerances for designs with  $I_O$  peak minimum = 0.5A. See [Applications Information](#) for additional details on limiting  $I_{OH}$  peak.
- Derate linearly above 102°C free air temperature at a rate of 6 mW/°C with the typical case-to-ambient thermal resistance ( $\theta_{CA} = 140^\circ\text{C/W}$ ). Refer to [Figure 36](#).
- Derate linearly above 102°C free air temperature at a rate of 6 mW/°C with the typical case-to-ambient thermal resistance ( $\theta_{CA} = 140^\circ\text{C/W}$ ). Refer to [Figure 35](#) and [Figure 36](#).

## ESD Classification

|                          |            |
|--------------------------|------------|
| MIL-STD-883, Method 3015 | ▲, Class 1 |
|--------------------------|------------|

## Recommended Operating Conditions

| Parameter             | Symbol               | Min  | Max | Unit |
|-----------------------|----------------------|------|-----|------|
| Power Supply Voltage  | $(V_{CC} - V_{EE})$  | 15   | 30  | V    |
| Input Current (ON)    | $I_{F\text{ (ON)}}$  | 10   | 18  | mA   |
| Input Voltage (OFF)   | $V_{F\text{ (OFF)}}$ | -3.0 | 0.8 | V    |
| Operating Temperature | $T_A$                | -55  | 125 | °C   |

## Electrical Specifications (DC)

Over recommended operating conditions ( $T_A = -55^\circ\text{C}$  to  $+125^\circ\text{C}$ ,  $I_{F(ON)} = 10\text{ mA}$  to  $18\text{ mA}$ ,  $V_{F(OFF)} = -3.0\text{V}$  to  $0.8\text{V}$ ,  $V_{CC} = 15\text{V}$  to  $30\text{V}$ ,  $V_{EE} = \text{Ground}$ ) unless otherwise specified.

| Parameter                                  | Symbol                  | Test Conditions  | Group A Subgroups <sup>a</sup> | Limits         |                  |      | Unit  | Fig.      | Notes |
|--|-------------------------|--|--------------------------------|----------------|------------------|------|-------|-----------|-------|
|  |                         |  |                                | Min            | Typ <sup>b</sup> | Max  |       |           |       |
| High Level Output Current                  | $I_{OH}$                | $V_O = (V_{CC} - 4\text{V})$                           | 1, 2, 3                        | 0.1            | 0.4              | —    | A     | 2, 3, 17  | c     |
|  |                         | $V_O = (V_{CC} - 15\text{V})$                          |                                | 0.5            | —                | —    |       |           | d     |
| Low Level Output Current                   | $I_{OL}$                | $V_O = (V_{EE} + 2.5\text{V})$                         | 1, 2, 3                        | 0.1            | 0.6              | —    | A     | 5, 6, 18  | c     |
|  |                         | $V_O = (V_{EE} + 15\text{V})$                          |                                | 0.5            | —                | —    |       |           | d     |
| High Level Output Voltage                  | $V_{OH}$                | $I_O = -100\text{ mA}$                                 | 1, 2, 3                        | $(V_{CC} - 4)$ | $(V_{CC} - 3)$   | —    | V     | 1, 3, 19  | e, f  |
| Low Level Output Voltage                   | $V_{OL}$                | $I_O = 100\text{ mA}$                                  | 1, 2, 3                        | —              | 0.4              | 1.0  | V     | 4, 6, 20  |       |
| High Level Supply Current                  | $I_{CCH}$               | Output Open,<br>$I_F = 10\text{ mA}$ to $18\text{ mA}$ | 1, 2, 3                        | —              | 2.5              | 5.0  | mA    | 7, 8      |       |
| Low Level Supply Current                   | $I_{CCL}$               | Output Open,<br>$V_F = -3.0\text{V}$ to $+0.8\text{V}$ | 1, 2, 3                        | —              | 2.7              | 5.0  | mA    |           |       |
| Threshold Input Current Low to High        | $I_{FLH}$               | $I_O = 0\text{ mA}$ ,<br>$V_O > 5\text{V}$             | 1, 2, 3                        | —              | 2.6              | 9.0  | mA    | 9, 15, 21 |       |
| Threshold Input Voltage High to Low        | $V_{FHL}$               |  | 1, 2, 3                        | 0.8            | —                | —    | V     |           |       |
| Input Forward Voltage                      | $V_F$                   | $I_F = 10\text{ mA}$                                   | 1, 2, 3                        | 1.2            | 1.5              | 1.8  | V     | 16        |       |
| Temperature Coefficient of Forward Voltage | $\Delta V_F/\Delta T_A$ | $I_F = 10\text{ mA}$                                   |                                | —              | -1.6             | —    | mV/°C |           |       |
| Input Reverse Breakdown Voltage            | $BV_R$                  | $I_R = 10\ \mu\text{A}$                                | 1, 2, 3                        | 5              | —                | —    | V     |           |       |
| Input Capacitance                          | $C_{IN}$                | $f = 1\text{ MHz}$ ,<br>$V_F = 0\text{ V}$             |                                | —              | 80               | —    | pF    |           |       |
| UVLO Threshold                             | $V_{UVLO+}$             | $V_O > 5\text{ V}$ ,<br>$I_F = 10\text{ mA}$           | 1, 2, 3                        | 11.0           | 12.3             | 13.5 | V     | 22, 37    |       |
|  | $V_{UVLO-}$             |  | 1, 2, 3                        | 9.5            | 10.7             | 12.0 |       |           |       |
| UVLO Hysteresis                            | $UVLO_{HYS}$            |  |                                | —              | 1.6              | —    |       |           |       |

- Commercial parts receive 100% testing at  $25^\circ\text{C}$  (Subgroups 1 and 9). SMD and Class H parts receive 100% testing at  $25^\circ\text{C}$ ,  $125^\circ\text{C}$ , and  $-55^\circ\text{C}$  (Subgroups 1 and 9, 2 and 10, 3 and 11, respectively).
- All typical values at  $T_A = 25^\circ\text{C}$  and  $V_{CC} - V_{EE} = 30\text{V}$ , unless otherwise noted.
- Maximum pulse width =  $50\ \mu\text{s}$ , maximum duty cycle = 0.5%.
- Maximum pulse width =  $10\ \mu\text{s}$ , maximum duty cycle = 0.2%. This value is intended to allow for component tolerances for designs with  $I_O$  peak minimum = 0.5A. See [Applications Information](#) for additional details on limiting  $I_{OH}$  peak.
- In this test,  $V_{OH}$  is measured with a dc load current. When driving capacitive loads,  $V_{OH}$  approaches  $V_{CC}$  as  $I_{OH}$  approaches zero amps.
- Maximum pulse width = 1 ms, maximum duty cycle = 20%.

## Switching Specifications (AC)

Over recommended operating conditions ( $T_A = -55^\circ\text{C}$  to  $+125^\circ\text{C}$ ,  $I_{F(ON)} = 10\text{ mA}$  to  $18\text{ mA}$ ,  $V_{F(OFF)} = -3.0\text{V}$  to  $0.8\text{V}$ ,  $V_{CC} = 15\text{V}$  to  $30\text{V}$ ,  $V_{EE} = \text{Ground}$ ) unless otherwise specified.

| Parameter  | Symbol                         | Test Conditions  | Group A Subgroups <sup>a</sup> | Limits |                  |      | Unit                    | Fig.                      | Notes                   |
|--|--------------------------------|--|--------------------------------|--------|------------------|------|-------------------------|---------------------------|-------------------------|
|  |                                |  |                                | Min    | Typ <sup>b</sup> | Max  |                         |                           |                         |
| Propagation Delay Time to High Output Level        | $t_{PLH}$                      | $R_g = 47\Omega$ ,<br>$C_g = 3\text{ nF}$ ,<br>$f = 10\text{ kHz}$ ,<br>Duty Cycle = 50%           | 9, 10, 11                      | 0.10   | 0.30             | 0.50 | $\mu\text{s}$           | 10, 11, 12,<br>13, 14, 23 | c                       |
| Propagation Delay Time to Low Output Level         | $t_{PHL}$                      |  | 9, 10, 11                      | 0.10   | 0.30             | 0.50 | $\mu\text{s}$           |                           |                         |
| Pulse Width Distortion                             | PWD                            |  | 9, 10, 11                      | —      | —                | 0.3  | $\mu\text{s}$           |                           | d                       |
| Propagation Delay Difference Between Any Two Parts | PDD<br>( $t_{PHL} - t_{PLH}$ ) |  | 9, 10, 11                      | —      | —                | 0.35 | $\mu\text{s}$           | 33, 34                    | e                       |
| Rise Time  | $t_r$                          |  |                                |        | —                | 0.1  | $\mu\text{s}$           | 23                        |                         |
| Fall Time  | $t_f$                          |  |                                |        | —                | 0.1  | $\mu\text{s}$           |                           |                         |
| UVLO Turn On Delay                                 | $t_{UVLO\ ON}$                 | $V_O > 5\text{V}$ , $I_F = 10\text{ mA}$   |                                | —      | 0.8              | —    | $\mu\text{s}$           | 22                        |                         |
| UVLO Turn Off Delay                                | $t_{UVLO\ OFF}$                | $V_O < 5\text{V}$ , $I_F = 10\text{ mA}$   |                                | —      | 0.6              | —    |                         |                           |                         |
| Output High-Level Common Mode Transient Immunity   | $ CM_H $                       | $I_F = 10\text{ mA}$ , $V_{CC} = 30\text{V}$<br>$V_{CM} = 1000\text{V}$ , $T_A = 25^\circ\text{C}$ | 9                              | 10     | —                | —    | $\text{kV}/\mu\text{s}$ | 24                        | f, g, h                 |
| Output Low-Level Common Mode Transient Immunity    | $ CM_L $                       | $V_{CM} = 1000\text{V}$ , $V_F = 0\text{V}$ ,<br>$V_{CC} = 30\text{V}$ , $T_A = 25^\circ\text{C}$  | 9                              | 10     | —                | —    |                         |                           | $\text{kV}/\mu\text{s}$ |

- Commercial parts receive 100% testing at  $25^\circ\text{C}$  (Subgroups 1 and 9). SMD and Class H parts receive 100% testing at  $25^\circ\text{C}$ ,  $125^\circ\text{C}$ , and  $-55^\circ\text{C}$  (Subgroups 1 and 9, 2 and 10, 3 and 11, respectively).
- All typical values at  $T_A = 25^\circ\text{C}$  and  $V_{CC} - V_{EE} = 30\text{V}$ , unless otherwise noted.
- This load condition approximates the gate load of a 1200V/25A IGBT.
- Pulse Width Distortion (PWD) is defined as  $|t_{PHL} - t_{PLH}|$  for any given device.
- The difference between  $t_{PHL}$  and  $t_{PLH}$  between any two HCPL-5150 parts under the same test condition.
- Pins 1 and 4 need to be connected to LED common.
- Common mode transient immunity in the high state is the maximum tolerable  $|dV_{CM}/dt|$  of the common mode pulse,  $V_{CM}$ , to assure that the output remains in the high state (i.e.,  $V_O > 15.0\text{V}$ ).
- Parameters are tested as part of device initial characterization and after design and process changes. Parameters are guaranteed to limits specified for all lots not specifically tested.
- Common mode transient immunity in a low state is the maximum tolerable  $|dV_{CM}/dt|$  of the common mode pulse,  $V_{CM}$ , to assure that the output remains in a low state (i.e.,  $V_O < 1.0\text{V}$ ).

## Package Characteristics

Over recommended operating conditions ( $T_A = -55^\circ\text{C}$  to  $+125^\circ\text{C}$ ) unless otherwise specified.

| Parameter                    | Symbol    | Test Conditions   | Group A Subgroups <sup>a</sup> | Limits |                  |     | Unit          | Fig. | Notes |
|------------------------------|-----------|---|--------------------------------|--------|------------------|-----|---------------|------|-------|
|                              |           |   |                                | Min    | Typ <sup>b</sup> | Max |               |      |       |
| Input-Output Leakage Current | $I_{I-O}$ | $V_{I-O} = 1500\text{ Vdc}$ RH $\leq 65\%$ ,<br>$t = 5\text{ s}$ , $T_A = 25^\circ\text{C}$ | 1                              | —      | —                | 1.0 | $\mu\text{A}$ |      | c, d  |
| Resistance (Input-Output)    | $R_{I-O}$ | $V_{I-O} = 500\text{ Vdc}$  |                                | —      | $10^{10}$        | —   | $\Omega$      |      | d     |
| Capacitance (Input-Output)   | $C_{I-O}$ | $f = 1\text{ MHz}$  |                                | —      | 2.34             | —   | pF            |      | d     |

- Commercial parts receive 100% testing at  $25^\circ\text{C}$  (Subgroups 1 and 9). SMD and Class H parts receive 100% testing at  $25^\circ\text{C}$ ,  $125^\circ\text{C}$  and  $-55^\circ\text{C}$  (Subgroups 1 and 9, 2 and 10, 3 and 11, respectively).
- All typical values at  $T_A = 25^\circ\text{C}$  and  $V_{CC} - V_{EE} = 30\text{V}$ , unless otherwise noted.
- This is a momentary withstand test, not an operating condition.
- Device considered a two-terminal device: pins on input side shorted together and pins on output side shorted together.

Figure 1  $V_{OH}$  vs. Temperature



Figure 2  $I_{OH}$  vs. Temperature



Figure 3  $V_{OH}$  vs.  $I_{OH}$



Figure 4  $V_{OL}$  vs. Temperature

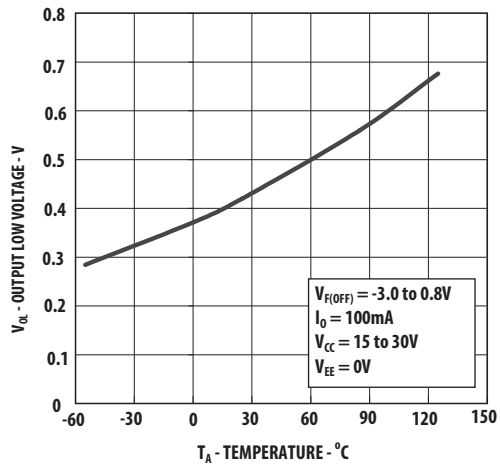


Figure 5  $I_{OL}$  vs. Temperature



Figure 6  $V_{OL}$  vs.  $I_{OL}$





Figure 7  $I_{CC}$  vs. Temperature



Figure 8  $I_{CC}$  vs.  $V_{CC}$



Figure 9  $I_{FLH}$  vs. Temperature



Figure 10 Propagation Delay vs.  $V_{CC}$



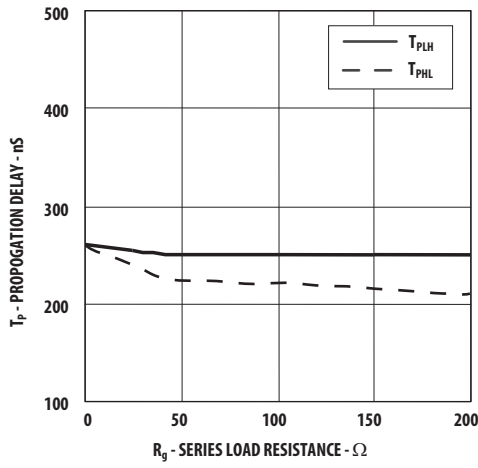
Figure 11 Propagation Delay vs.  $I_F$



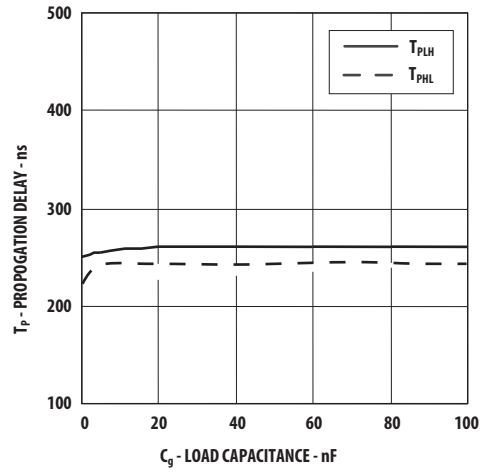
Figure 12 Propagation Delay vs. Temperature



**Figure 13 Propagation Delay vs.  $R_g$**



**Figure 14 Propagation Delay vs.  $C_g$**



**Figure 15 Transfer Characteristics**



**Figure 16 Input Current vs. Forward Voltage**



**Figure 17  $I_{OH}$  Test Circuit**



**Figure 18  $I_{OL}$  Test Circuit**



**Figure 19  $V_{OH}$  Test Circuit**



**Figure 20  $V_{OL}$  Test Circuit**



**Figure 21  $I_{FLH}$  Test Circuit**



**Figure 22 UVLO Test Circuit**



**Figure 23**  $t_{PLH}$ ,  $t_{PHL}$ ,  $t_r$ , and  $t_f$  Test Circuit and Waveforms



**Figure 24** CMR Test Circuit and Waveforms



## Applications Information

### Eliminating Negative IGBT Gate Drive

To keep the IGBT firmly off, the HCPL-515x has a very low maximum  $V_{OL}$  specification of 1.0V. The HCPL-515x realizes this very low  $V_{OL}$  by using a DMOS transistor with  $4\Omega$  (typical) on resistance in its pull down circuit. When the HCPL-515x is in the low state, the IGBT gate is shorted to the emitter by  $R_g + 4\Omega$ . Minimizing  $R_g$  and the lead inductance from the HCPL-515x to the IGBT gate and emitter (possibly by mounting the HCPL-515x on a small PC board directly above the IGBT) can eliminate the need for negative IGBT gate drive in many applications as shown in Figure 25. Care should be taken with such a PC board design to avoid routing the IGBT collector or emitter traces close to the HCPL-515x input, as this can result in unwanted coupling of transient signals into the HCPL-515x and degrade performance. (If the IGBT drain must be routed near the HCPL-515x input, then the LED should be reverse-biased when in the off state, to prevent the transient signals coupled from the IGBT drain from turning on the HCPL-515x.)

### Selecting the Gate Resistor ( $R_g$ ) to Minimize IGBT Switching Losses

#### Step 1: Calculate $R_g$ Minimum from the $I_{OL}$ Peak Specification.

The IGBT and  $R_g$  in Figure 26 can be analyzed as a simple RC circuit with a voltage supplied by the HCPL-515x.

$$\begin{aligned} R_g &= \frac{(V_{CC} - V_{EE} - V_{OL})}{I_{OLPEAK}} \\ &= \frac{(V_{CC} - V_{EE} - 1.7V)}{I_{OLPEAK}} \\ &= \frac{(15V + 5V - 1.7V)}{0.6A} \\ &= 30.5\Omega \end{aligned}$$

The  $V_{OL}$  value of 2V in the previous equation is a conservative value of  $V_{OL}$  at the peak current of 0.6A (see Figure 6). At lower  $R_g$  values, the voltage supplied by the HCPL-515x is not an ideal voltage step. This results in lower peak currents (more margin) than predicted by this analysis. When negative gate drive is not used,  $V_{EE}$  in the previous equation is equal to zero volts.

#### Step 2: Check the HCPL-515x Power Dissipation and Increase $R_g$ if Necessary.

The HCPL-515x total power dissipation ( $P_T$ ) is equal to the sum of the emitter power ( $P_E$ ) and the output power.

$$\begin{aligned} P_T &= P_E + P_O \\ P_E &= I_F \times V_F \times \text{Duty Cycle} \\ P_O &= P_{O(BIAS)} + P_{O(SWITCHING)} \\ &= I_{CC} \times (V_{CC} - V_{EE}) \\ &\quad + E_{SW}(R_g, Q_g) \times f \end{aligned}$$

( $P_O$ ):

For the circuit in Figure 26 with  $I_F$  (worst case) = 18 mA:

$$\begin{aligned} P_E &= 18 \text{ mA} \times 1.8V \times 0.8 = 26 \text{ mW} \\ P_O &= 4.25 \text{ mA} \times 20V + 2.0 \mu\text{J} \times 20 \text{ kHz} \\ &= 85 \text{ mW} + 40 \text{ mW} \\ &= 125 \text{ mW} \\ &> 112 \text{ mW } (P_{O(MAX)} \text{ at } 125^\circ\text{C} = \\ &\quad 250 \text{ mW} - 23^\circ\text{C} \times 6 \text{ mW}/^\circ\text{C}) \end{aligned}$$

$R_g = 30.5\Omega$ , Max Duty Cycle = 80%,  $Q_g = 250 \text{ nC}$ ,  $f = 20 \text{ kHz}$  and  $T_A \text{ max} = 125^\circ\text{C}$ :

The value of 4.25 mA for  $I_{CC}$  in the previous equation was obtained by derating the  $I_{CC}$  max of 5 mA (which occurs at  $-55^\circ\text{C}$ ) to  $I_{CC}$  max at  $125^\circ\text{C}$ .

$$\begin{aligned} P_{O(SWITCHING MAX)} &= P_{O(MAX)} - P_{O(BIAS)} \\ &= 112 \text{ mW} - 85 \text{ mW} \\ &= 27 \text{ mW} \\ E_{SW(MAX)} &= \frac{P_{O(SWITCHING MAX)}}{f} \\ &= \frac{27 \text{ mW}}{20 \text{ kHz}} \\ &= 1.35 \mu\text{J} \end{aligned}$$

Since  $P_O$  for this case is greater than  $P_{O(MAX)}$ ,  $R_g$  must be increased to reduce the HCPL-515x power dissipation.

For  $Q_g = 250 \text{ nC}$ , from Figure 27, a value of  $E_{SW} = 1.35 \mu\text{J}$  gives a  $R_g = 90\Omega$ .

**Figure 25 Recommended LED Drive and Application Circuit**



**Figure 26 Typical Application Circuit with Negative IGBT Gate Drive**



### LED Drive Circuit Considerations for Ultra High CMR Performance

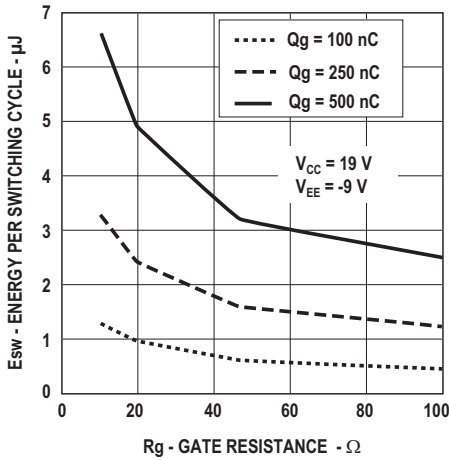
Without a detector shield, the dominant cause of optocoupler CMR failure is capacitive coupling from the input side of the optocoupler, through the package, to the detector IC as shown in [Figure 28](#).

The HCPL-515x improves CMR performance by using a detector IC with an optically transparent Faraday shield, which diverts the capacitively coupled current away from the sensitive IC circuitry. However, this shield does not eliminate the capacitive coupling between the LED and optocoupler pins 5 to 8 as shown in [Figure 29](#). This capacitive coupling causes perturbations in the LED current during common mode transients and becomes the major source of CMR failures for a shielded optocoupler. The main design objective of a high CMR LED drive circuit becomes keeping the LED in the proper state (on or off) during common mode transients. For example, the recommended application circuit, ([Figure 25](#)) can achieve 10 kV/μs CMR while minimizing component complexity. Techniques to keep the LED in the proper state are discussed in the next two sections.

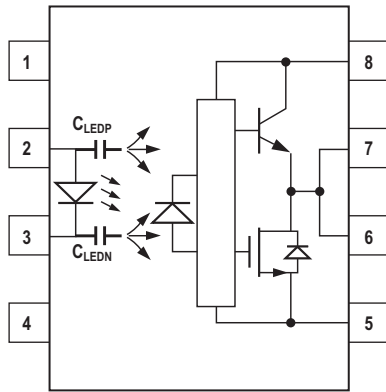
| <b>P<sub>E</sub> Parameter</b> | <b>Description</b>     |
|--------------------------------|------------------------|
| I <sub>F</sub>                 | LED Current            |
| V <sub>F</sub>                 | LED On Voltage         |
| Duty Cycle                     | Maximum LED Duty Cycle |

| <b>P<sub>O</sub> Parameter</b>                     | <b>Description</b>  |
|--|---|
| I <sub>CC</sub>                                    | Supply Current  |
| V <sub>CC</sub>                                    | Positive Supply Voltage   |
| V <sub>EE</sub>                                    | Negative Supply Voltage   |
| E <sub>SW</sub> (R <sub>g</sub> , Q <sub>g</sub> ) | Energy Dissipation in the HCPL-515x for each IGBT Switching Cycle (See <a href="#">Figure 27</a> .) |
| f  | Switching Frequency   |

**Figure 27 Energy Dissipated in the HCPL-515x for Each IGBT Switching Cycle**



**Figure 28 Optocoupler Input to Output Capacitance Model for Unshielded Optocouplers**



**Figure 29 Optocoupler Input to Output Capacitance Model for Shielded Optocouplers**



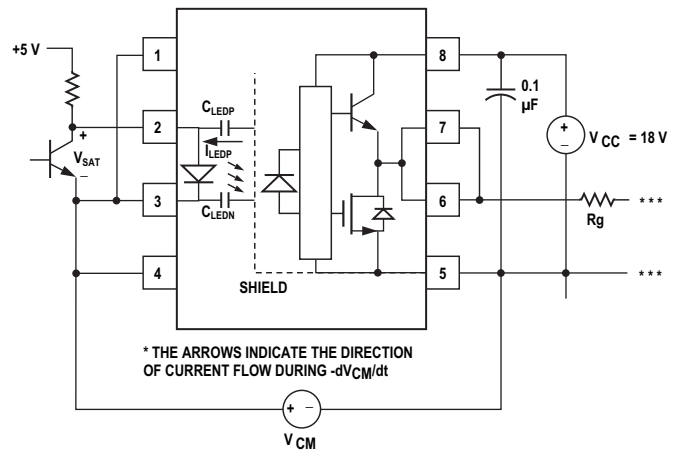
**CMR with the LED On (CMRH)**

A high CMR LED drive circuit must keep the LED on during common mode transients. This is achieved by overdriving the LED current beyond the input threshold so that it is not pulled below the threshold during a transient. A minimum LED current of 10 mA provides adequate margin over the maximum  $I_{FLH}$  of 7 mA to achieve 10 kV/μs CMR.

**CMR with the LED Off (CMRL)**

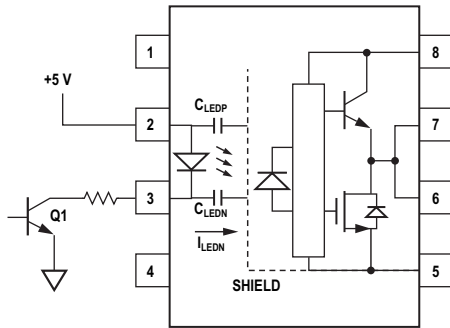
A high CMR LED drive circuit must keep the LED off ( $V_F \leq V_{F(OFF)}$ ) during common mode transients. For example, during a  $-dV_{CM}/dt$  transient in Figure 30, the current flowing through  $C_{LEDP}$  also flows through the  $R_{SAT}$  and  $V_{SAT}$  of the logic gate. As long as the low state voltage developed across the logic gate is less than  $V_{F(OFF)}$ , the LED remains off and no common mode failure occurs.

**Figure 30 Equivalent Circuit for Figure 25 During Common Mode Transient**



The open collector drive circuit, shown in Figure 31, cannot keep the LED off during a  $+dV_{CM}/dt$  transient, since all the current flowing through  $C_{LEDN}$  must be supplied by the LED, and it is not recommended for applications requiring ultra high CMR<sub>L</sub> performance. Figure 32 is an alternative drive circuit which, like the recommended application circuit (Figure 25), does achieve ultra high CMR performance by shunting the LED in the off state.

**Figure 31 Not Recommended Open Collector Drive Circuit**



**Figure 32 Recommended LED Drive Circuit for Ultra-High CMR**



## IPM Dead Time and Propagation Delay Specifications

The HCPL-515x includes a Propagation Delay Difference (PDD) specification intended to help designers minimize *dead time* in their power inverter designs. Dead time is the time period during which both the high and low side power transistors (Q1 and Q2 in Figure 25) are off. Any overlap in Q1 and Q2 conduction results in large currents flowing through the power devices between the high and low voltage motor rail.

To minimize dead time in a given design, the turn on of LED2 should be delayed (relative to the turn off of LED1) so that under worst-case conditions, transistor Q1 has just turned off when transistor Q2 turns on, as shown in Figure 33. The amount of delay necessary to achieve this condition is equal to the maximum value of the propagation delay difference specification, PDDMAX, which is specified to be 350 ns over the operating temperature range of  $-55^{\circ}\text{C}$  to  $+125^{\circ}\text{C}$ .

Delaying the LED signal by the maximum propagation delay difference ensures that the minimum dead time is zero, but it does not tell a designer what the maximum dead time will be. The maximum dead time is equivalent to the difference between the maximum and minimum propagation delay difference specifications as shown in Figure 34. The maximum

dead time for the HCPL-515x is 700 ns ( $= 350 \text{ ns} - (-350 \text{ ns})$ ) over an operating temperature range of  $-55^{\circ}\text{C}$  to  $+125^{\circ}\text{C}$ .

Note that the propagation delays used to calculate PDD and dead time are taken at equal temperatures and test conditions since the optocouplers under consideration are typically mounted in close proximity to each other and are switching identical IGBTs.

**Figure 33 Minimum LED Skew for Zero Dead Time**



**Figure 34 Waveforms for Dead Time Calculations**





**Figure 35 Input Thermal Derating Curve, Dependence of Case-to-Ambient Thermal Resistance**



**Figure 36 Output Thermal Derating Curve, Dependence of Case-to-Ambient Thermal Resistance**



## Undervoltage Lockout Feature

The HCPL-515x contains an undervoltage lockout (UVLO) feature that is designed to protect the IGBT under fault conditions which cause the HCPL-515x supply voltage (equivalent to the fully charged IGBT gate voltage) to drop below a level necessary to keep the IGBT in a low resistance state. When the HCPL-515x output is in the high state and the supply voltage drops below the HCPL-515x  $V_{UVLO-}$  threshold ( $9.5 < V_{UVLO-} < 12.0$ ), the optocoupler output goes into the low state with a typical delay, UVLO Turn Off Delay, of  $0.6 \mu s$ .

When the HCPL-515x output is in the low state and the supply voltage rises above the HCPL-515x  $V_{UVLO+}$  threshold ( $11.0 < V_{UVLO+} < 13.5$ ) the optocoupler output goes into the high state (assuming LED is ON) with a typical delay, UVLO Turn On Delay of  $0.8 \mu s$ .

**Figure 37 Undervoltage Lock Out**



---

For product information and a complete list of distributors, please go to our web site: [www.broadcom.com](http://www.broadcom.com).

Broadcom, the pulse logo, Connecting everything, Avago Technologies, Avago, and the A logo are among the trademarks of Broadcom in the United States, certain other countries and/or the EU.

Copyright © 2005-2017 Broadcom. All Rights Reserved.

The term "Broadcom" refers to Broadcom Limited and/or its subsidiaries. For more information, please visit [www.broadcom.com](http://www.broadcom.com).

Broadcom reserves the right to make changes without further notice to any products or data herein to improve reliability, function, or design.

Information furnished by Broadcom is believed to be accurate and reliable. However, Broadcom does not assume any liability arising out of the application or use of this information, nor the application or use of any product or circuit described herein, neither does it convey any license under its patent rights nor the rights of others.

AV02-3841EN – April 5, 2017

