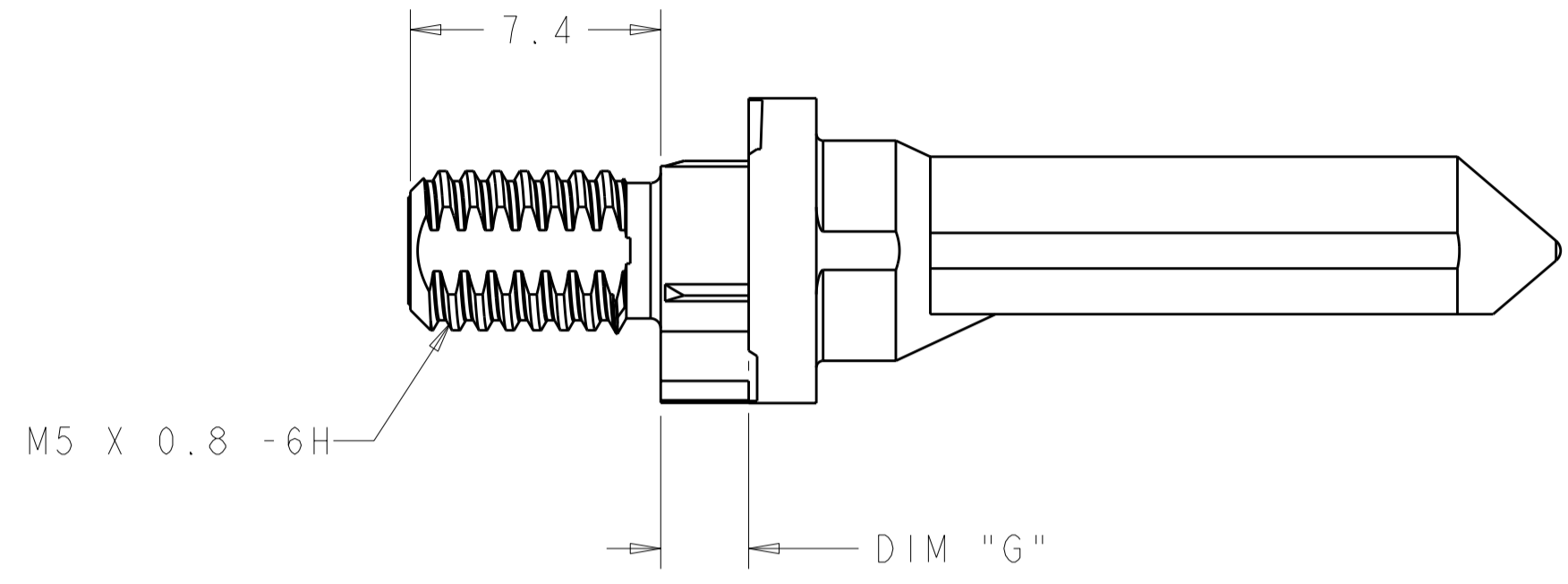
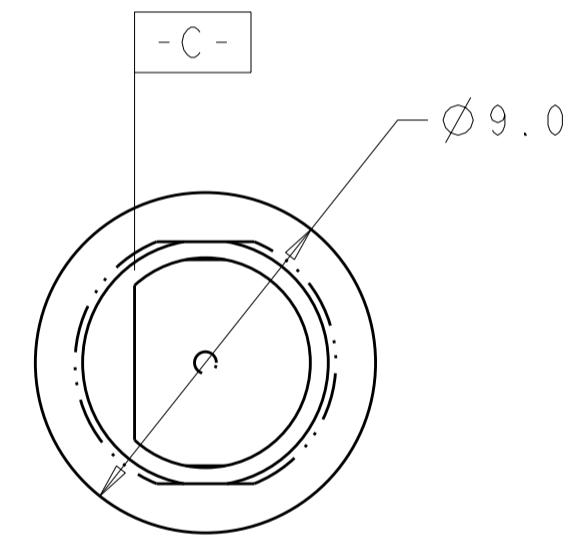
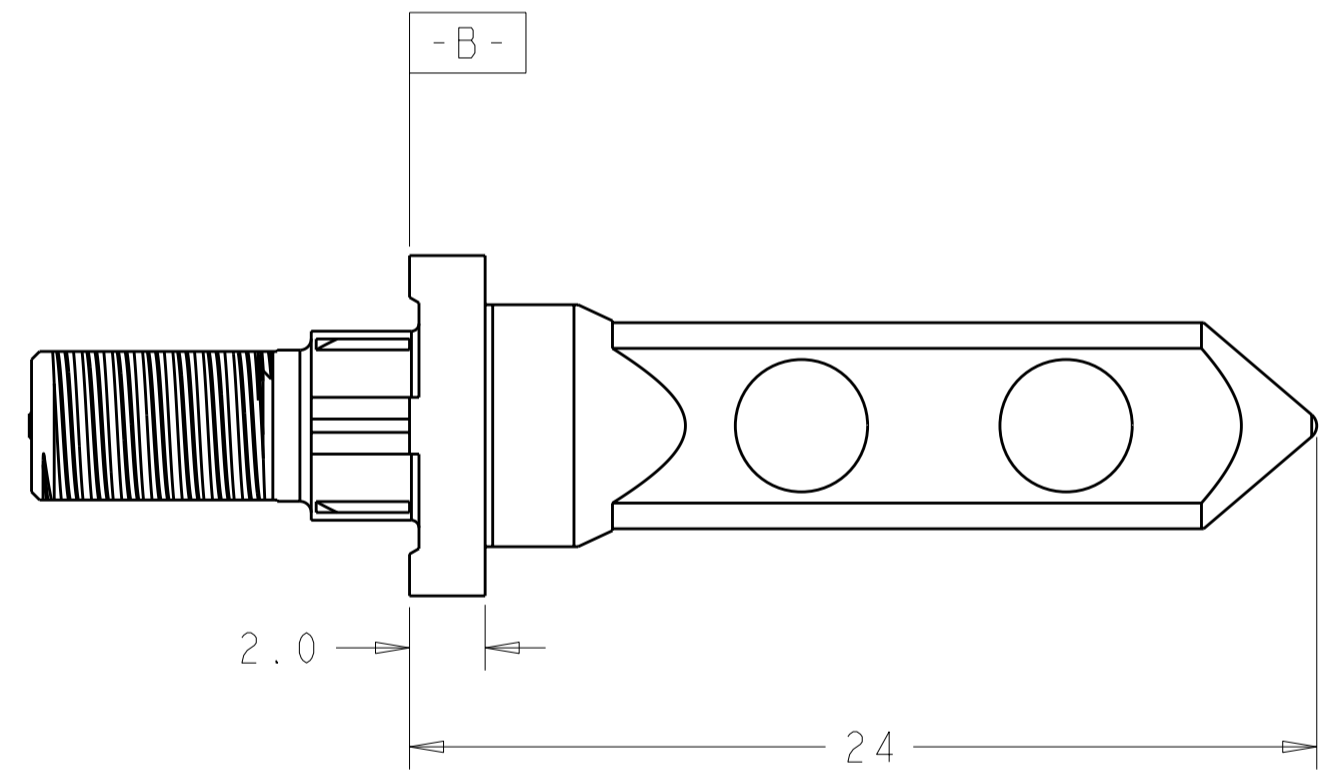
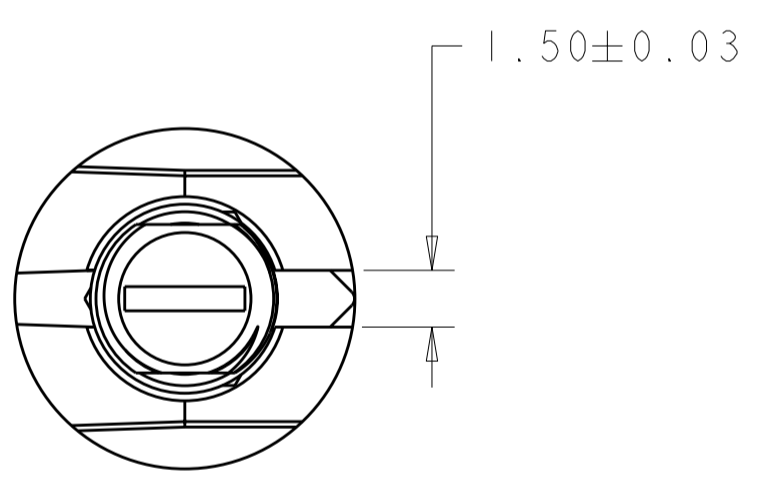


THIS DRAWING IS UNPUBLISHED. RELEASED FOR PUBLICATION 20
 © COPYRIGHT 20 BY - ALL RIGHTS RESERVED.

| LOC | | DIST | | REVISIONS | | | |
|-----|-----|-------------|-----------|-----------|------|---------------------------|--|
| P | LTR | DESCRIPTION | DATE | DWN | APVD | | |
| CG | 00 | B2 | 14MAR2011 | RK | HMR | REVISED PER ECO-11-005027 | |
| | | | | | | | |
| | | | | | | | |



- 1 MATERIAL: ZINC ALLOY
- 2 OBSOLETE PART NUMBER
- 3 KEY HOLE ORIENTATION (DIM A) PER MATING GUIDE MODULE PART NUMBER TABLE (ORIENTATION SHOWN ON PCB LAYOUT IS FOR 1469492-2)
- 4 ANNULAR RING PLATED AROUND GUIDE PIN MOUNTING HOLE ON TOP AND BOTTOM SIDE OF BOARD
- 5 FINISH:
3.81µm MINIMUM SILVER IN CONTACT AREA
OVER NICKEL OVER COPPER ALL OVER

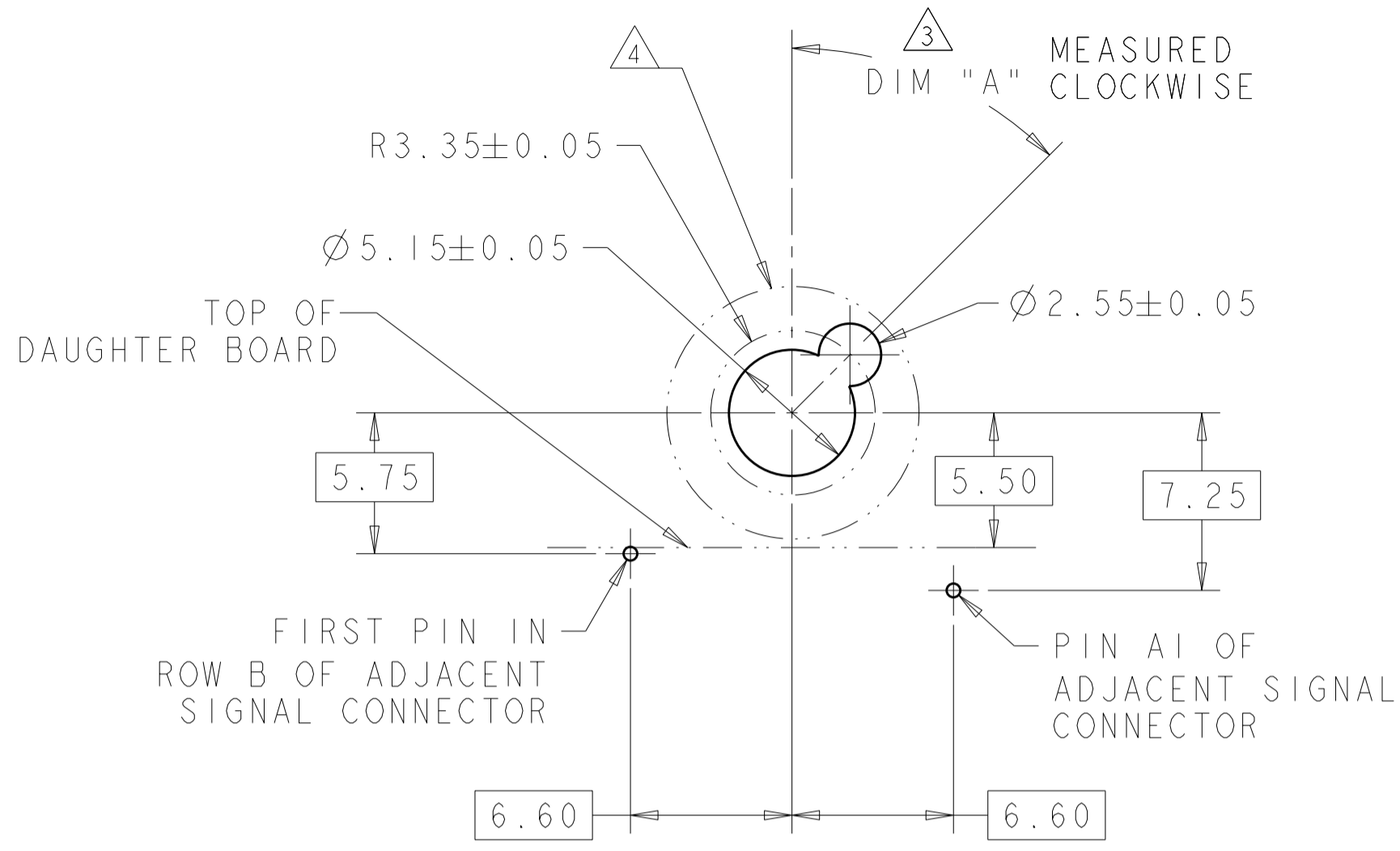


| | | | |
|--------|---------|-------------|---|
| - | 5.70 | 2-1469491-4 | 2 |
| - | 4.20 | 2-1469491-3 | 2 |
| - | 2.60 | 2-1469491-2 | 2 |
| 5 | 5.70 | 1-1469491-4 | |
| 5 | 4.20 | 1-1469491-3 | |
| 5 | 2.60 | 1-1469491-2 | |
| - | 5.70 | 1469491-4 | 2 |
| - | 4.20 | 1469491-3 | 2 |
| - | 2.60 | 1469491-2 | 2 |
| FINISH | DIM "G" | PART NUMBER | |

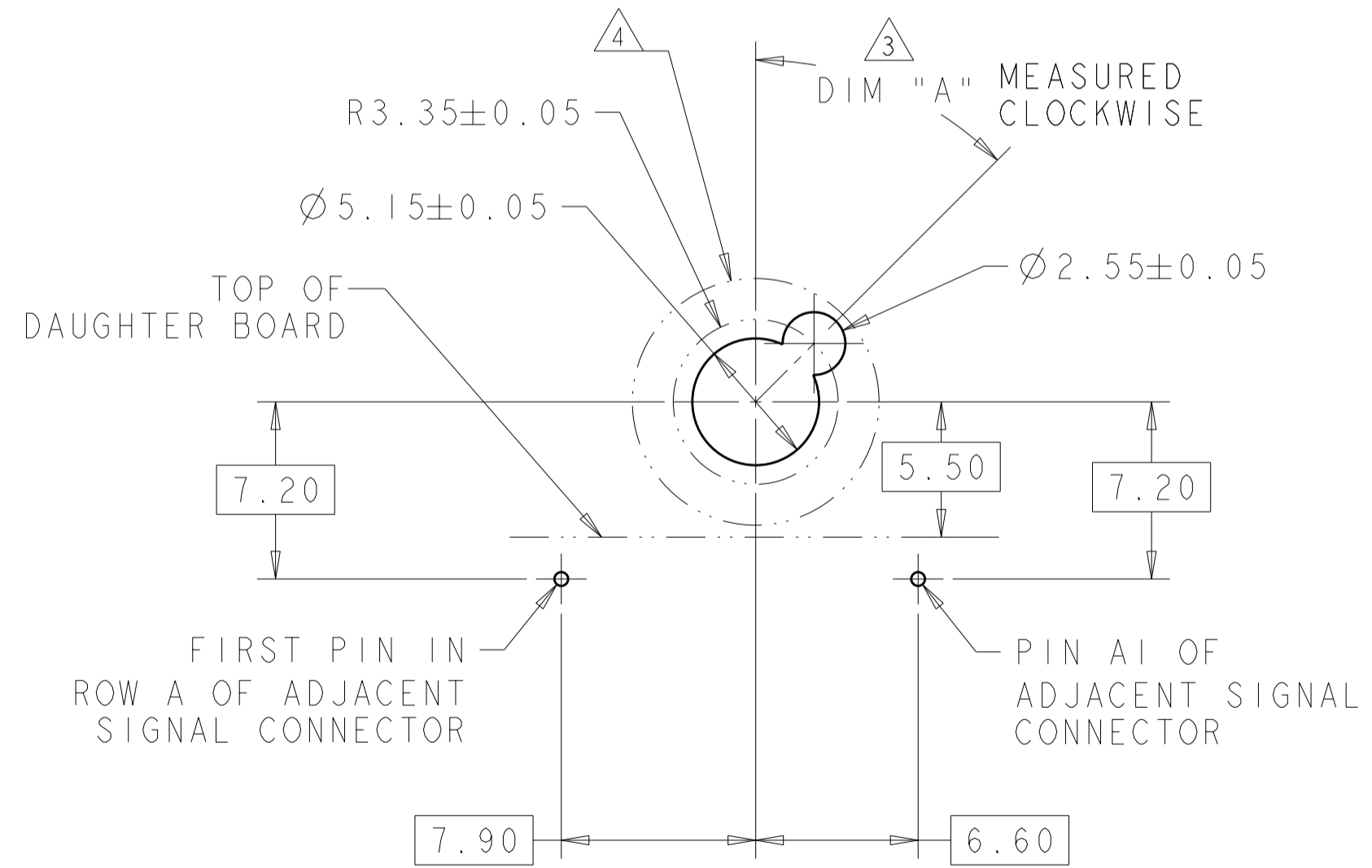
| | | | | |
|--|--|----------------------------------|--|-----------------|
| THIS DRAWING IS A CONTROLLED DOCUMENT. | | DWN R. TREA 24FEB2004 | TE Connectivity | |
| DIMENSIONS: mm | | CHK B. PATERSON 24FEB2004 | | |
| TOLERANCES UNLESS OTHERWISE SPECIFIED: | | APVD G. GRIFFITH 24FEB2004 | NAME KEYED GUIDE PIN, DIE CAST BACKPLANE CONNECTOR, MULTIGIG, THREADED POST | |
| 0 PLC ± 1 PLC ±0.5 2 PLC ±.13 3 PLC ±0.013 4 PLC ± ANGLES ± FINISH ± | | PRODUCT SPEC 108-2072 | SIZE A200779 | |
| MATERIAL 1 | | APPLICATION SPEC 114-13056 | DRAWING NO C-1469491 | |
| | | WEIGHT - | RESTRICTED TO - | |
| | | CUSTOMER DRAWING | SCALE 5:1 | SHEET 1 OF 2 |
| | | | REV B2 | |

THIS DRAWING IS UNPUBLISHED. RELEASED FOR PUBLICATION 20
 © COPYRIGHT 20 BY - ALL RIGHTS RESERVED.

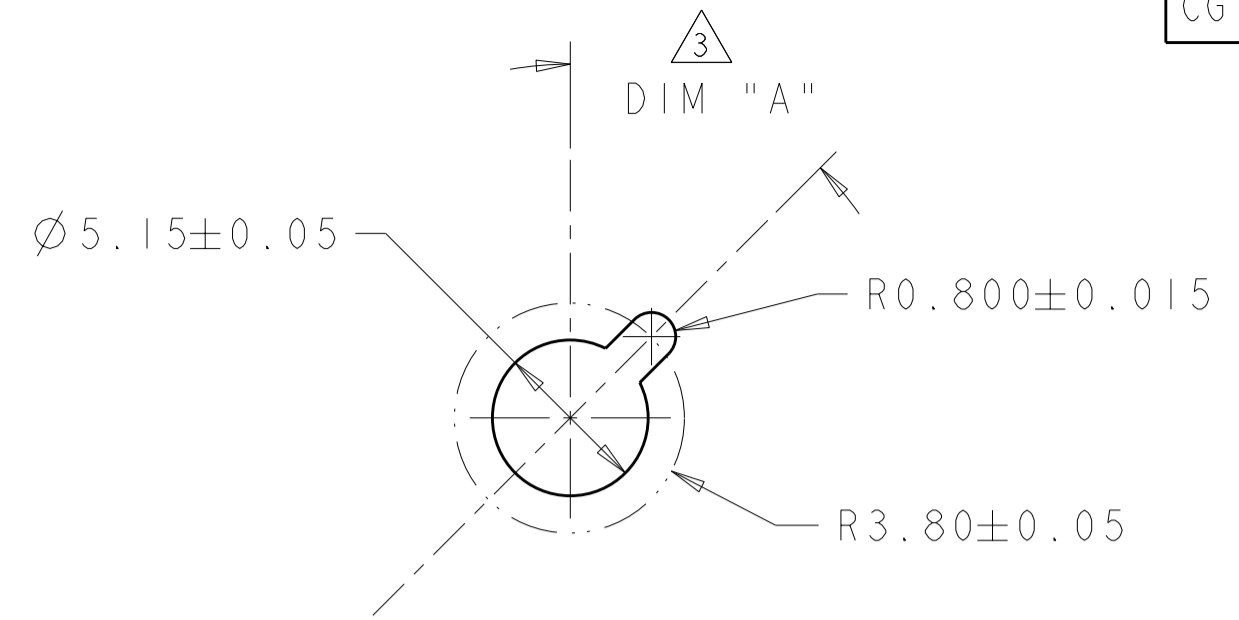
| LOC | DIST | REVISIONS | | | | | |
|-----|------|-----------|-----|-------------|------|-----|------|
| CG | 00 | P | LTR | DESCRIPTION | DATE | DWN | APVD |
| | | - | | SEE SHEET 1 | | | |



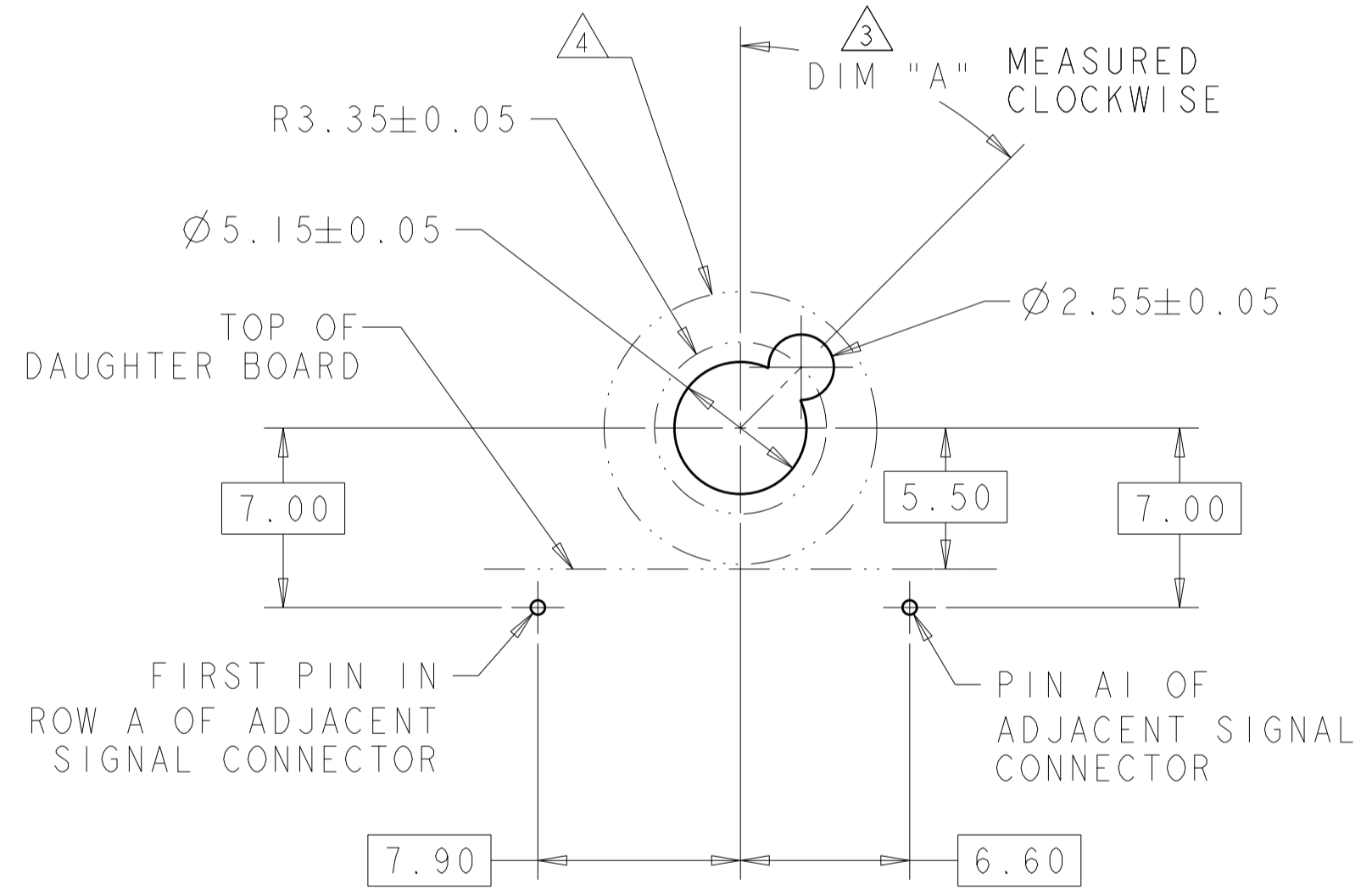
TIER 1
 GUIDE PIN FOOTPRINT
 (20.3 & 25.4mm SIGNAL MODULES)
 SCALE 4:1



TIER 2
 GUIDE PIN FOOTPRINT
 (20.3mm SIGNAL MODULES)
 SCALE 4:1



ALTERNATE PCB LAYOUT
 FOR GUIDE POST
 SCALE 4:1



TIER 2
 GUIDE PIN FOOTPRINT
 (25.4mm SIGNAL MODULES)
 SCALE 4:1

| | | |
|-----------------------|---------|------------------------|
| - | - | - |
| - | - | - |
| - | - | - |
| - | - | - |
| - | - | - |
| - | - | - |
| 5 | - | 1-1469492-9 |
| 5 | 315° | 1-1469492-8 |
| 5 | 270° | 1-1469492-7 |
| 5 | 90° | 1-1469492-3 |
| 5 | 45° | 1-1469492-2 |
| 5 | 0° | 1-1469492-1 |
| - | - | - |
| - | - | - |
| - | - | - |
| - | - | - |
| - | - | - |
| FINISH | DIM "A" | 20.3mm GUIDE MODULE |
| MATING GUIDE MODULE 3 | | |

THIS DRAWING IS A CONTROLLED DOCUMENT.

| | | |
|------------------|-------------|-----------|
| DWN | R. TREA | 24FEB2004 |
| CHK | B. PATERSON | 24FEB2004 |
| APVD | G. GRIFFITH | 24FEB2004 |
| PRODUCT SPEC | 108-2072 | |
| APPLICATION SPEC | 114-13056 | |
| MATERIAL | WEIGHT | - |
| CUSTOMER DRAWING | | |

TE Connectivity

KEYED GUIDE PIN, DIE CAST BACKPLANE CONNECTOR, MULTIGIG, THREADED POST

| | | | | | | | |
|-------|-----|-----------|-------|------------|-----------|---------------|----|
| SIZE | A2 | CAGE CODE | 00779 | DRAWING NO | C-1469491 | RESTRICTED TO | - |
| SCALE | 1:1 | SHEET | 2 | OF | 2 | REV | B2 |