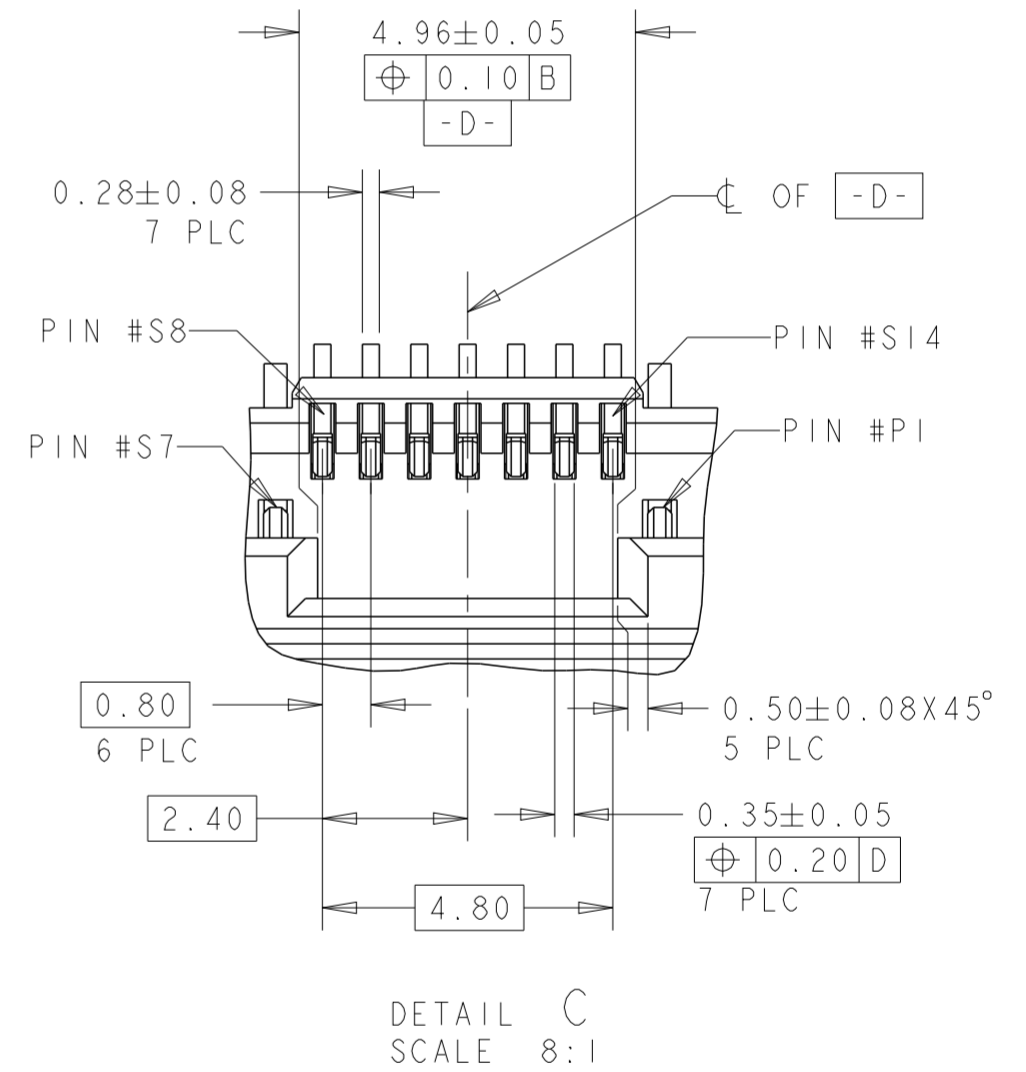


NOTES:

- 1 MATERIAL:
HOUSING: HIGH TEMP THERMOPLASTIC, UL94V-0,
COLOR: BLACK
CONTACT: COPPER ALLOY
BOARDLOCK: COPPER ALLOY
- 2 FINISH:
CONTACT AREA: MIN 0.76um GOLD PLATING
SOLDERTAIL: MIN 2.54um MATTE TIN PLATING
UNDERPLATE: MIN 1.27um NICKEL PLATING
- 3 PIN #P4 AND #P12 ONLY
- 4 SOLDERTAIL TO BE 0.05 MAX ABOVE AND 0.10 MAX BELOW DATUM E
- 5 1.33 MAX MEASURED AT -C-

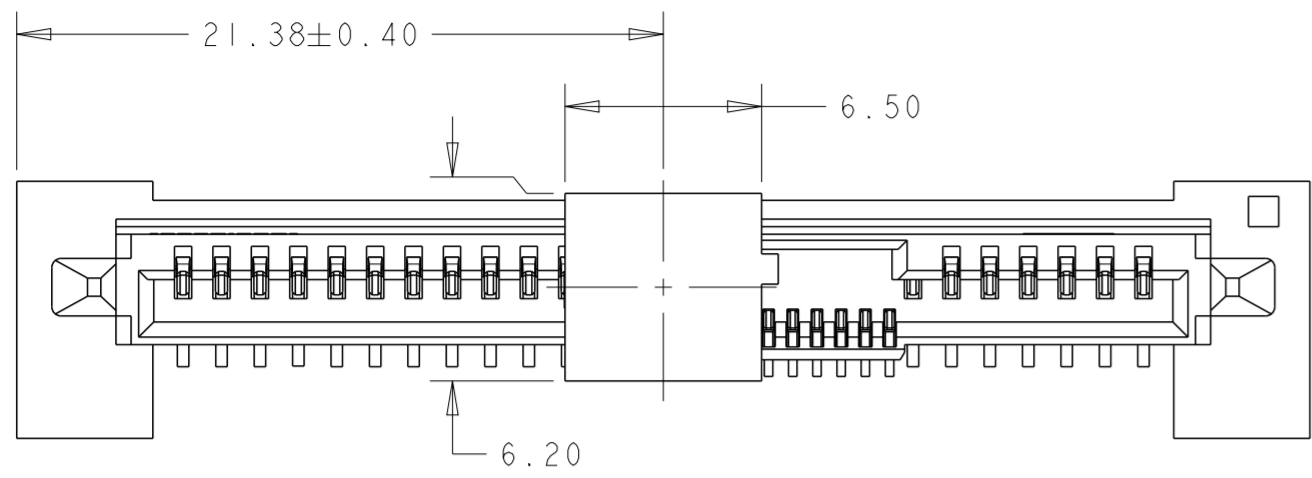


TAPE & REEL	ZIF TYPE (3)	3.50	YES	1-1735105-2
TRAY	ZIF TYPE (3)	3.50	YES	1735105-2
TRAY	FORK TYPE (2)	3.50	NO	1735105-1
PACKAGING	BOARDLOCK	DIM L	PICK-UP CAP (1)	PART NUMBER

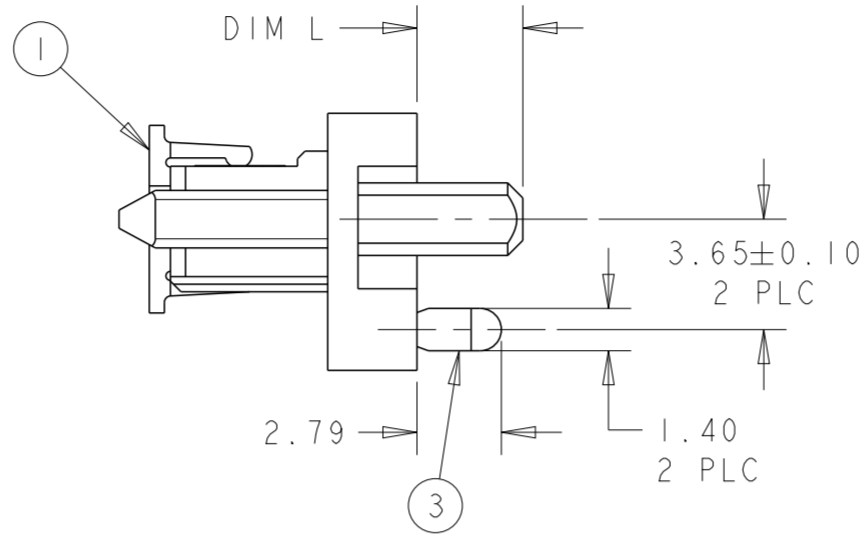
DWN	29JUL2005	MATERIAL	1	HEAT TREAT	-
CHK	29JUL2005	TE Connectivity			
APVD	29JUL2005				
NAME	SAS BACKPLANE RECEPTACLE, VERTICAL, SMT				
SCALE	4:1	SIZE	A2	DRAWING NO	1735105
SHEET	1	OF	2	REV	C

C	REVISED PER ECO-14-008474	05JUN2014	BL	JY
LTR	REVISION RECORD	DATE	DWN	APVD

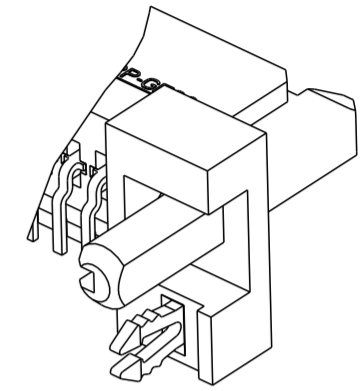
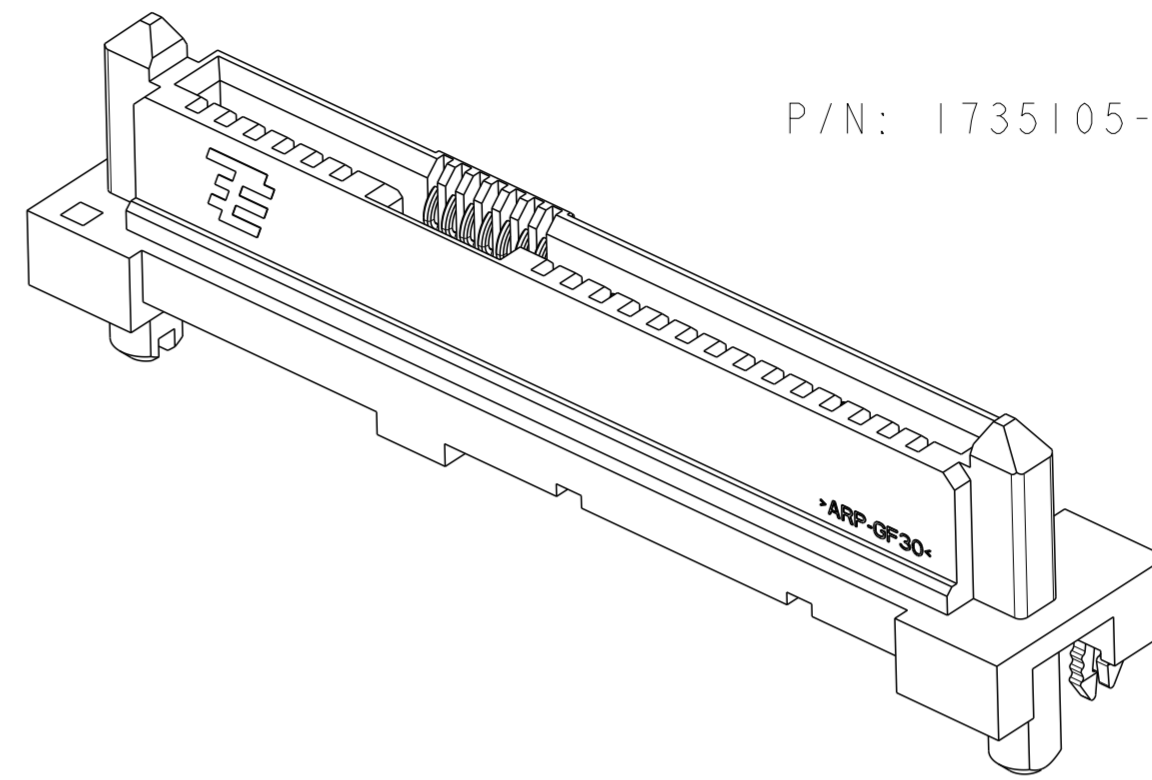
DIMENSIONS:	TOLERANCES UNLESS OTHERWISE SPECIFIED:
mm	0 PLC ±-
	1 PLC ±-
	2 PLC ±0.20
	3 PLC ±-
	4 PLC ±-
ANGLES:	3°
SURFACE TEXTURE	✓



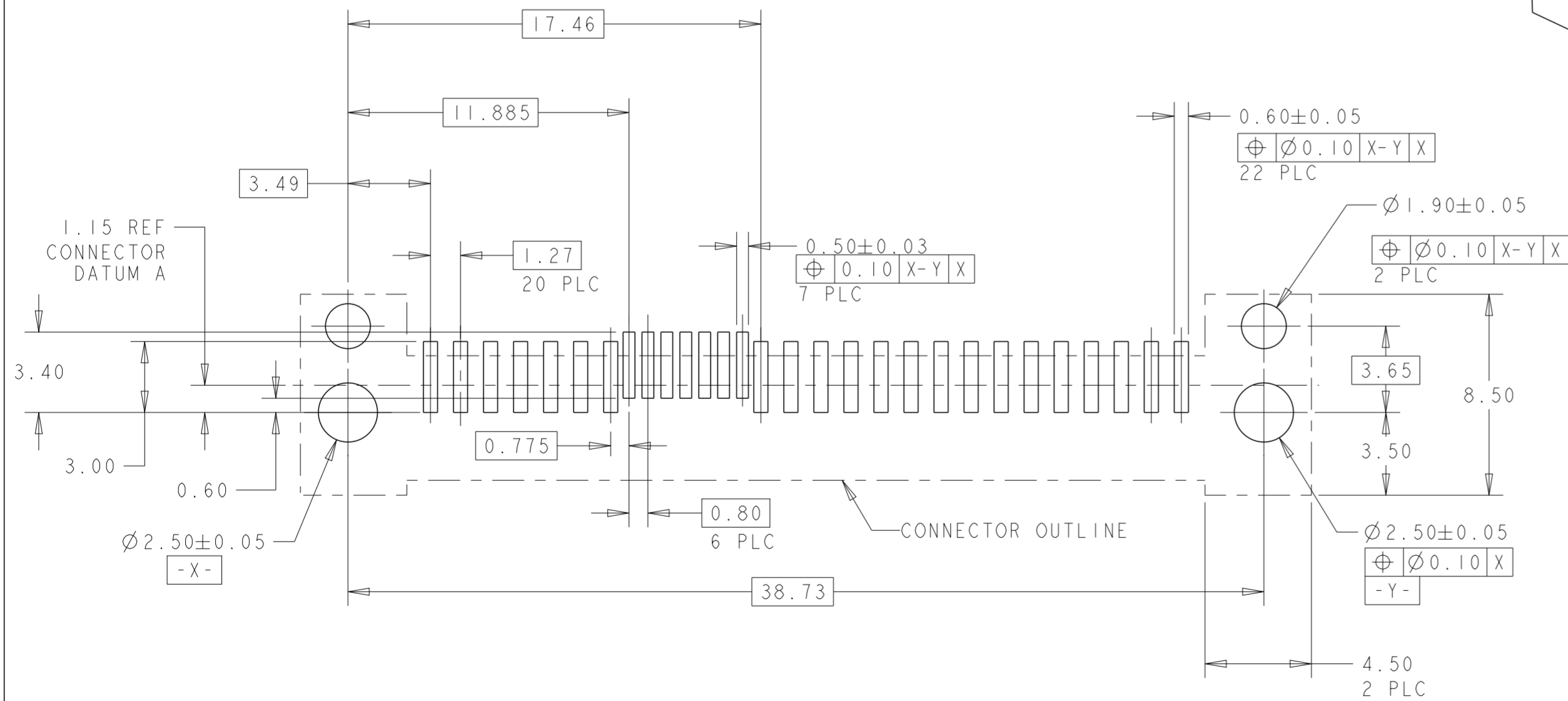
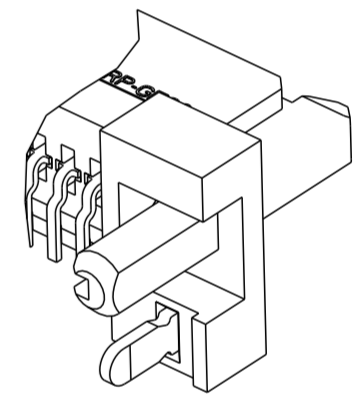
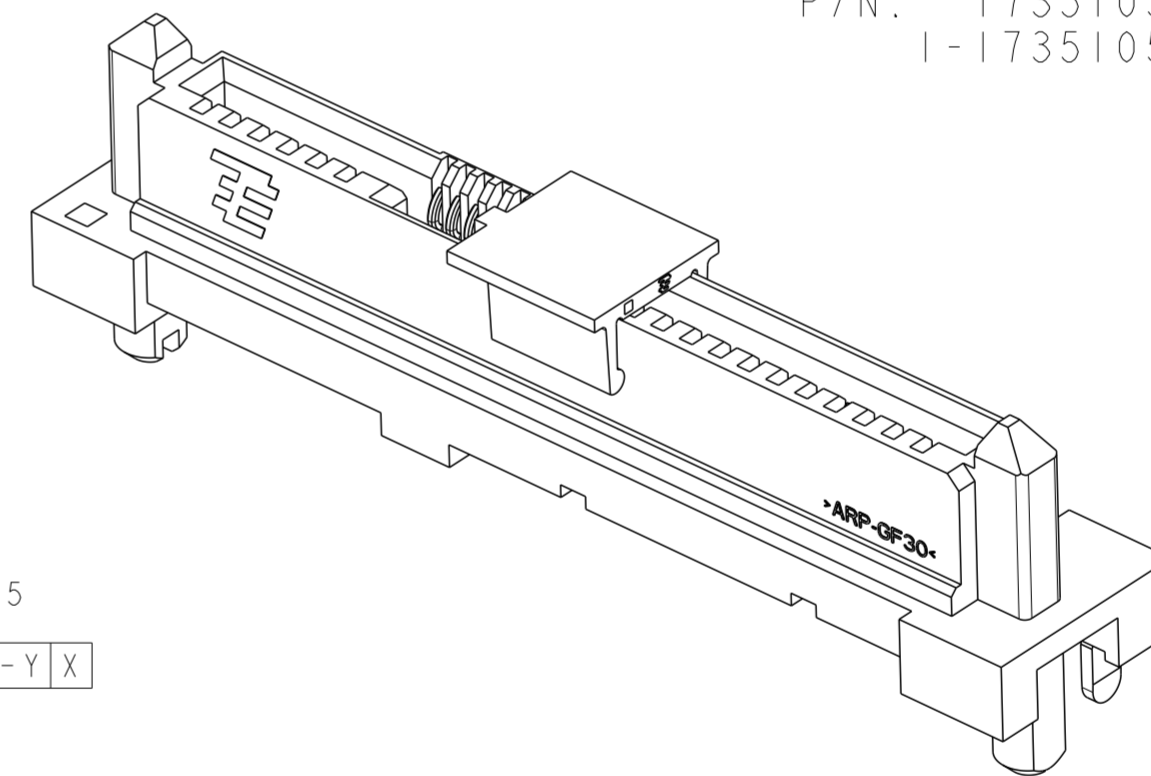
P/N: 1735105-2 AS SHOWN
1-1735105-2



P/N: 1735105-1



P/N: 1735105-2
1-1735105-2



RECOMMENDED PCB LAYOUT
SCALE 5:1

-	SEE SHEET 1	-	-	-
LTR	REVISION RECORD	DATE	DWN	APVD

DIMENSIONS:		TOLERANCES UNLESS OTHERWISE SPECIFIED:	
mm		0 PLC	±-
⊕		1 PLC	±-
⊖		2 PLC	±0.20
∠		3 PLC	±-
√		4 PLC	±-
ANGLES:	3°		
SURFACE TEXTURE:	√		

DWN	SK LEAW	29 JUL 2005	MATERIAL	TBD	HEAT TREAT	-
CHK	SF LEONG	29 JUL 2005				
APVD	SF LEONG	29 JUL 2005				
NAME			SAS BACKPLANE RECEPTACLE, VERTICAL, SMT			
SCALE	SIZE	DRAWING NO				
4:1	A2	1735105	SHEET	2	OF	2
						REV
						C

THIS INFORMATION IS CONFIDENTIAL AND PROPRIETARY TO TYCO ELECTRONICS CORPORATION AND ITS WORLDWIDE SUBSIDIARIES AND AFFILIATES (TE). IT MAY NOT BE DISCLOSED TO ANYONE, OTHER THAN TE PERSONNEL, WITHOUT AUTHORIZATION FROM TE (www.te.com).