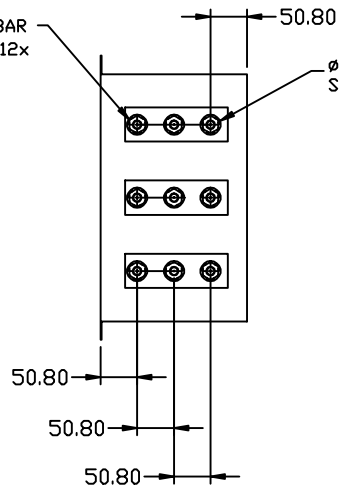
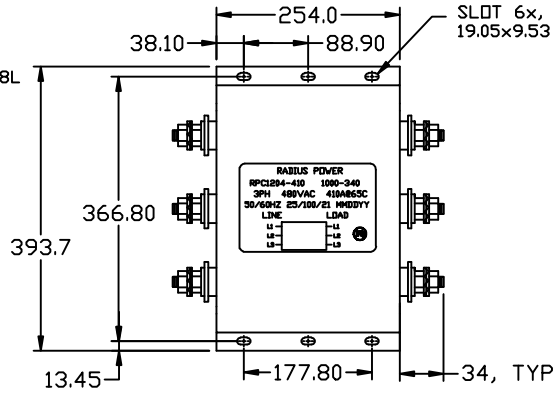


MECHANICALS

BUS BAR
0.125" THICK, 12x

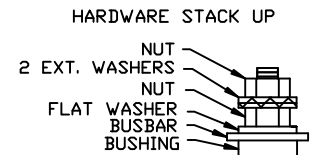
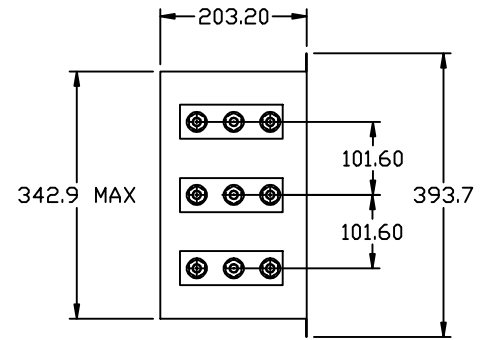


Ø3/8-16x7/8L
STUD, 6x

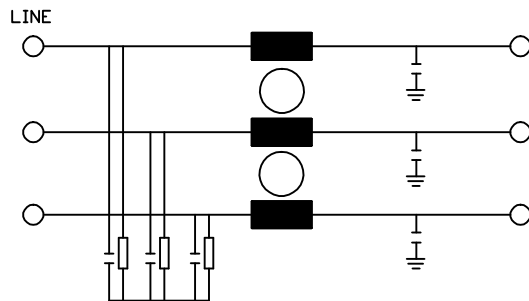


SLOT 6x,
19.05x9.53

STUD, GND, 3/8-16, 6x
NUT/EXT. WASHER/NUT



SCHEMATIC



MODEL / ITEM	RPC1204-410 / 1000-340	
UNITS	MM	
DATE	082009	
HOUSING	CRS / NICKEL OR TIN	
VOLT / CURR	480VAC / 410A	
FREQ(HZ)	50/60	
AMB / STORAGE	65C / -40 TO 100C	
WT(LB/KG), TYP	36.0/16.3	RP RADIUS POWER
HIPOT,LG (VDC)	3.5K	
TYP LK CURR	1mA (<480V/60HZ)	AN AstrodyneTDI COMPANY
TOLERANCE	0.0/0.00=±0.5/±0.25	CONFIDENTIAL DOCUMENT
ANGLE=±0.5°		