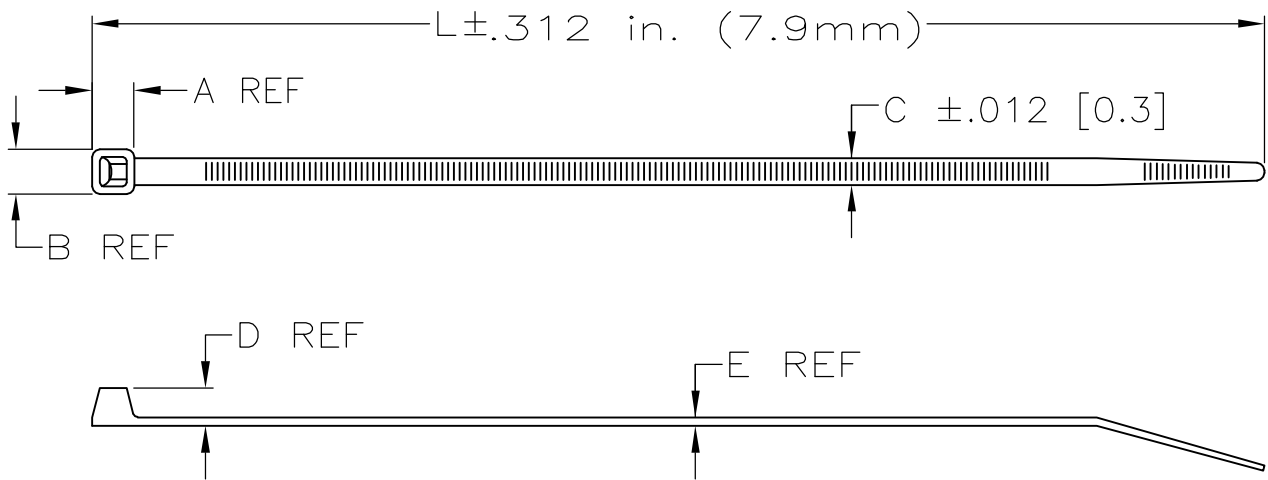


LOC	DIST	REVISIONS					
CM	0	P	LTR	DESCRIPTION	DATE	DWN	APVD
		H3		ECO-05-012698	31OCT05	KW	DC

1. PACKAGED IN HEAT SEALED 3 MIL POLYBAG.
2. MIL NO. MS3367-2.

UNIT OF MEASURE	A	B	C	D	E	L		MAX BUNDLE DIAMETER	MIN TENSILE STRENGTH
INCHES	.290	.298	.184	.240	.055	15.43		4.0	50 LBS
MM	7.37	7.57	4.67	6.10	1.40	392.		101.6	22.68 KG



METRIC

-	2-604774-0	BLACK 1000	
-	1-604774-0	BLACK 100	
-	2-604774-9	NATURAL 1000	
-	1-604774-9	NATURAL 100	
DWG SIZE	PART NO.	DESCRIPTION	ITEM NO.

RELEASED FOR PUBLICATION

ALL RIGHTS RESERVED.

BY TYCO ELECTRONICS CORPORATION.

THIS DRAWING IS UNPUBLISHED.

© COPYRIGHT

DIMENSIONS: INCHES	DWN	28OCT2005	MATERIAL	NYLON 6/6	FINISH	-
	CHK	K.- WHITAKER	28OCT2005	Tyco Electronics Corporation Harrisburg, PA 17105-3608		
TOLERANCES UNLESS OTHERWISE SPECIFIED:	APVD	D.- COLEY	28OCT2005			
0 PLC ± -	PRODUCT SPEC	-	CABLE TIE 15 1/2 INCH			
1 PLC ± -	APPLICATION SPEC	-	SIZE	CAGE CODE	DRAWING NO	RESTRICTED TO
2 PLC ± -	WEIGHT	-	A4	00779	C-604774	-
3 PLC ± -			CUSTOMER DRAWING			SCALE
4 PLC ± -						1:1
ANGLES ± -						SHEET
						1 OF 1
						REV
						H3

