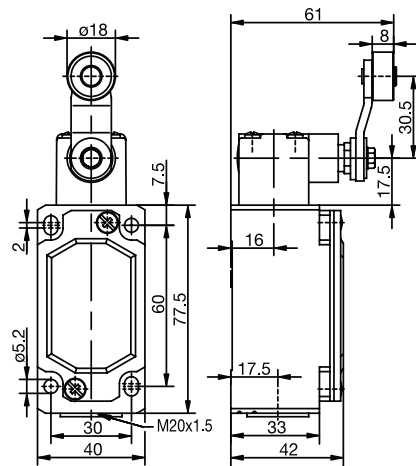


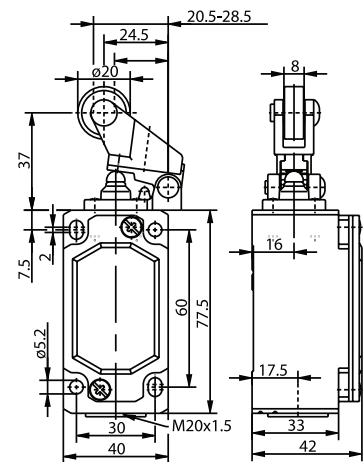
ENM2 Series



AHS-V (Form A)



DGHW RO20



Switching Operation	Slow Action	Snap Action	Slow Action	Snap Action
1 NC / 1 NO Contacts	608.7135.013 ENM2-U1Z AHS-V 	608.7385.014 ENM2-SU1Z AHS-V 	608.7121.007 ENM2-U1Z DGHW RO20 	608.7371.008 ENM2-SU1Z DGHW RO20
2 NC Contacts	608.7835.015 ENM2-A2Z AHS-V 	-	608.7821.009 ENM2-A2Z DGHW RO20 	-
2 NO Contacts	-	-	-	-
1 NC / 1 NO Contacts Overlapping	-	-	-	-

Replacement actuator: **391.8350.729** **391.8211.656**

Technical Information	Slow Action	Snap Action	Slow Action	Snap Action
Maximum Switching Voltage	240V	240V	240V	240V
Max. Switching Amps (up to)*	10A	10A	10A	10A
B10d (up to)*	20 Million	20 Million	20 Million	20 Million
Mechanical Service Life (up to)*	3 x 10 ⁶	10 x 10 ⁶	10 x 10 ⁶	10 x 10 ⁶
Switching Frequency	≤ 100/min	≤ 100/min	≤ 100/min	≤ 100/min
Operating Temperature	-30 °C to +80 °C	-30 °C to +80 °C	-30 °C to +80 °C	-30 °C to +80 °C
Protection Rating	IP65	IP65	IP65	IP65
Utilization Category (up to)*	AC-15, Ue/Ue 240V 3A	AC-15, Ue/Ue 240V 3A	AC-15, Ue/Ue 240V 3A	AC-15, Ue/Ue 240V 3A
Rate Insulation Voltage	400VAC	400VAC	400VAC	400VAC

Approvals * Depending on switching system - see technical information for details



Special features/variants (on request)
● Available with different directions

Special features/variants (on request)
● Available with different directions

Drawing dimensions in mm