



HARTING PushPull USB (V4)



General information

Design	USB 2.0 / 3.0 acc. USB specification (see www.USB.org)	
No. of contacts	USB 2.0: 4-pole	USB 3.0: 9-pole
Test voltage	500V AC peak contact-contact and contact-shielding	
Insulation resistance	4-pole: 1.6 MOhm min.	9-pole: 100 MOhm min.
Current rating	1.5A @ 25°C min.	
Nominal voltage rating	30V DC	
Termination technology	depending on type THT soldering or pin header connection	
Reflow processing temperature	IPC/JEDEC J-STD 020D	
Insertion force / Withdrawal force	35N max. / 15N min.	(IP20 side / PushPull side)
Contact resistance	30 mOhm max.	
Mating cycles	750	
Shock resistance (no contact disturbance > 1µs)	30g/11ms, 3 shocks/axis and direction; 5g/30ms, 3 shocks/axis and direction	
Vibration resistance	sinus vibration	5-500Hz, 2g, 0.75mm, 2h/axis
(no contact disturbance > 1µs)	random vibration	5.35 Gs RMS 15min/axes and DIN EN 61373 class1 cat B 7.9m/s²
Temperature range	-40°C ... +85°C	
Signaling Speed Rating	USB 2.0: max. 480Mbit/s	USB 3.0: max. 5Gbit/s
Impedance resistance	90 Ohms +/- 15%	
RoHS - compliant	Yes	
Leadfree	Yes	

Insulator material

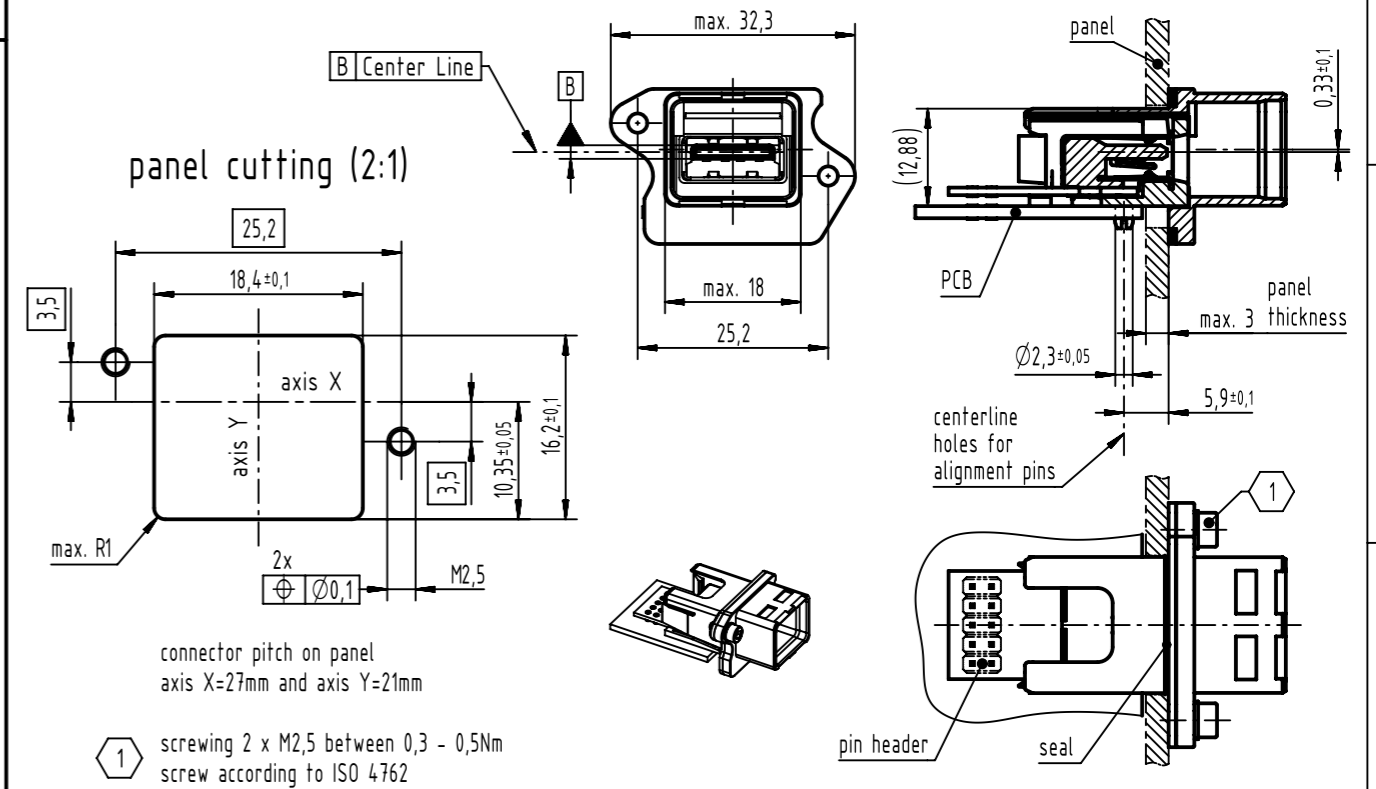
Material	Engineering Thermoplastic and LCP (glass fiber reinforcement 30%)
Color	black
UL classification	UL 94 V-0

Contact material

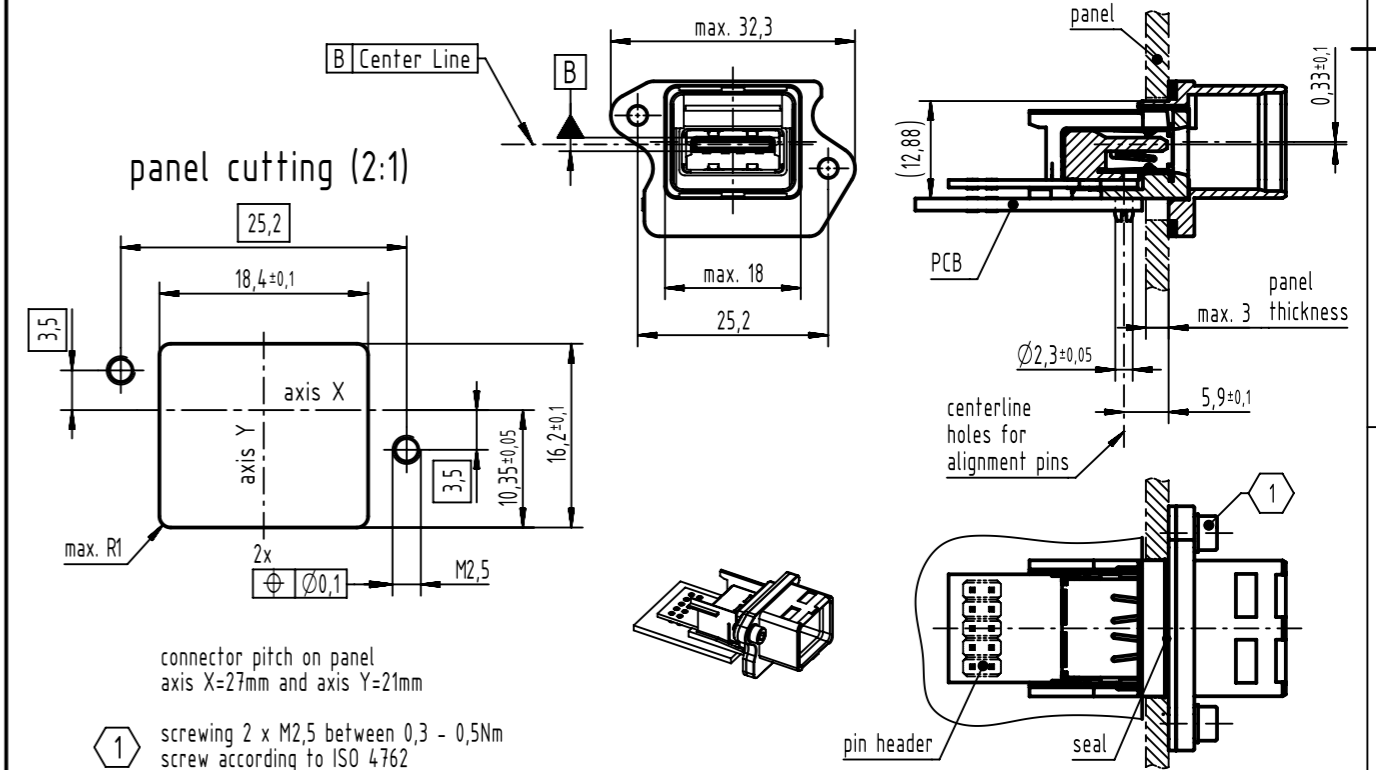
Contact material	Copper alloy
Plating soldering zone	Sn over Ni
Plating contact zone	Au over Ni

Recommended panel cutout and assembly with PushPull receptacle housings

PushPull compact with clip: 09455450029



PushPull compact without clip: 09455450033



	All Dimensions in mm Original Size DIN A3	Scale 1:1	Free size tol.	Ref. Sub. DS 09456230201 / 500000076911 / 2014-07-09	
	All rights reserved Department EC PD - DE	Created by HASSE	Inspected by LUETTERMANN	Standardisation HOFFMANN	Date 2016-05-19
	HARTING Electronics GmbH D-32339 Espelkamp	Title HARTING PushPull USB (V4)			Doc-Key / ECM-Nr. 100541366/UGD/001/C 500000104625
		Type DS	Number 09456230201	Rev. C	Page 1/2

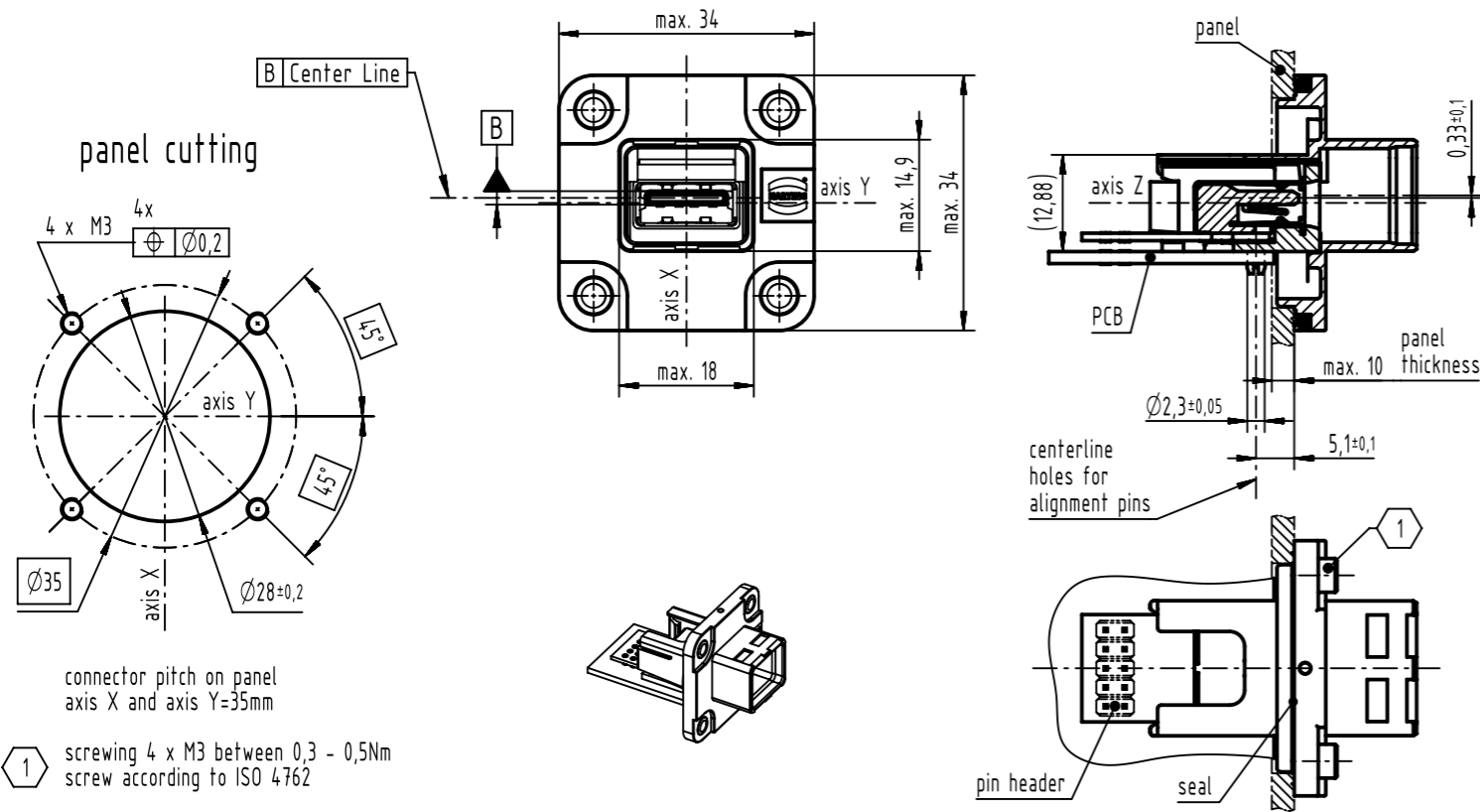


HARTING PushPull USB (V4)

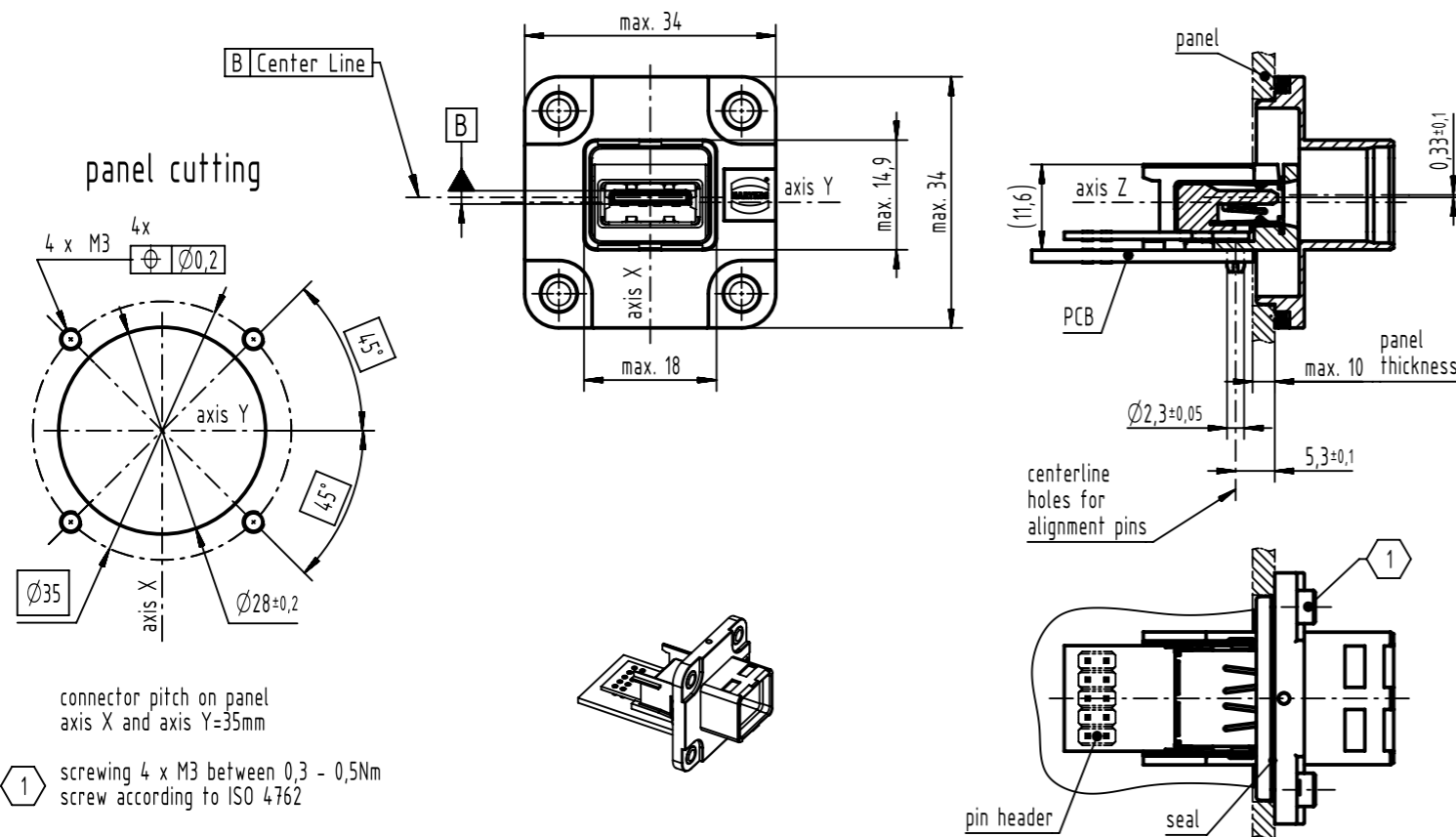


Recommended panel cutout and assembly with PushPull receptacle housings

PushPull EasyInstall with clip: 09455450031

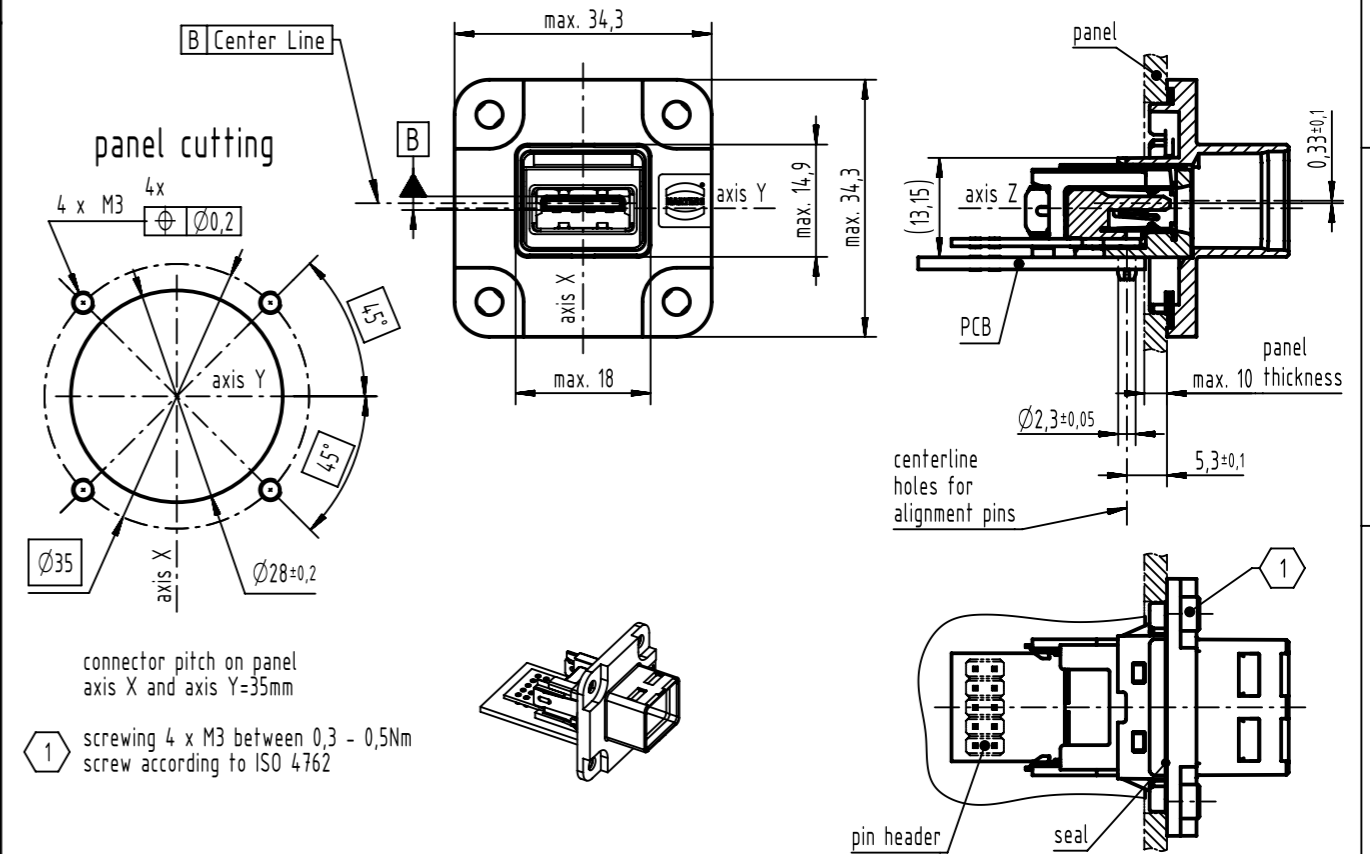


PushPull EasyInstall without clip: 09455450030



Recommended panel cutout and assembly with PushPull receptacle housings

PushPull EasyInstall metal with clip: 09455950031



	All Dimensions in mm Original Size DIN A3	Scale 1:1	Free size tol.	Ref. Sub. DS 09456230201 / 50000076911 / 2014-07-09	
		All rights reserved Department EC PD - DE	Created by HASSE	Inspected by LUETTERMANN	Standardisation HOFFMANN
HARTING Electronics GmbH D-32339 Espelkamp		Title HARTING PushPull USB (V4)			Date 2016-05-19
		Type DS	Number 09456230201	State Final Release	Doc-Key / ECM-Nr. 100541366/UGD/001/C 500000104625
				Rev. C	Page 2/2

Mouser Electronics

Authorized Distributor

Click to View Pricing, Inventory, Delivery & Lifecycle Information:

[HARTING:](#)

[09455451902](#) [09455451901](#)