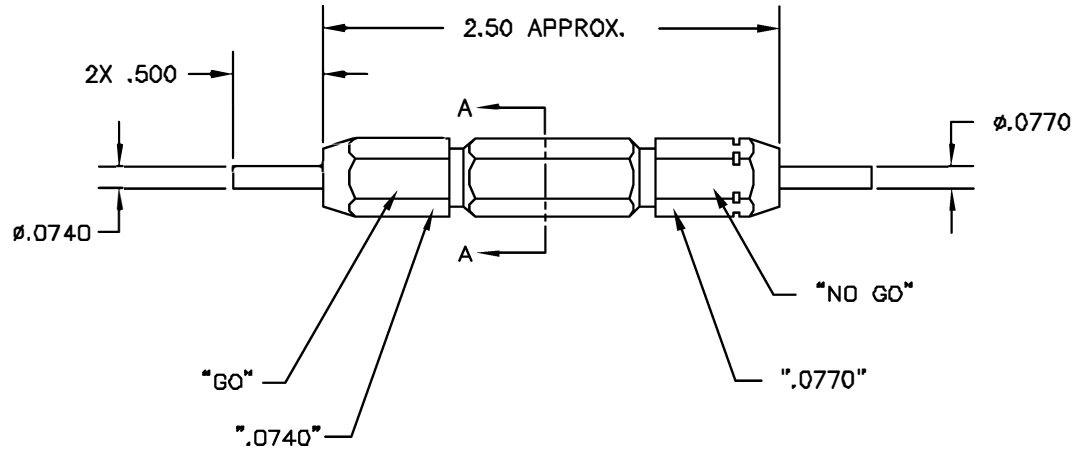
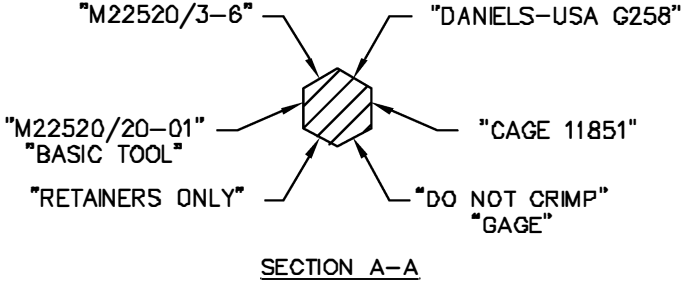


| REVISIONS |               |                  |                 |                 |
|-----------|---------------|------------------|-----------------|-----------------|
| REV. SYN. | E.C.D. NUMBER | DESCRIPTION      | BY DATE         | APP'D DATE      |
| 1         |               | ORIGINAL RELEASE | JWJ<br>10/12/00 | RRR<br>10/12/00 |



**UNCONTROLLED DOCUMENT  
WILL NOT BE UPDATED**

|  |                      |   |                  |                     |                     |
|--|----------------------|---|------------------|---------------------|---------------------|
| <b>RESTRICTED &amp; CONFIDENTIAL</b><br><br>CONFIDENTIAL PROPERTY OF DANIELS MANUFACTURING CORP. NOT TO BE DISCLOSED TO OTHERS, REPRODUCED OR USED FOR ANY OTHER PURPOSE EXCEPT AS AUTHORIZED IN WRITING BY DANIELS MANUFACTURING. MUST BE RETURNED TO DANIELS MANUFACTURING CORP. ON COMPLETION OF ORDER OR OTHER PURPOSE FOR WHICH LENT. | MATERIAL             | ITEM                                    | PART NO.         | QTY.                | DESCRIPTION/REMARKS |
|  | HEAT TREAT           | DRN<br>J. JOYCE                         | DATE<br>10/12/00 | CHK'D<br>RRR        | DATE<br>10/12/00    |
|  | FINISH               | APP'D.                                  | DATE             | APP'D.              | DATE                |
|  | DO NOT SCALE DRAWING | TITLE<br>GO/NO-GO GAGE ENVELOPE DRAWING |                  | WHERE USED          |                     |
|  |                      | SIZE<br>B                               | SCALE<br>NTS     | END P/N<br>G258-ENV | SHEET<br>1 OF 1     |
|  |                      | POSTING                                 |                  | P/N<br>G258-ENV     | REV.<br>1           |



DANIELS MANUFACTURING CORP.  
ORLANDO, FLORIDA  
CAGE 11851