

## LATCHING

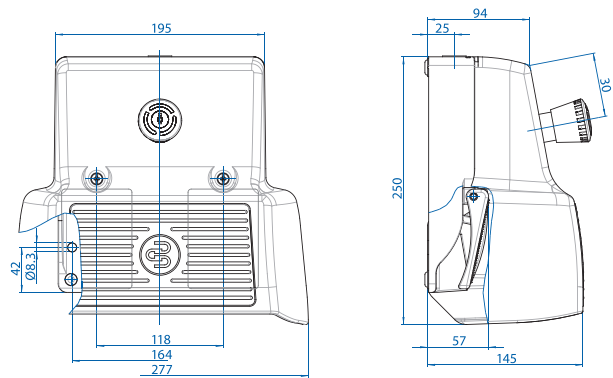
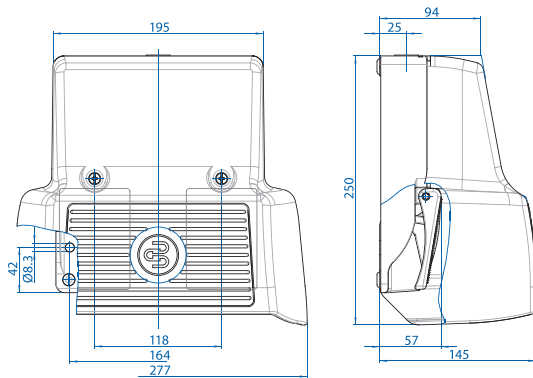


Latching Operation - Push pedal to change contact state. When you release the pedal, the contacts remain in that state. Push again to return to original state.

## WITH E-STOP BUTTON



Standard OFF-ON Operation - Push pedal to change contact state. Release pedal to return to original state. With 2NC contact Emergency Stop



### Two pedal foot switch F2

Article number	Designation	Switching contacts		Latching
		Pedal 1 (left)	Pedal 2 (right)	
616.2840.655	F2-SU1Y/SU2Z UN	1NC / 1NO	2NC / 2NO	(Pedal 1)
606.2610.018	F2-U1Y/U1Y UN	1NC / 1NO	1NC / 1NO	(Pedal 1+Pedal 2)
606.2610.047	F2-U1Y/U1Z UN	1NC / 1NO	1NC / 1NO	(Pedal 1)

### Two pedal foot switch F2

Article number	Designation	Switching contacts	
		Pedal 1 (left)	Pedal 2 (right)
616.2720.700	F2-U2Z/U2Z NA2 UN	2NC / 2NO	2NC / 2NO