

# TK 99 – Polystyrene and Polycarbonate – 94 x 94 mm (3.70 x 3.70 in.)

## Standard Features

- **Protection Level:** IP66 (NEMA Type: 4X with gray cover, 12K with transparent cover)
- **Technical:** Smooth or Knockout Sidewalls  
Gray or Tinted Transparent Cover  
Multiple Enclosure Mounting Options
- **UL Recognized**  
**Enclosure Materials:** Polystyrene or Polycarbonate
- **Gasket Material:** Polyurethane
- **Color:** Light Gray
- **Material**  
**Temperature Range:** Polystyrene  
-40°C to 70°C (-40°F to 158°F)  
Polycarbonate  
-40°C to 120°C (-40°F to 248°F)
- **Accessories:** See section below



### Smooth Sidewalls

		Polystyrene					Polycarbonate			
Ordering Information	Height mm (in)	Cat. No.	Type	Cover Color	Std. Pk.	Cat. No.	Type	Cover Color	Std. Pk.	
☐ Enclosure - low cover	57 mm (2.24 in)	110-403	PS 99-6-o	gray	4	120-403	PC 99-6-o	gray	4	
☐ Enclosure - high cover	81 mm (3.19 in)	110-903	PS 99-8-o	gray	3	120-903	PC 99-8-o	gray	3	
☐ Enclosure - low cover	57 mm (2.24 in)	111-003	PS 99-6-to	trans.	4	130-003	PC 99-6-to	trans.	4	
☐ Enclosure - high cover	81 mm (3.19 in)	111-503	PS 99-8-to	trans.	3	130-503	PC 99-8-to	trans.	3	

### Sidewalls with Metric Knockouts

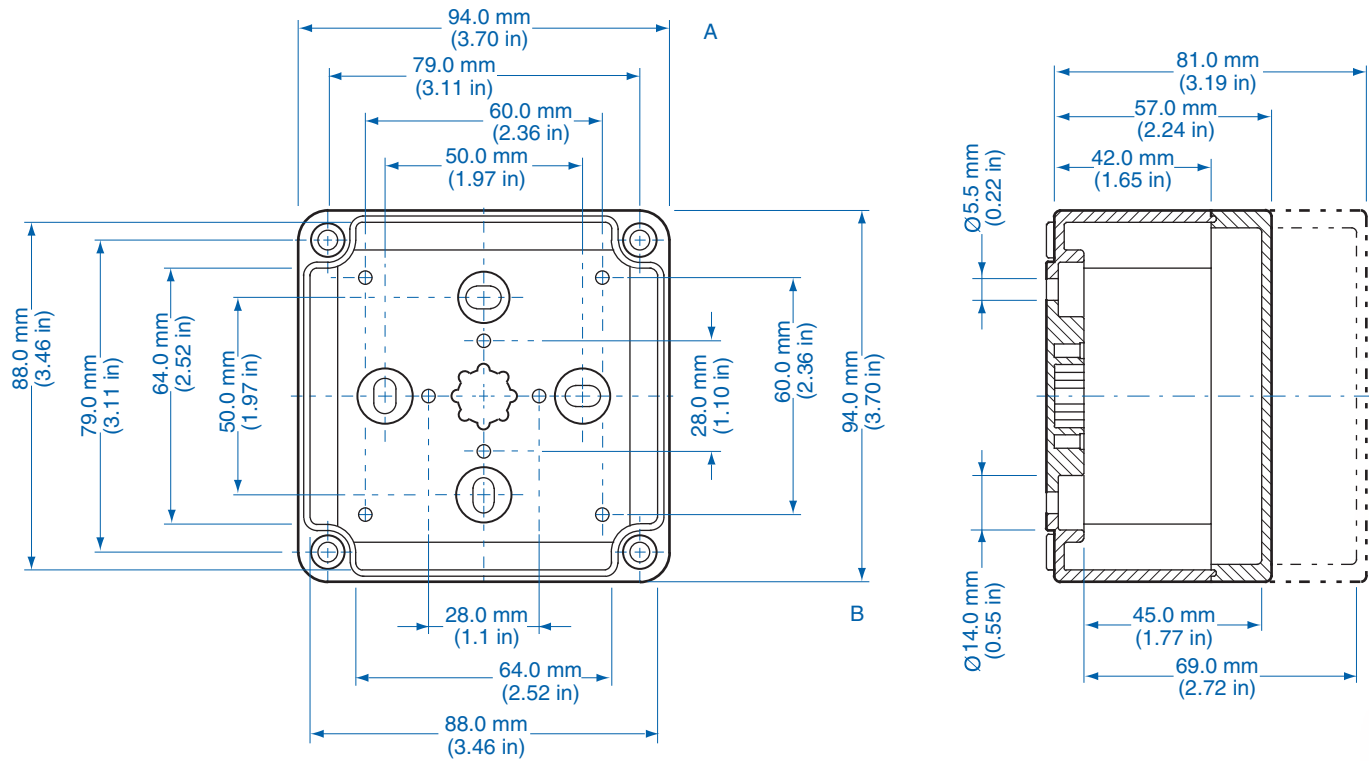
		Polystyrene					Polycarbonate			
Ordering Information	Height mm (in)	Cat. No.	Type	Cover Color	Std. Pk.	Cat. No.	Type	Cover Color	Std. Pk.	
☐ Enclosure - low cover	57 mm (2.24 in)	105-403	PS 99-6-m	gray	4	127-403	PC 99-6-m	gray	4	
☐ Enclosure - high cover	81 mm (3.19 in)	105-903	PS 99-8-m	gray	3	127-903	PC 99-8-m	gray	3	
☐ Enclosure - low cover	57 mm (2.24 in)	106-003	PS 99-6-tm	trans.	4	137-003	PC 99-6-tm	trans.	4	
☐ Enclosure - high cover	81 mm (3.19 in)	106-503	PS 99-8-tm	trans.	3	137-503	PC 99-8-tm	trans.	3	

### Accessories

Ordering Information	Cat. No.	Type	Std. Pk.
Mounting Plate (plastic)	195-003	TKMPI-99	1
Mounting Plate (steel)	197-003	TKMPS-99	1
DIN Rail TS15 - 80 mm	197-080	TS 15/80	1
Hinge Kit Set	190-002	HK1	1
Mounting Tab Kit	194-001	MT1	1

Please refer to pages 149-152 for additional accessories and detailed information.

Dimensions



Knockout Positions

