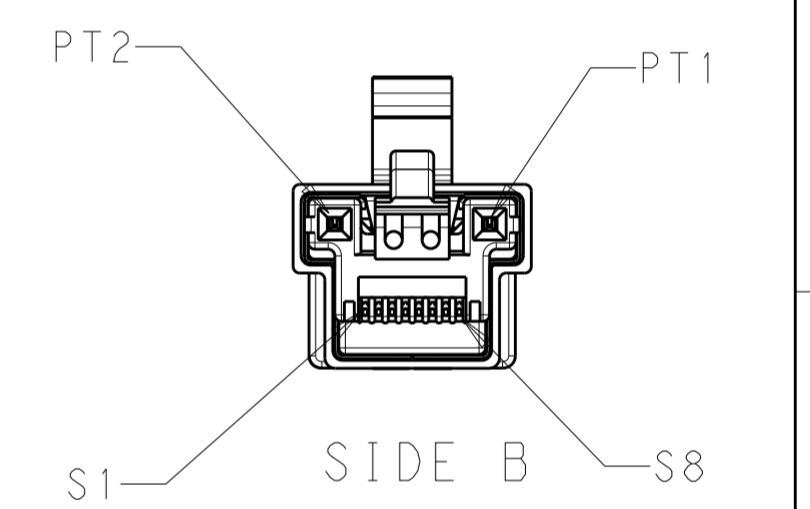
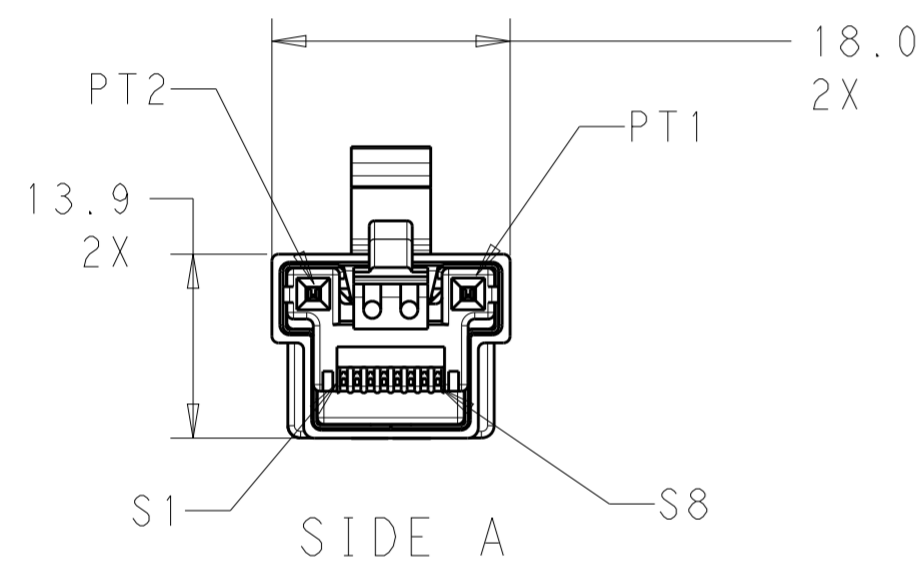
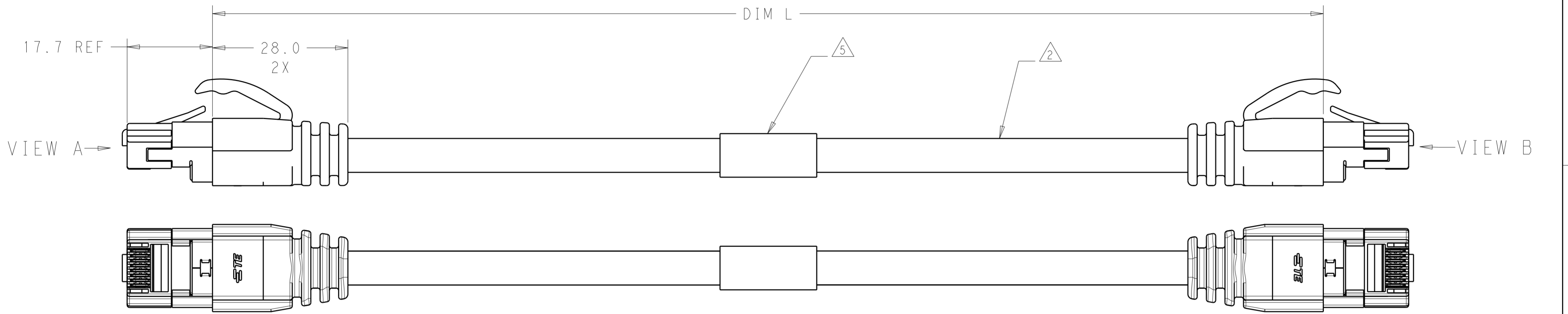


THIS DRAWING IS UNPUBLISHED. RELEASED FOR PUBLICATION 20
 © COPYRIGHT 20 BY - ALL RIGHTS RESERVED.

| LOC | | DIST | | REVISIONS | | | |
|-----|-----|-------------|-----------|-----------|------|--|--|
| P | LTR | DESCRIPTION | DATE | DWN | APVD | | |
| - | - | 1 PROPOSED | 09OCT2012 | CD | MM | | |
| - | - | - | - | - | - | | |



NOTES:

- △1 MATERIALS AND FINISH:
 - HOUSING: PC, COLOR: CLEAR
 - CONTACTS: COPPER ALLOY
FINISH: GOLD OVER NICKEL (SIGNAL CONTACTS)
GOLD OVER NICKEL (POWER CONTACTS)
 - CONNECTOR SHIELD: COPPER-ZINC ALLOY
FINISH: TIN OVER NICKEL
 - STRAIN RELIEF: TPV, COLOR: BLACK
- △2 CABLE SPECIFICATION:
 - JACKET: PVC, COLOR: RAL9017 - BLACK, OD 7.50 ±0.15
 - SIGNAL CONDUCTORS: 4 PAIR, 26AWG STRANDED (SHIELDED)
 - POWER CONDUCTORS: QTY 2, 18AWG STRANDED
 - MINIMUM BEND RADIUS: 50MM
 - -20 TO 80°C TEMPERATURE RANGE
 - UL444/CM CONSTRUCTION

- 3. MUST COMPLY WITH DIRECTIVE 2002/95/EC (ROHS)
- 4. THIS PRODUCT HAS NOT COMPLETED VALIDATION TESTING

△5 LABEL CONTENT AS FOLLOWS:

TE P/N YY=YEAR
 YYWW WW=WEEK

| | |
|---------------|-----------|
| 25000.0±250.0 | 2213121-4 |
| 10000.0±100.0 | 2213121-3 |
| 5000.0±50.0 | 2213121-2 |
| 2000.0±20.0 | 2213121-1 |
| DIM "L" | PART NO. |

| SIGNAL WIRING DETAILS | | | |
|-----------------------|---------------------|--------|--------|
| | COLOR | SIDE A | SIDE B |
| PAIR 1 | WHITE/ORANGE STRIPE | 1 | 1 |
| | ORANGE | 2 | 2 |
| PAIR 2 | WHITE/GREEN STRIPE | 3 | 3 |
| | BLUE | 4 | 4 |
| PAIR 3 | WHITE/BLUE STRIPE | 5 | 5 |
| | GREEN | 6 | 6 |
| PAIR 4 | WHITE/BROWN STRIPE | 7 | 7 |
| | BROWN | 8 | 8 |

| POWER CABLE CONNECTION | | | |
|------------------------|-------|--------|--------|
| | COLOR | SIDE A | SIDE B |
| | BLACK | PT1 | PT1 |
| | RED | PT2 | PT2 |

THIS PRINT IS
PRELIMINARY
 UNQUALIFIED PRODUCT
 CONTACT PRODUCT ENGINEERING
 BEFORE USING THIS PRINT

THIS DRAWING IS A CONTROLLED DOCUMENT.

| | | | |
|-------------|--|------------------|-----------|
| DIMENSIONS: | TOLERANCES UNLESS OTHERWISE SPECIFIED: | DWN | 18MAY2012 |
| mm | 0 PLC ± | CHK | 18MAY2012 |
| | 1 PLC ±0.2 | M. MOSTOLIER | |
| | 2 PLC ±0.13 | | |
| | 3 PLC ± | APVD | |
| | 4 PLC ± | | |
| MATERIAL | ANGLES ±3° | PRODUCT SPEC | 108-64022 |
| | FINISH | APPLICATION SPEC | |
| | | WEIGHT | |
| | | CUSTOMER DRAWING | |

PRELIMINARY

STE TE Connectivity
 CABLE ASSEMBLY,
 ETHERNET + POWER
 SHIELDED CABLE

| | | | |
|---------|-----------|------------|---------------|
| SIZE | CAGE CODE | DRAWING NO | RESTRICTED TO |
| A200779 | C-2213121 | | |
| SCALE | 7:4 | SHEET | 1 OF 1 |
| | | REV | 1 |