

THIS DRAWING IS UNPUBLISHED.

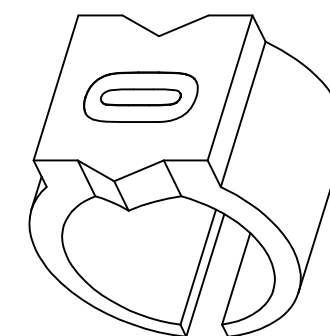
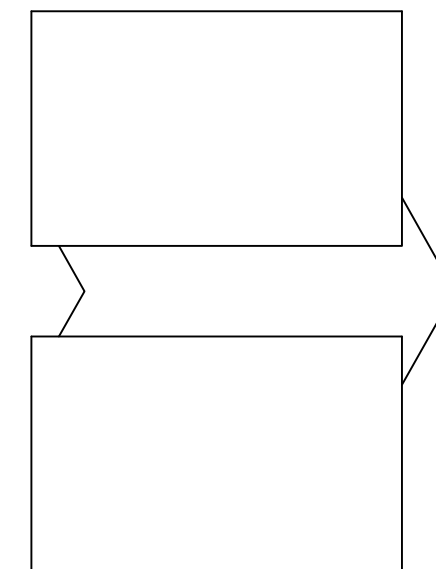
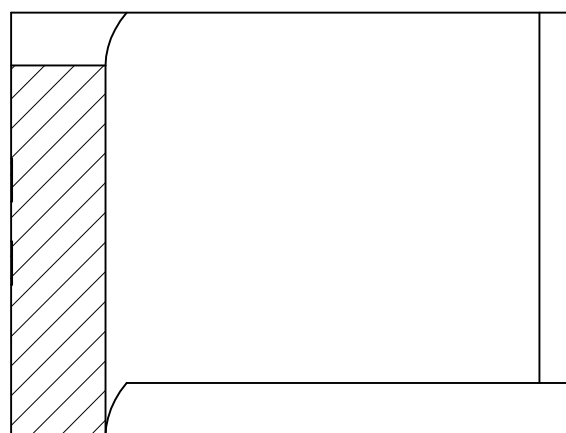
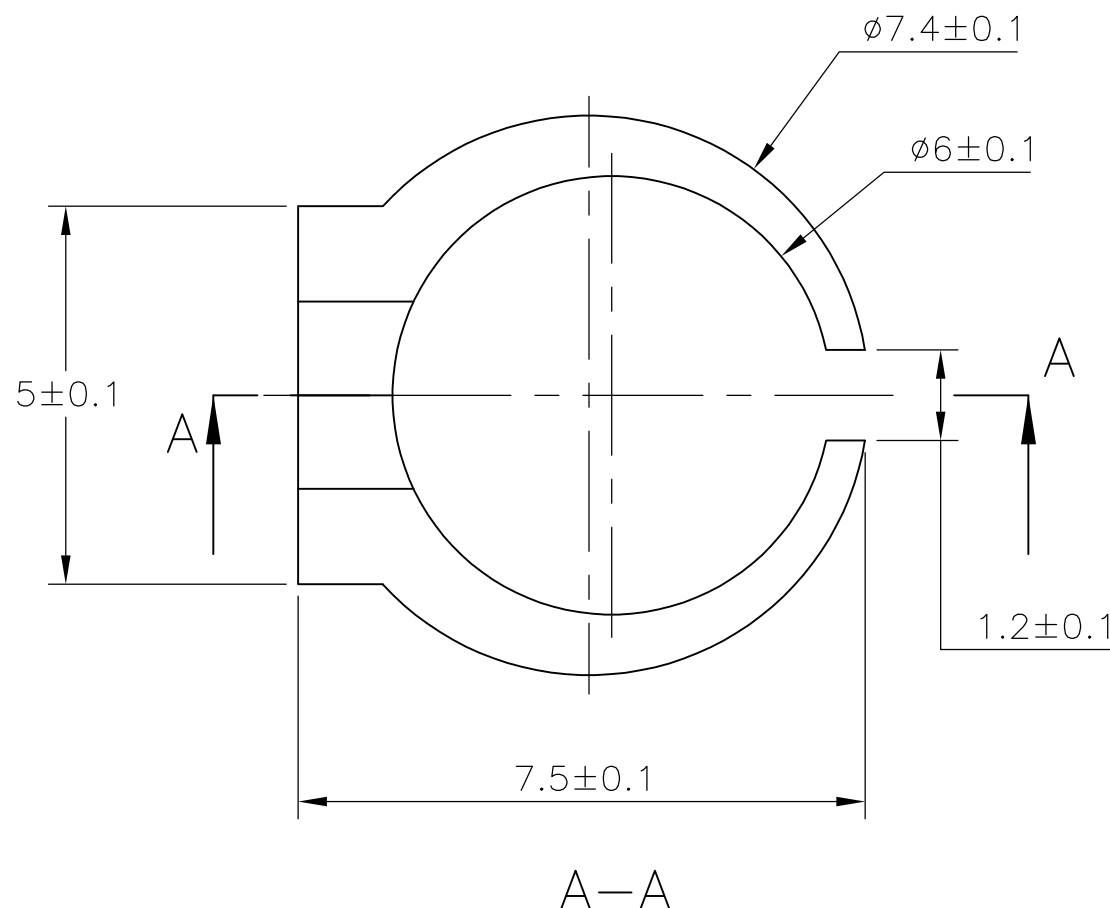
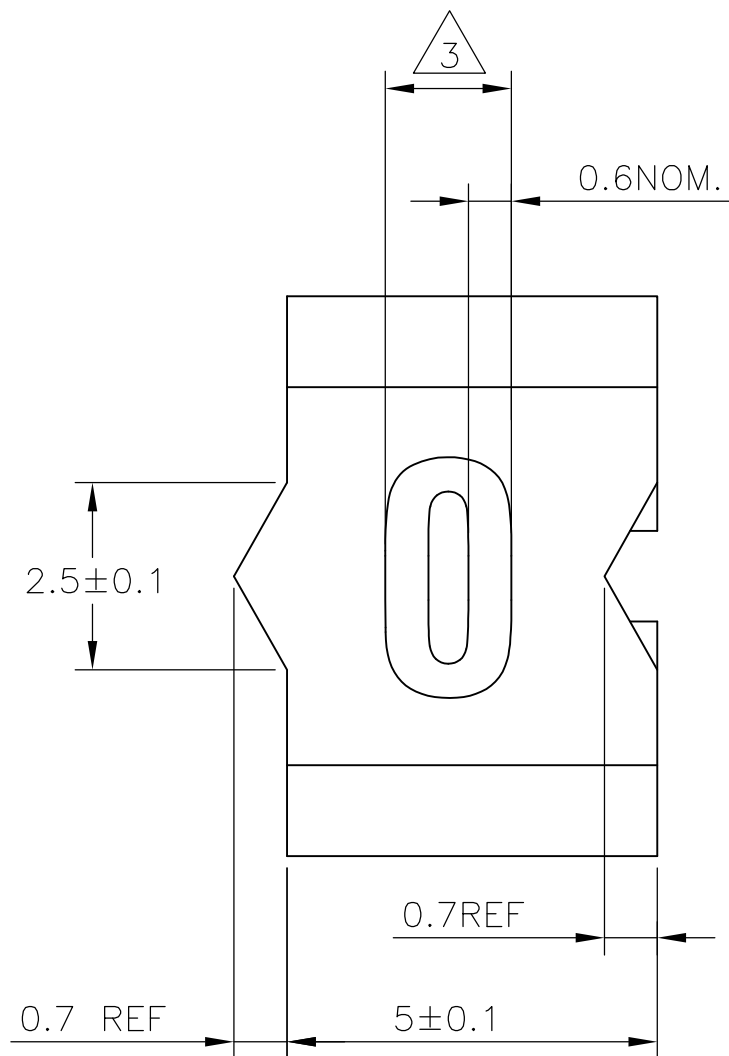
RELEASED FOR PUBLICATION

ALL RIGHTS RESERVED.

© COPYRIGHT - By -


REVISIONS

| P | LTR | DESCRIPTION | DATE | DWN | APVD |
|---|-----|---|-----------|-----|------|
| 3 | | STRIKE THROUGH OBS PARTS. ECR-16-009583 | 08JUL2016 | AFK | LS |
| 2 | | ECR-13-007797 | 07MAY2013 | KR | KA |



NOTES:

- 1 FOR PART NUMBER SEE SHEET 3 OF 3.
- 2 MARK SHOULD BE CENTRALLY POSITIONED ±0.1mm.
- 3 WIDTH OF MARK DEPENDS ON CHARACTER PRINTED

| | | | | | | | |
|---|--|------------------------------------|---|-----------------|--------------------|-----------------------------|--------------------|
| THIS DRAWING IS A CONTROLLED DOCUMENT. | | DWN RAGHAVENDRA K 22MAR2013 |  TE Connectivity | | | | |
| DIMENSIONS: mm | | CHK KEAN ALAN 22MAR2013 | | | | | |
| TOLERANCES UNLESS OTHERWISE SPECIFIED: | | APVD MARIO APPELLO 22MAR2013 | NAME SNAP-ON MARKER STB/STD SIZE 15 WITH APPLICATOR | | | | |
| 0 PLC ± - 1 PLC ± - 2 PLC ± - 3 PLC ± - 4 PLC ± - ANGLES ± - | | PRODUCT SPEC - | APPLICATION SPEC - | | | | |
| MATERIAL - | | FINISH - | WEIGHT 0 | SIZE A3 | CAGE CODE 00779 | DRAWING NO C-7-1768045-4 | RESTRICTED TO - |
| CUSTOMER DRAWING | | | SCALE NTS | SHEET 1 OF 3 | REV 3 | | |

THIS DRAWING IS UNPUBLISHED.

RELEASED FOR PUBLICATION

ALL RIGHTS RESERVED.

© COPYRIGHT - By -

REVISIONS

| P | LTR | DESCRIPTION | DATE | DWN | APVD |
|---|-----|-------------|------|-----|------|
| - | - | SEE SHEET 1 | - | - | - |

23° REF.

A-A

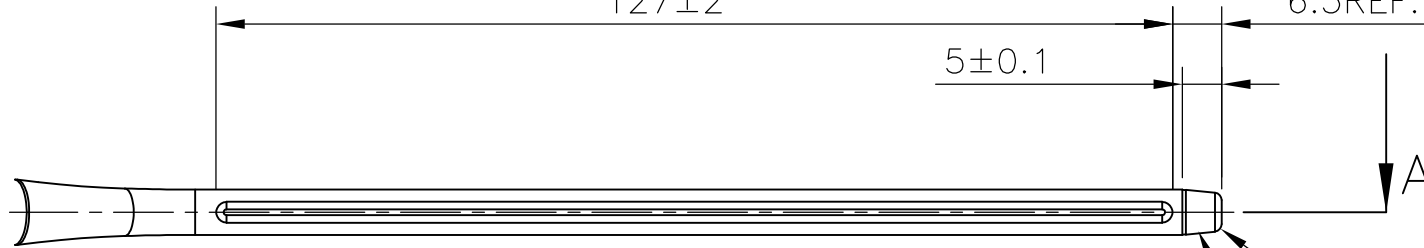


127±2

6.5 REF.

5±0.1

A



R1±0.1

R5±0.1

8.7±0.1

0.8±0.1

160±2

B

152.6° REF.

16 REF.

7 REF.

B-B

R1±0.05

1.3±0.1

2.8±0.1

6±0.25

15±0.5

5.5±0.5

THIS DRAWING IS A CONTROLLED DOCUMENT.

DWN 22MAR2013 RAGHAVENDRA K

CHK 22MAR2013 KEAN ALAN

APVD 22MAR2013 MARIO APPELLO

PRODUCT SPEC

APPLICATION SPEC

WEIGHT -

CUSTOMER DRAWING



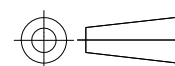
NAME SNAP-ON MARKER STB/STD SIZE 15 WITH APPLICATOR

SIZE A3 CAGE CODE 00779 DRAWING NO C-7-1768045-4 RESTRICTED TO -

SCALE NTS SHEET 2 of 3 REV 3

DIMENSIONS:

mm



TOLERANCES UNLESS OTHERWISE SPECIFIED:

- 0 PLC ± -
- 1 PLC ± -
- 2 PLC ± -
- 3 PLC ± -
- 4 PLC ± -
- ANGLES ± -

MATERIAL -

FINISH -

THIS DRAWING IS UNPUBLISHED.

RELEASED FOR PUBLICATION

© COPYRIGHT - By -

ALL RIGHTS RESERVED.

REVISIONS

| P | LTR | DESCRIPTION | DATE | DWN | APVD |
|---|-----|-------------|------|-----|------|
| - | - | SEE SHEET 1 | - | - | - |

| DESCRIPTION | PART NO. |
|---------------|-------------|
| STB15-0-0 | 6-1768039-0 |
| STB15-1-1 | 6-1768039-1 |
| STB15-1-2 | 2-1768413-1 |
| STB15-1-3 | 9-1768412-3 |
| STB15-1-5 | 6-1768039-2 |
| STB15-2-2 | 6-1768039-4 |
| STB15-2-5 | 6-1768039-5 |
| STB15-3-2 | 2-1768413-2 |
| STB15-3-3 | 6-1768039-7 |
| STB15-4-2 | 2-1768413-3 |
| STB15-5-2 | 2-1768413-4 |
| STB15-5-5 | 7-1768039-0 |
| STB15-6-6 | 7-1768039-2 |
| STB15-7-7 | 7-1768039-3 |
| STB15-8-8 | 7-1768039-6 |
| STB15-A-3 | 7-1768039-7 |
| STB15-A-5 | 7-1768039-8 |
| STB15-BLANK-0 | 8-1768039-0 |
| STB15-BLANK-1 | 8-1768039-1 |
| STB15-BLANK-2 | 8-1768039-2 |
| STB15-BLANK-3 | 8-1768039-3 |
| STB15-BLANK-5 | 8-1768039-4 |
| STB15-BLANK-6 | 8-1768039-5 |
| STB15-BLANK-7 | 8-1768039-6 |
| STB15-BLANK-8 | 8-1768039-7 |
| STB15-F-6 | 8-1768039-9 |
| STB15-H-2 | 9-1768039-0 |
| STB15-H-5 | 7-1768418-2 |
| STB15-L-5 | 9-1768039-2 |
| STB15-R-0 | 9-1768039-6 |
| STB15-R-5 | 9-1768039-8 |
| STB15-S-5 | 7-1768418-3 |

| DESCRIPTION | PART NO. |
|------------------------|------------------------|
| STB15-T-6 | 1768040-1 |
| STB15-V-6 | 1768040-3 |
| STD15-APPLICATOR | 5-1768045-4 |
| STD15W-0 | 5-1768045-5 |
| STD15W-1 | 916500-000 |
| STD15W-2 | 631526-000 |
| STD15W-3 | 883382-000 |
| STD15W-4 | 924992-000 |
| STD15W-5 | 381396-000 |
| STD15W-6 | 545292-000 |
| STD15W-7 | 360170-000 |
| STD15W-8 | 075056-000 |
| STD15W-9 | 054712-000 |
| STD15W-A | 755008-000 |
| STD15W-A-LC | 5-1768045-7 |
| STD15W-B | 802902-000 |
| STD15W-BLANK | 5-1768045-8 |
| STD15W-C | 838714-000 |
| STD15W-D | 629606-000 |
| STD15W-D-LC | 6-1768045-0 |
| STD15W-DOT | 6-1768045-1 |
| STD15W-E | 133110-000 |
| STD15W-EARTH | 6-1768045-2 |
| STD15W-F | 537002-000 |
| STD15W-G | 685362-000 |
| STD15W-H | 863976-000 |
| STD15W-H-LC | 6-1768045-2 |
| STD15W-I | 913588-000 |
| STD15W-J | 344640-000 |
| STD15W-K | 501372-000 |
| STD15W-L | 002648-000 |

| DESCRIPTION | PART NO. |
|--------------|-------------|
| STD15W-M | 347828-000 |
| STD15W-MINUS | 6-1768045-9 |
| STD15W-N | 612672-000 |
| STD15W-P | 388482-000 |
| STD15W-PLUS | 7-1768045-2 |
| STD15W-Q | 621494-000 |
| STD15W-R | 325234-000 |
| STD15W-S | 544426-000 |
| STD15W-SLASH | 857128-000 |
| STD15W-T | 845482-000 |
| STD15W-U | 126270-000 |
| STD15W-V | 907764-000 |
| STD15W-W | 071812-000 |
| STD15W-X | 362816-000 |
| STD15W-Y | 578440-000 |
| STD15W-Z | 063698-000 |
| STD15Y-0 | 7-1768045-4 |
| STD15Y-1 | 7-1768045-5 |
| STD15Y-2 | 7-1768045-6 |
| STD15Y-3 | 7-1768045-7 |
| STD15Y-4 | 7-1768045-8 |
| STD15Y-5 | 7-1768045-9 |
| STD15Y-6 | 8-1768045-0 |
| STD15Y-7 | 8-1768045-1 |
| STD15Y-8 | 8-1768045-2 |
| STD15Y-9 | 8-1768045-3 |
| STD15Y-A | 8-1768045-4 |
| STD15Y-B | 8-1768045-7 |
| STD15Y-BLANK | 8-1768045-8 |
| STD15Y-C | 9-1768045-0 |

| DESCRIPTION | PART NO. |
|--------------|-------------|
| STD15Y-COLON | 9-1768045-1 |
| STD15Y-D | 9-1768045-2 |
| STD15Y-DOT | 9-1768045-4 |
| STD15Y-E | 9-1768045-5 |
| STD15Y-EARTH | 9-1768045-6 |
| STD15Y-F | 9-1768045-8 |
| STD15Y-G | 1768046-1 |
| STD15Y-H | 1768046-3 |
| STD15Y-I | 1768046-5 |
| STD15Y-J | 1768046-6 |
| STD15Y-K | 1768046-7 |
| STD15Y-L | 1768046-9 |
| STD15Y-M | 1-1768046-1 |
| STD15Y-MINUS | 1-1768046-2 |
| STD15Y-N | 1-1768046-4 |
| STD15Y-P | 1-1768046-6 |
| STD15Y-PLUS | 1-1768046-7 |
| STD15Y-Q | 1-1768046-8 |
| STD15Y-R | 1-1768046-9 |
| STD15Y-S | 2-1768046-1 |
| STD15Y-SLASH | 2-1768046-2 |
| STD15Y-T | 2-1768046-3 |
| STD15Y-U | 2-1768046-4 |
| STD15Y-V | 2-1768046-5 |
| STD15Y-W | 2-1768046-6 |
| STD15Y-X | 2-1768046-7 |
| STD15Y-Y | 2-1768046-8 |
| STD15Y-Z | 2-1768046-9 |



OBSOLETE PART

THIS DRAWING IS A CONTROLLED DOCUMENT.

DWN 22MAR2013 RAGHAVENDRA K

CHK 22MAR2013 KEAN ALAN

APVD 22MAR2013 MARIO APPELLO

PRODUCT SPEC

APPLICATION SPEC

WEIGHT -

CUSTOMER DRAWING



NAME SNAP-ON MARKER STB/STD SIZE 15 WITH APPLICATOR

SIZE A3 CAGE CODE 00779 DRAWING NO C-7-1768045-4 RESTRICTED TO -

SCALE NTS SHEET 3 OF 3 REV 3