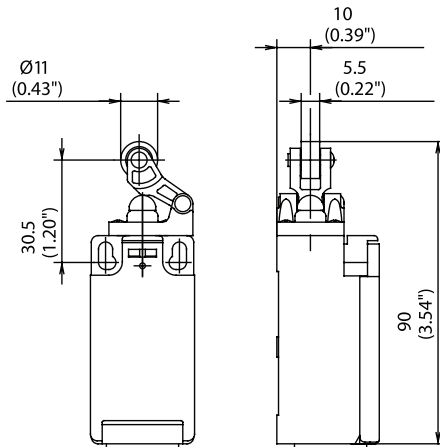


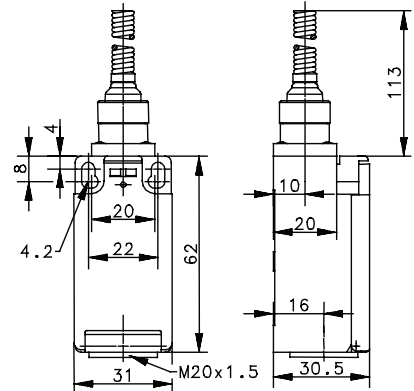
I88 Series



HW RO11 (Form E)



FF

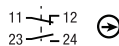


Switching Operation

1 NC / 1 NO Contacts

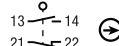
Slow Action

608.6121.021
I88-U1Z HW RO11



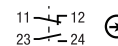
Snap Action

608.6171.022
I88-SU1Z HW RO11



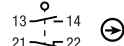
Slow Action

618.6140.217
I88-U1 FF



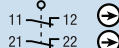
Snap Action

608.6190.078
I88-SU1 FF



2 NC Contacts

608.6821.099
I88-A2Z HW RO11



-

-

-

2 NO Contacts

608.6821.068
I88-E2 HW RO11



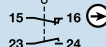
-

-

-

1 NC / 1 NO Contacts Overlapping

608.6321.100
I88-UV1Z HW RO11



-

-

-

Replacement actuator:

391.8191.547

391.8401.031

Technical Information

| | Slow Action | Snap Action |
|----------------------------------|----------------------|----------------------|
| Maximum Switching Voltage | 240V | 240V |
| Max. Switching Amps (up to)* | 10A | 10A |
| B10d (up to)* | 20 Million | 20 Million |
| Mechanical Service Life (up to)* | 3 x 10 ⁶ | 10 x 10 ⁶ |
| Switching Frequency | ≤ 100/min | ≤ 100/min |
| Operating Temperature | -30 °C to +80 °C | -30 °C to +80 °C |
| Protection Rating | IP65 | IP65 |
| Utilization Category (up to)* | AC-15, Ue/Ue 240V 3A | AC-15, Ue/Ue 240V 3A |
| Rate Insulation Voltage | 250VAC | 250VAC |

| | Slow Action | Snap Action |
|----------------------------------|----------------------|----------------------|
| Maximum Switching Voltage | 240V | 240V |
| Max. Switching Amps (up to)* | 10A | 10A |
| B10d (up to)* | 20 Million | 20 Million |
| Mechanical Service Life (up to)* | 10 x 10 ⁶ | 10 x 10 ⁶ |
| Switching Frequency | ≤ 100/min | ≤ 100/min |
| Operating Temperature | -30 °C to +80 °C | -30 °C to +80 °C |
| Protection Rating | IP65 | IP65 |
| Utilization Category (up to)* | AC-15, Ue/Ue 240V 3A | AC-15, Ue/Ue 240V 3A |
| Rate Insulation Voltage | 250VAC | 250VAC |

Approvals

* Depending on switching system - see technical information for details



Special features/variants (on request)

- Available with black enclosure
- With steel roller
- Different roller diameters

Special features/variants (on request)

- Available with black enclosure
- Various spring lengths
- Different spring type or spring rod

Drawing dimensions in mm