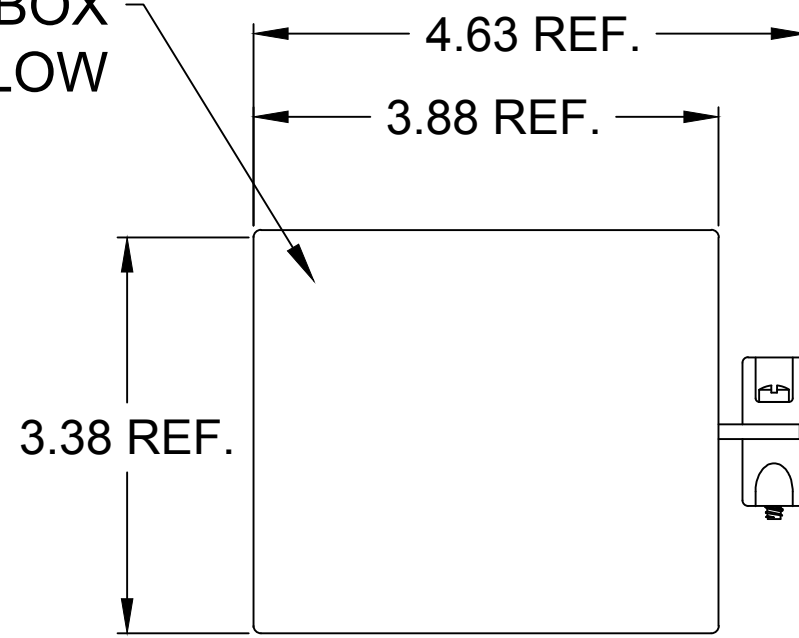
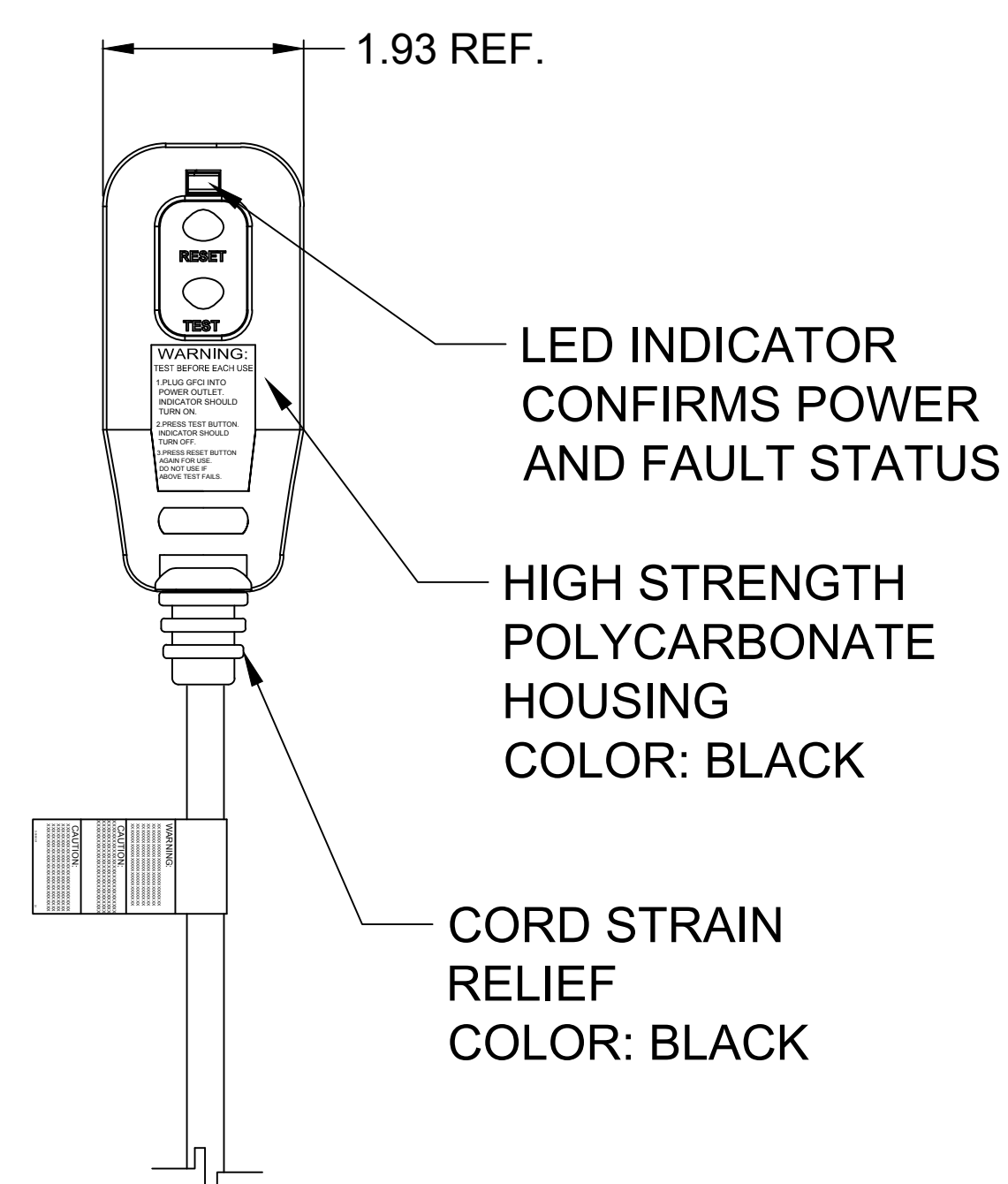
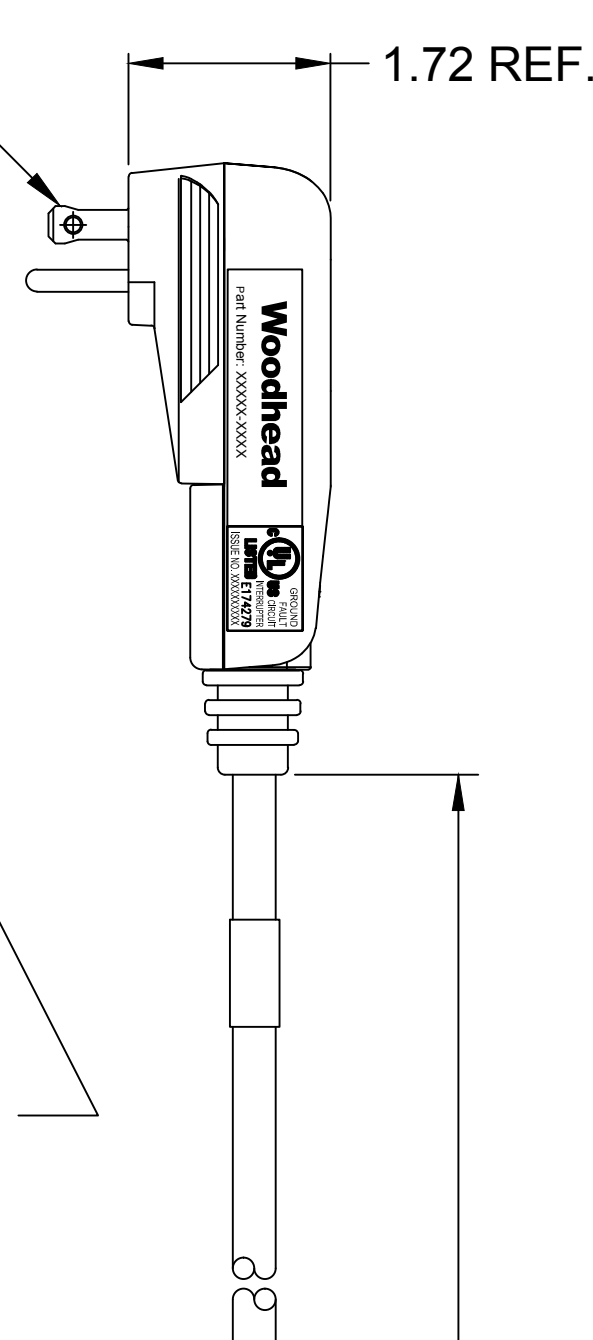


RUBBER BOX  
COLOR: YELLOW



#12-3 SJTW  
300V CORD  
COLOR: YELLOW

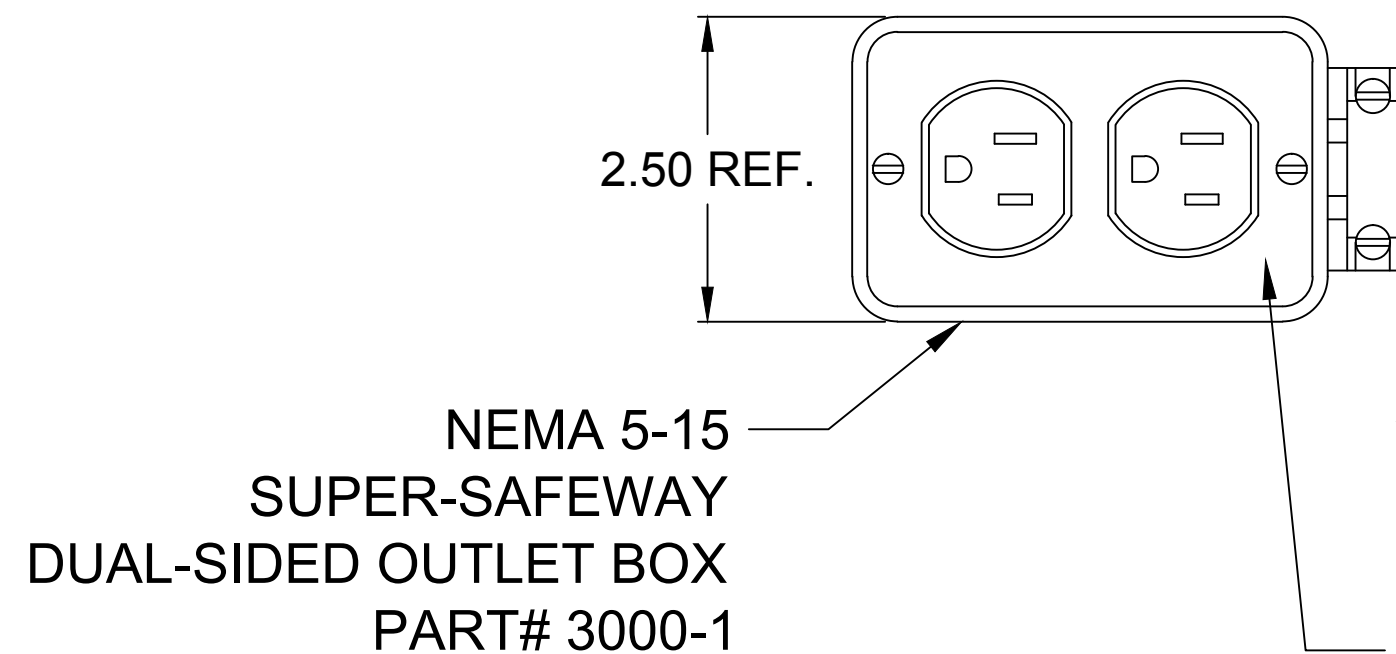
NYLON CORD CLAMP  
COLOR: YELLOW



LED INDICATOR  
CONFIRMS POWER  
AND FAULT STATUS

HIGH STRENGTH  
POLYCARBONATE  
HOUSING  
COLOR: BLACK

CORD STRAIN  
RELIEF  
COLOR: BLACK



NEMA 5-15  
SUPER-SAFEWAY  
DUAL-SIDED OUTLET BOX  
PART# 3000-1

NYLON COVER PLATE  
COLOR: YELLOW

LENGTH "L"

**TECHNICAL:**  
LISTED: UL AND cUL  
RATED SUPPLY VOLTAGE: 120 VAC  
RATED CURRENT: UP TO 15 AMPS OR CABLE RATING  
RESET TYPE: AUTOMATIC OR MANUAL  
OPERATING FREQUENCY: 60 Hz  
TYPE: CLASS A  
GROUND TRIP CURRENT: 4-6 mA  
OVERLOAD CURRENT: 90 AMP 125 VAC  
INSULATION VOLTAGE: 1,500 VRMS – 1 MINUTE  
ENDURANCE OPERATIONS: 3000 OPERATIONS

MATERIAL NO.	ENGINEERING NO.	LENGTH "L"	POWER-UP
1301530075	15053-2A	2 FT ± 1 IN	AUTO
1301530073	15053-25A	25 FT ± 2 IN	AUTO
1301530078	15053-50A	50 FT ± 4 IN	AUTO
1301530076	15053-2M	2 FT ± 1 IN	MANUAL
1301530074	15053-25M	25 FT ± 2 IN	MANUAL
1301530079	15053-50M	50 FT ± 4 IN	MANUAL

INITIAL RELEASE EC NO: IPG2013-1078 DRWN: HRUIZ01 2013/02/08 CHKD: HKNEELAN 2014/07/22 APPR: JFMURPHY 2015/04/20	REV A	DESCRIPTION QUALITY SYMBOL ▽=0 ▽C=0	GENERAL TOLERANCES (UNLESS SPECIFIED)		DIMENSION STYLE INCH		SCALE NTS	DESIGN UNITS INCH	THIRD ANGLE PROJECTION			
				mm	INCH	DRAWN BY HRUIZ01	DATE 2013/02/08	TITLE 120V 15A GFCI PLUG W/ RCPT BOX NEMA 5-15				
			4 PLACES	±---	±---	CHECKED BY HKNEELAN	DATE 2014/07/22					
			3 PLACES	±---	±.005	APPROVED BY JFMURPHY		DATE 2015/04/20	MOLEX INCORPORATED		SHEET NO. 1 OF 1	
DRAFT WHERE APPLICABLE MUST REMAIN WITHIN DIMENSIONS			ANGULAR ±1/2°		MATERIAL NO. SEE TABLE		DOCUMENT NO. SD-130153-019		THIS DRAWING CONTAINS INFORMATION THAT IS PROPRIETARY TO MOLEX INCORPORATED AND SHOULD NOT BE USED WITHOUT WRITTEN PERMISSION			