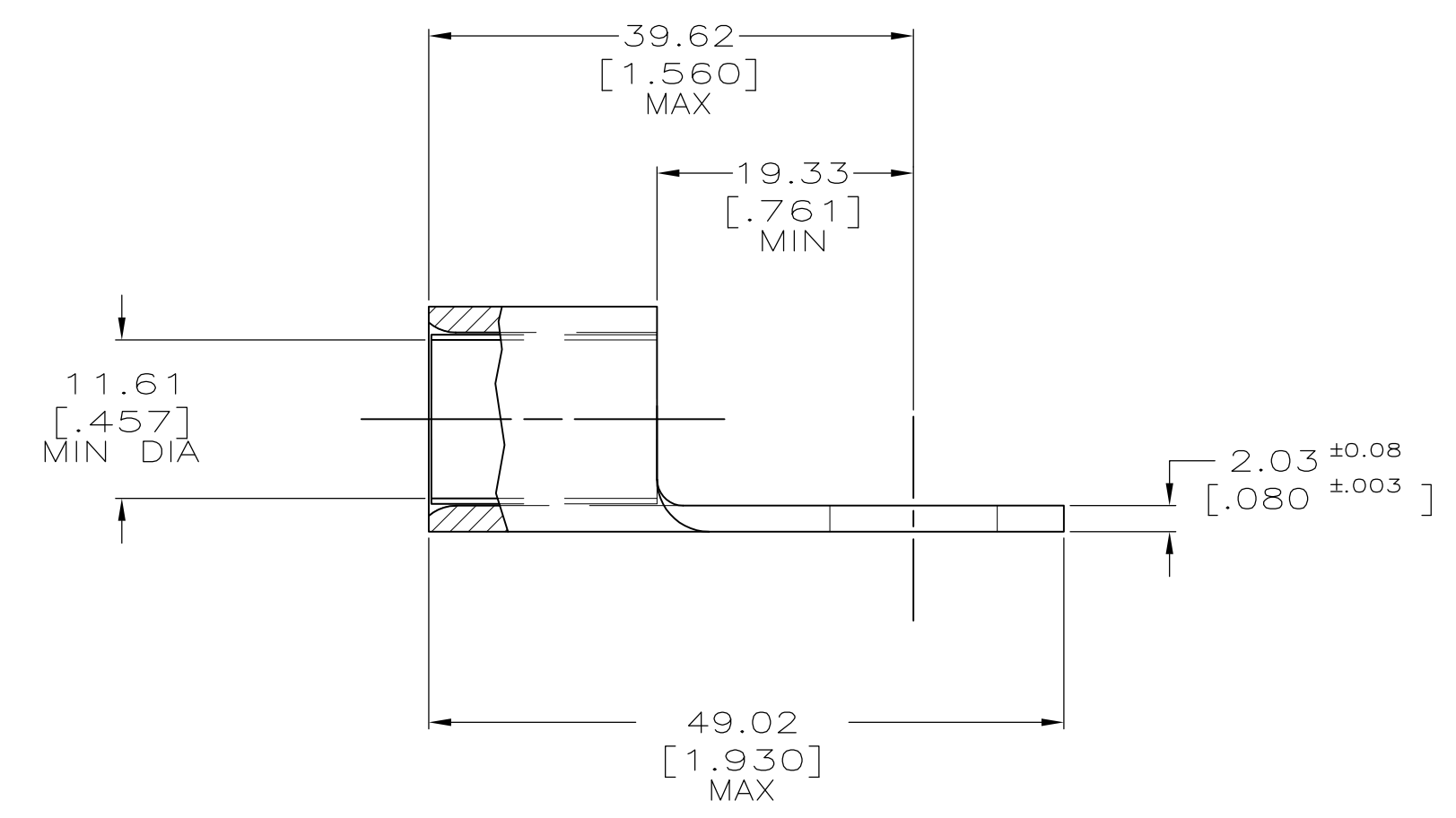
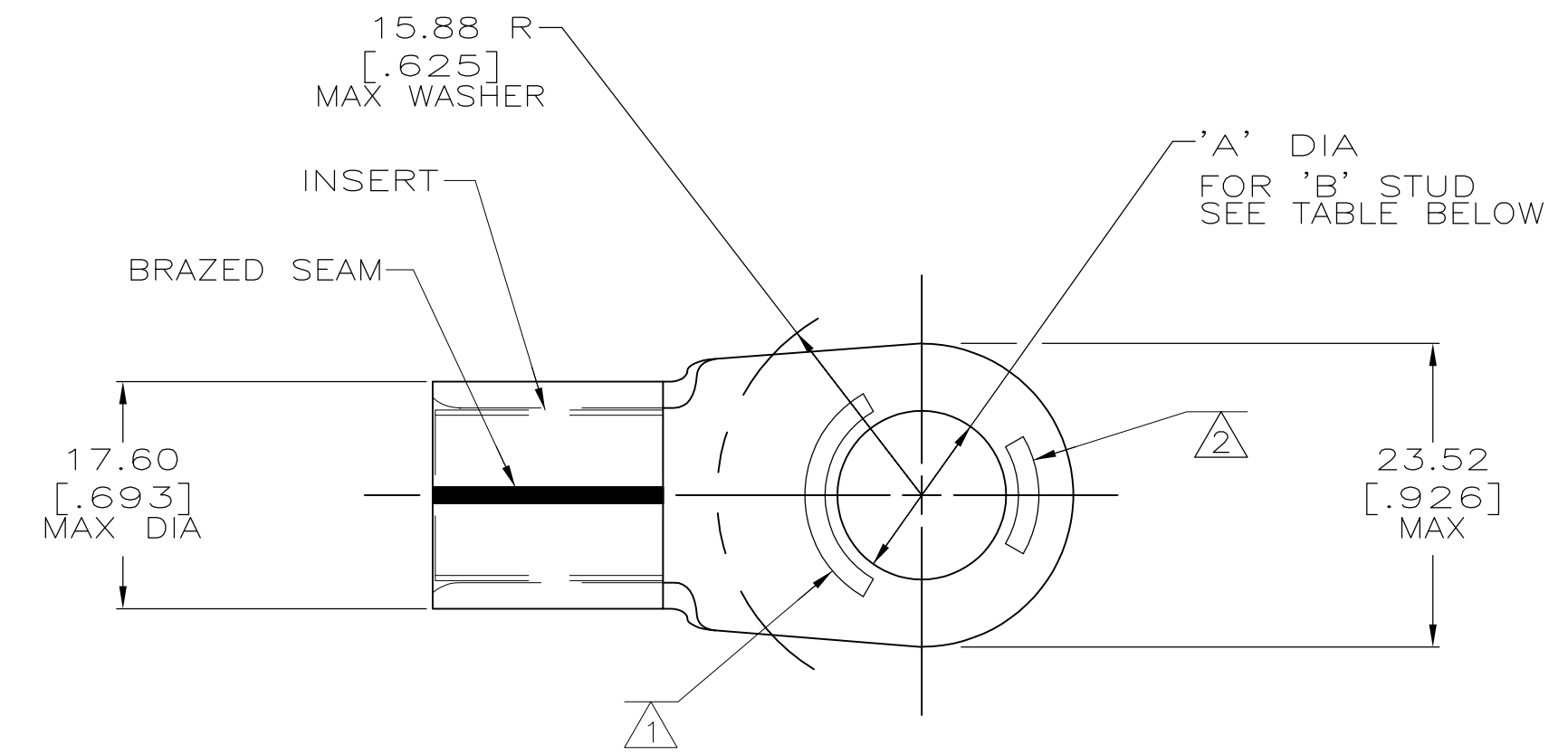


LOC	DIST	REVISIONS			DATE	DWN	APVD
P	LTR	DESCRIPTION					
	M	REV PER ECO 13-016525		12-9-13	CT	JW	

METRIC
 DIMENSIONS LISTED IN mm [INCHES]



AMP WIRE RANGE	E13288 Listed
2/0 AWG SOLID OR STRANDED	2/0 AWG STRANDED
LR7189 Certified	MILITARY P/N AND CLASS
2/0 AWG SOLID OR STRANDED	NOT APPLICABLE

- ① STAMP AMP 2/0W* APPROX AS SHOWN
- ② STAMP 125 APPROX AS SHOWN

BODY: COPPER ASTM B-152 TIN PLATE 0.00254[.000100] MIN THK PER MIL-T-10727	13.08 ±0.13 [.515 ±0.005]	1/2	51989-3
	9.91 ±0.13 [.390 ±0.005]	3/8	51989-2
	8.33 ±0.13 [.328 ±0.005]	5/16	51989-1
	6.73 ±0.13 [.265 ±0.005]	1/4	51989
INSERT: BRASS PER MIL-C-50 TIN PLATE 0.00762[.000300] MIN EXT THK PER MIL-T-10727	'A'	'B'	PART NO

AMP INCORPORATED CUSTOMER SERVICE SYSTEMS		MAX RECOMMENDED OPERATING TEMPERATURE: 150°C MAX
FOR ADDITIONAL PRODUCT INFORMATION OR COPIES OF DRAWINGS AND TECHNICAL DOCUMENTS	PRODUCT INFORMATION CENTER 1-800-522-6752	VOLTAGE RATING: NOT APPLICABLE
FOR APPLICATION TOOLING INFORMATION	TOOLING ASSISTANCE CENTER 1-800-722-1111	WIRE CROSS SECTIONAL AREA RANGE: 60.6-76.3mm ² [119,500-150,500] CIR MILS SOLID OR STRANDED
FOR ORDER ENTRY	1-800-526-5142	THIS DRAWING IS A CONTROLLED DOCUMENT FOR AMP INCORPORATED. IT IS SUBJECT TO CHANGE AND THE CONTROLLING ENGINEERING ORGANIZATION SHOULD BE CONTACTED FOR THE LATEST REVISION.

THIS DRAWING IS A CONTROLLED DOCUMENT.		DWN DK SCHRUM 1/20/94	TE Connectivity	
DIMENSIONS: MM [INCHES]		CHK AJ KAUFMAN 1/21/94	NAME TERMINAL, RING TONGUE, COPALUM TM	
TOLERANCES UNLESS OTHERWISE SPECIFIED:		APVD -	PRODUCT SPEC -	
0 PLC ± -		APPLICATION SPEC -		
1 PLC ± -		SIZE A2		
2 PLC ± 0.20[.008]		CAGE CODE 00779		
3 PLC ± -		DRAWING NO G-51989		
4 PLC ± -		RESTRICTED TO -		
ANGLES ± ± -		WEIGHT -		
MATERIAL SEE TABLE	FINISH SEE TABLE	CUSTOMER DRAWING		
		SCALE 2:1		SHEET 1 OF 1
				REV M