

T H E R M O M E T R I C S
A C O M M I T M E N T T O E X C E L L E N C E

Integrated Pipe Clip Surface Temperature Sensor JS8741



The JS8741 Integrated Pipe Clip Surface Temperature Sensor is a clip-on temperature sensor that monitors the temperature of a fluid or gas that passes through a pipe or tubing circulation system. A system control module receives this temperature reading and uses a control loop to control the overall system temperature. This could be engine temperature, heater temperature, industrial or process supply line temperature, etc.

Applications

- Engine Coolant Temperature
- Battery Pack Coolant Line Temperature
- Process Flow Management
- HVAC Water and Refrigeration
- Home Appliances

Features

- Quick Mount Spring-Loaded Clip
- Easy-mount spring clip of galvanized spring steel
- High sensitivity temperature measurement
- Compact design
- Integrated connector with locking mechanism
- VW75174 Approved Connector System
- IP57 Ingression Protection Rating

Amphenol
Advanced Sensors

JS8741 Specifications

Operating Temperature

-40°C to 85°C

Storage Temperature

-40°C to 85°C

R @ 25°C

30.0 k Ω \pm 5% @ 25 °C – JS8741C

(Customized resistance versus temperature is possible)

Beta (25/85)°C

3977 K

Response Time

~20 seconds mounted on a metallic pipe

Housing Material

Polyamide 6

Color: Grey

Clip Material

Galvanized Steel

Weight

10g

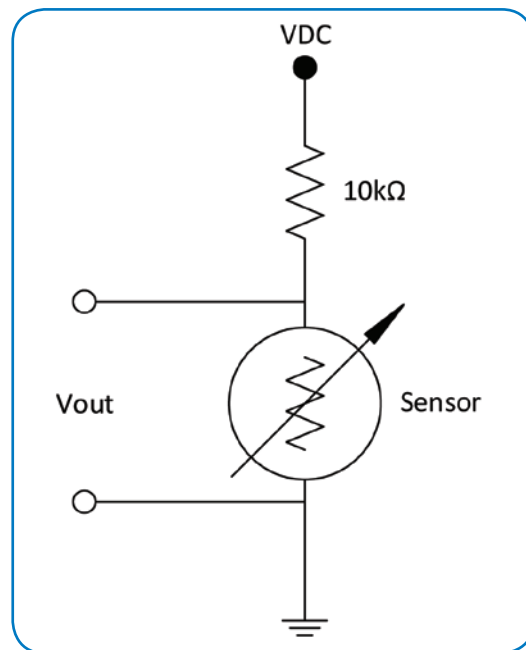
Mating Connector

Amphenol FEP - 428 313 000

TE Connectivity (TE) 1-1718643-1

Homologations

ISO 16750

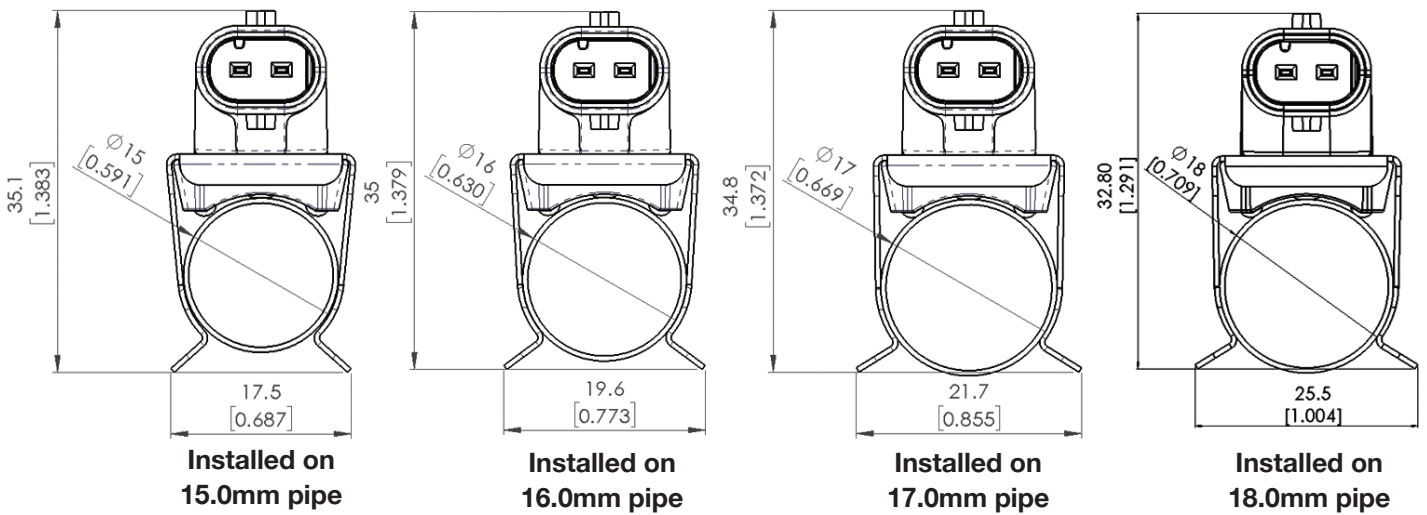
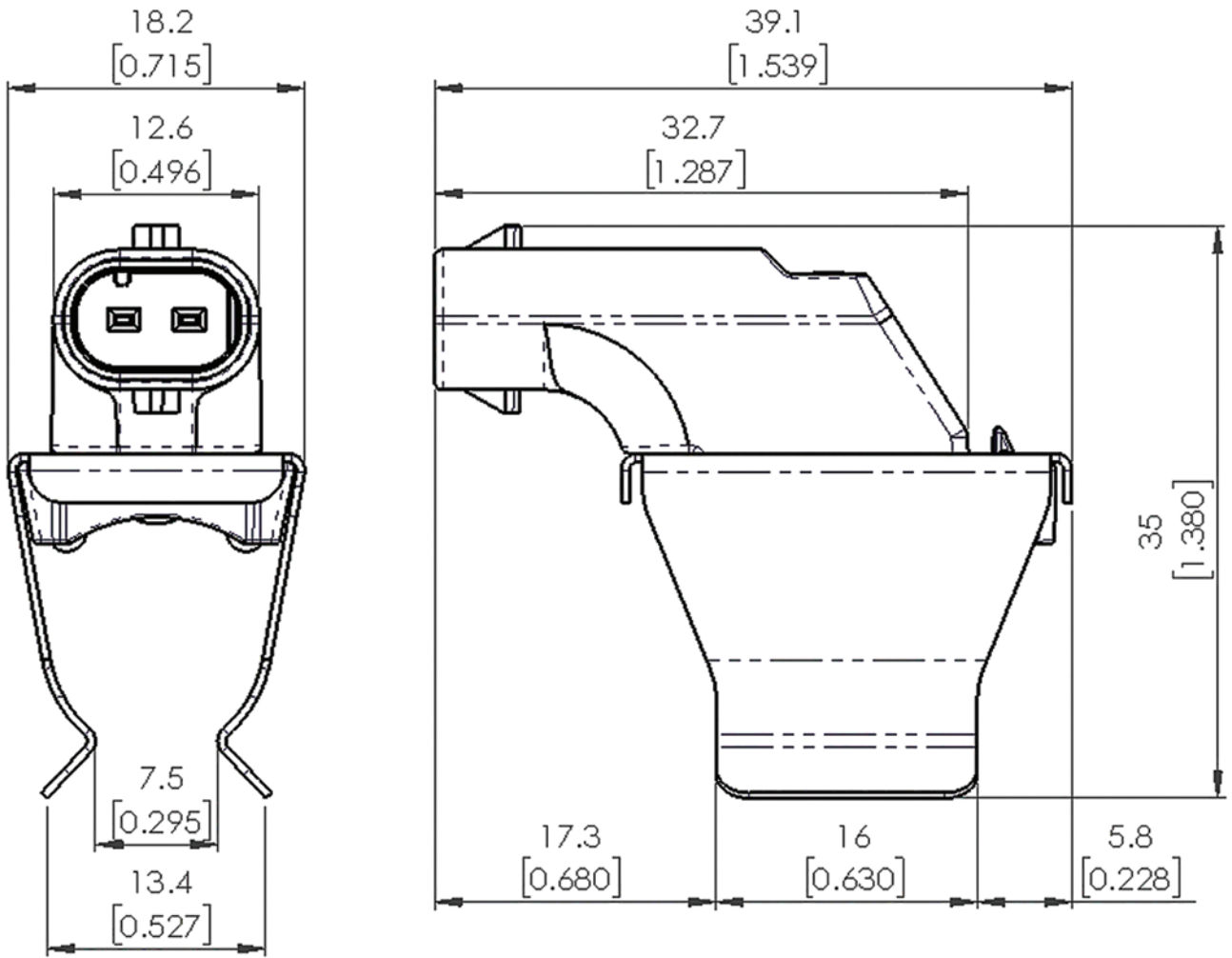


Typical Circuit Diagram



Typical Application

JS8741 Specifications



Dimensions are in mm [IN]

Dimensions shown are for envelope size. Contact Product Engineering for detailed drawings.

JS8741 Ordering Options

Part Number	Resistance @ 25°C
JS8741C	30.0K Ω +/- 5%

Mouser Electronics

Authorized Distributor

Click to View Pricing, Inventory, Delivery & Lifecycle Information:

[Amphenol:](#)

[JS8741A](#) [JS8741C](#) [JS8741B](#)