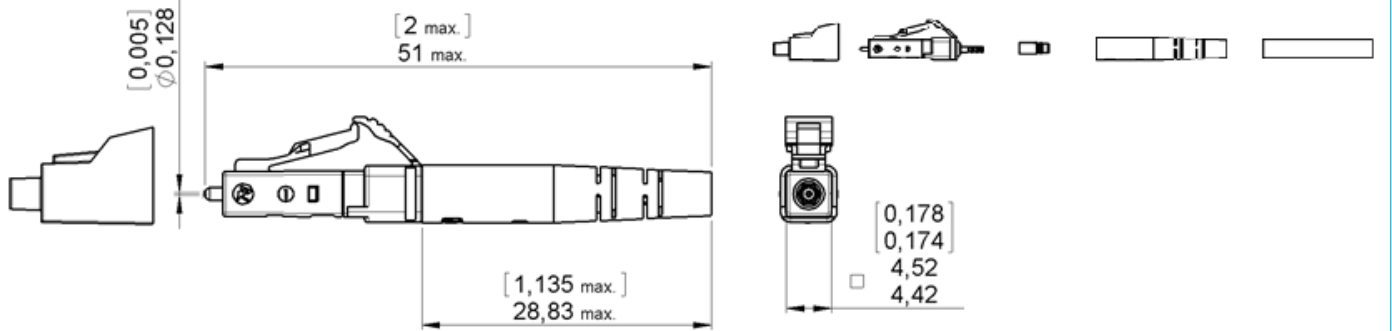


PAGE 1/2	ISSUE 04-06-13	SERIES LC	PART NUMBER <b>F727003500Y</b>
----------	----------------	-----------	--------------------------------



Dimensions: mm [inches]

**GENERAL**

**Type:** IEC 61754-20 (LC)  
Multimode Zirconia ferrule  
RJ-45 latching connector system

**Ferrule inner diameter:** Ø128µm

**Fiber size:** 50/125µm or 62.5/125µm Multimode

**Cable size & type:** Ø1.6 – 2.2mm Simplex aerospace grade, loose structure

**Termination:** Refer to 503.08.640 assembly instruction manual

**Color:** BEIGE

**CHARACTERISTICS** (Dependent on cable or fiber construction)

**Optical:** Attenuation at 850nm and 1300nm  
Insertion loss (IEC 61300-3-4 method B) : ≤0.5dB Stand.dev

Return loss (IEC 61300-3-6) : >20dB PC

**Mechanical:** Vibration tests: 10 to 55 Hz , 1,5 mm (peak to peak) , 2 Hr/axis  
Impact test: 1,5 m drop , 8 cycles  
Endurance : 200 matings  
Cable retention : 68 N

**Environmental:** Storage temperature range: -55°C / +125°C\*  
Operating temperature range: -55°C / +125°C  
Humidity/Condensation cycling test: 95% RH, -10°C to + 65°C, 14 cycles, 168 Hr

(Performance and specification: see document **GEN\_F727 001**)

PAGE 2/2	ISSUE <b>04-06-13</b>	SERIES <b>LC</b>	PART NUMBER <b>F727003500Y</b>
----------	-----------------------	------------------	--------------------------------

\*Except Cap and Packing