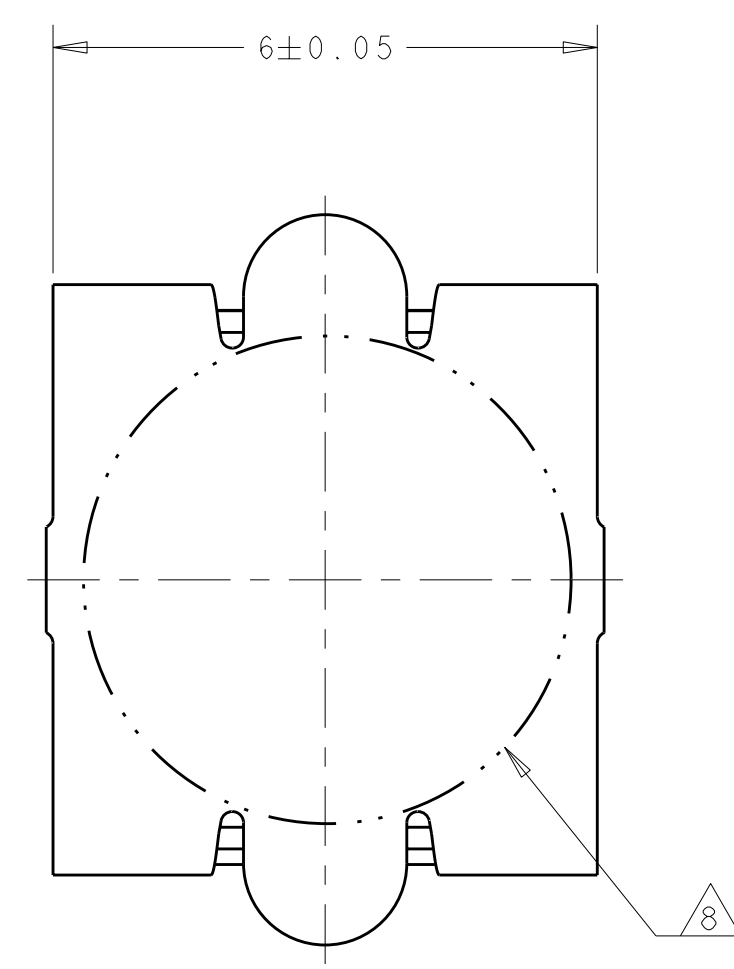
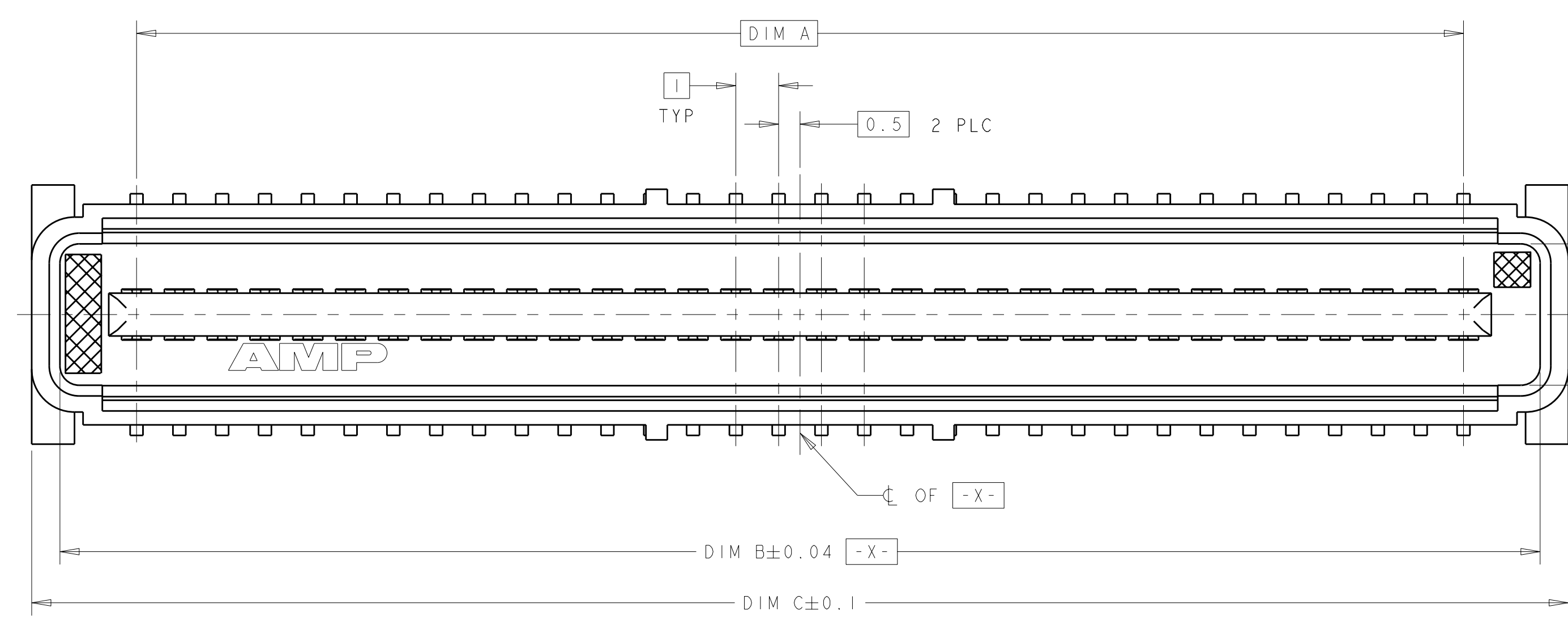
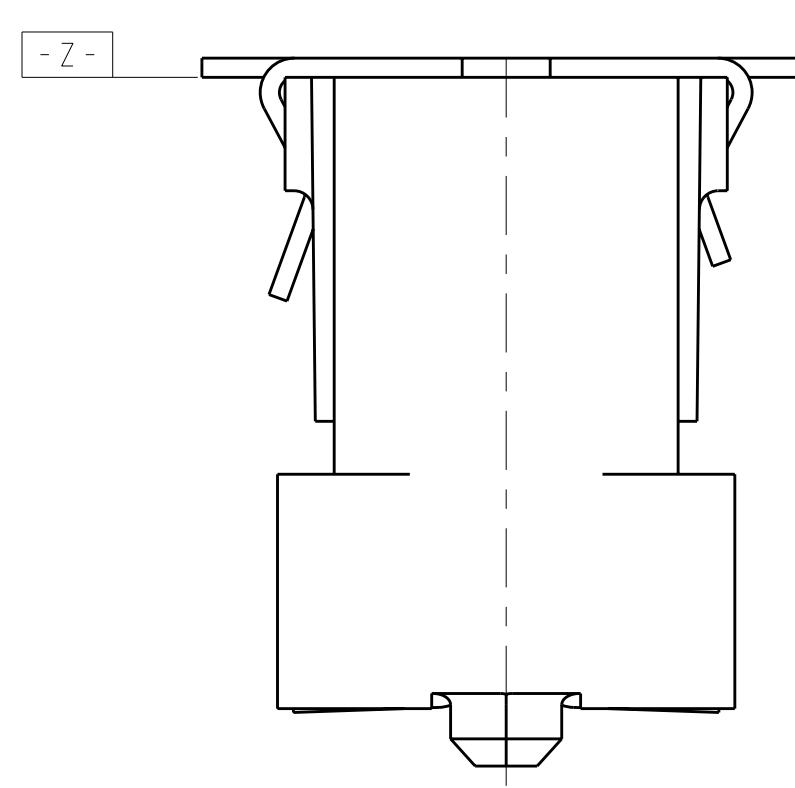
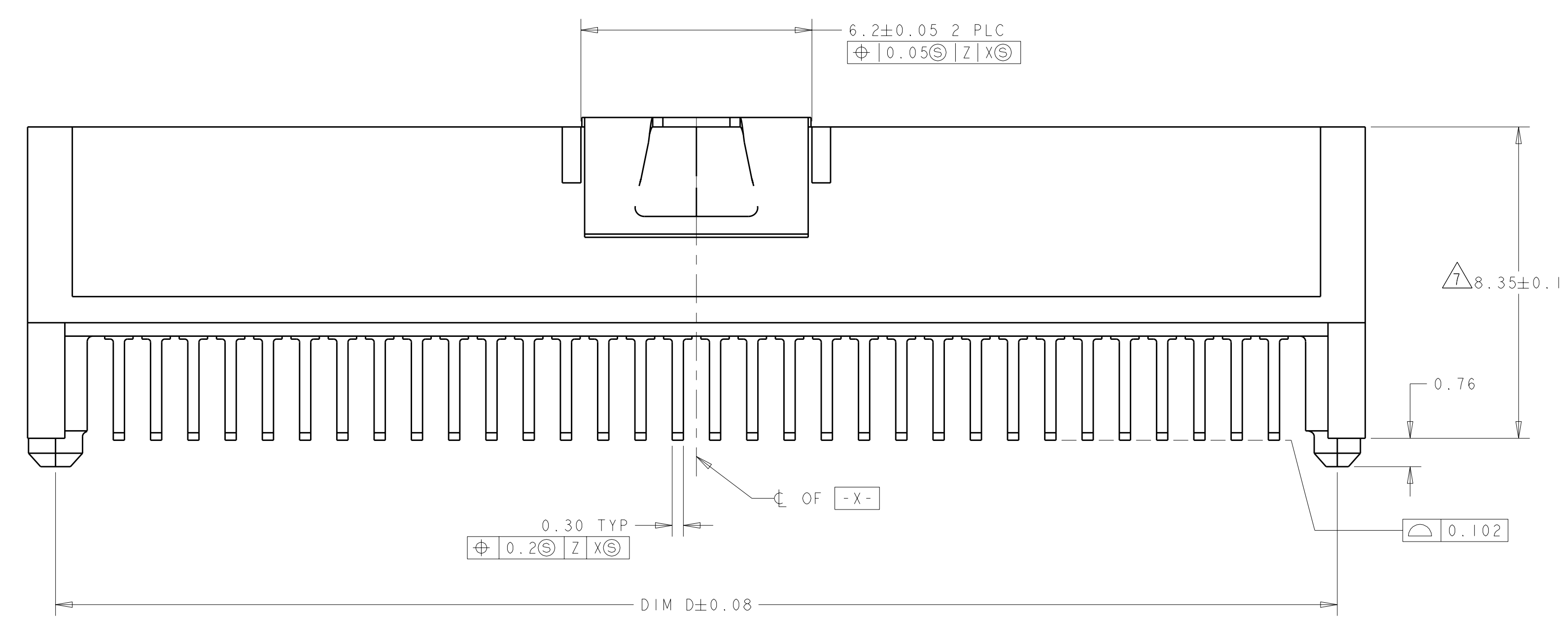


| LOC | DIST | REV | DATE      | BY | CHK | APPD |
|-----|------|-----|-----------|----|-----|------|
| AD  | 00   | B2  | 11MAR2011 | RK | HMR |      |

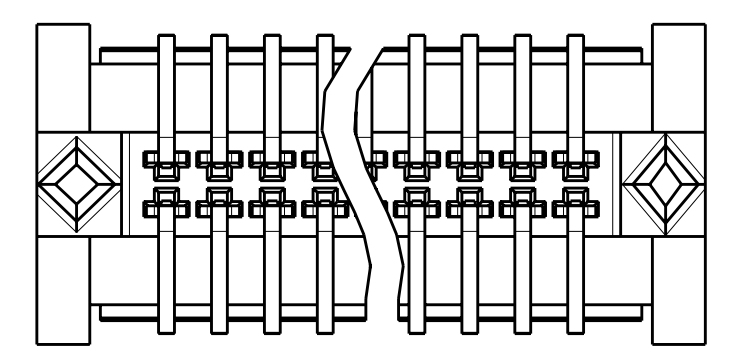


VACUUM COVER

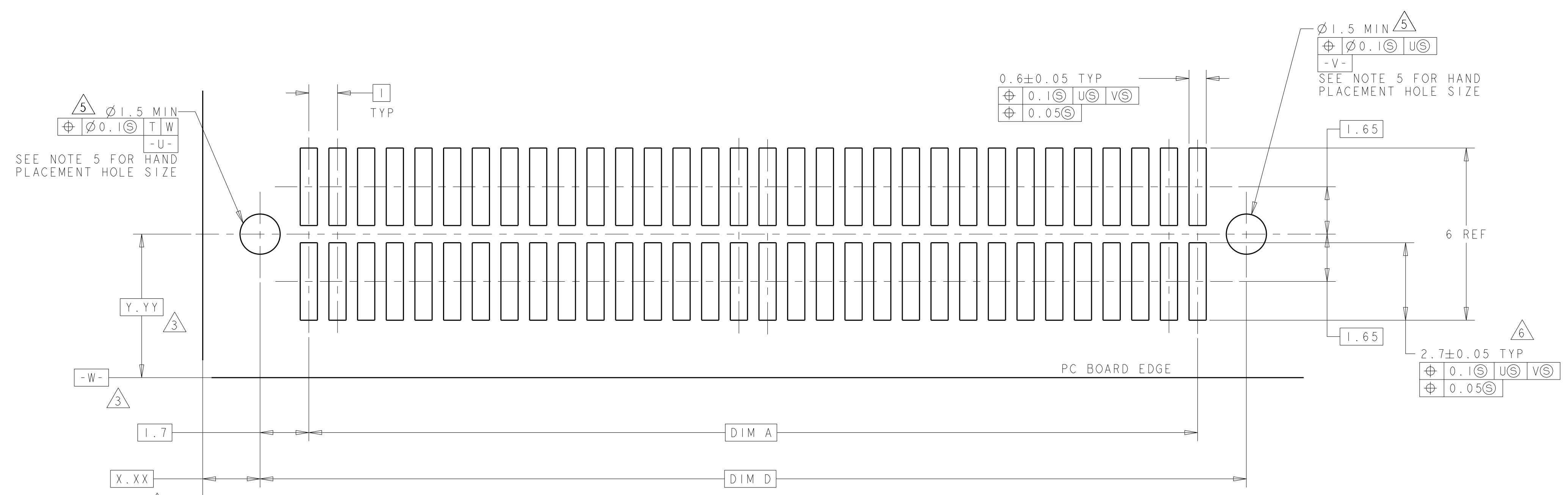
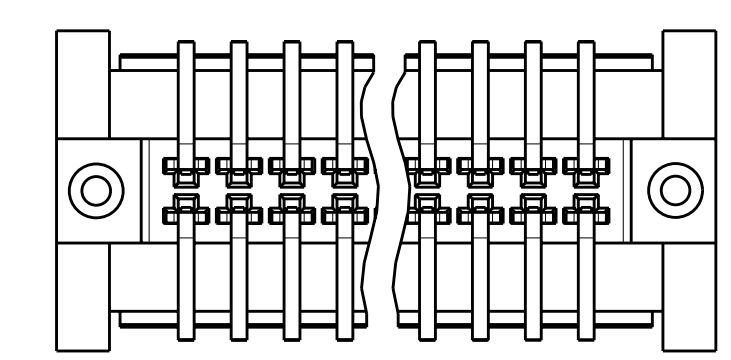
- 1 HOUSING MATERIAL: LIQUID CRYSTAL POLYMER COLOR: BLACK. CONTACT MATERIAL: PHOSPHOR BRONZE.
- 2 CONTACT FINISH: NICKEL UNDERPLATE ALL OVER, MATING SURFACES PLATED TO MEET PLI PERFORMANCE REQUIREMENTS OF INDUSTRY SPECIFICATION EIA-700AAAB, SOLDER TAILS PLATED TIN.
- 3 DATUM LOCATIONS AND BASIC DIMENSIONS TO BE ESTABLISHED BY THE CUSTOMER. CONSULT AMP ENGINEERING WHEN PLACING MULTIPLE CONNECTORS ON A PC BOARD.
- 4 PACKAGED IN TAPE ON REELS PER EIA-841.
- 5 1.4±0.05 DIAMETER HOLE WHEN PLACING BY HAND.
- 6 SHORTER SOLDER LANDS MAY BE USED PER EIA 700AAAB, HOWEVER 2.7 LENGTH ASSURES OPTIMUM SOLDER FILLET.
- 7 REFERRED TO AS DIM N IN EIA 700AAAB SPECIFICATION.
- 8 VACUUM COVER NOT SHOWN IN SOME VIEWS FOR CLARITY.
- 9 5.5 MIN DIAMETER TARGET AREA FOR VACUUM PIP-UP.
- 10 CONTACT FINISH: 0.00381 MINIMUM MATTE TIN PER ASTM B 545 ON SOLDER AREA; 0.00127 MINIMUM GOLD PER ASTM B 488 ON MATING AREA BOTH OVER 0.00127 MINIMUM NICKEL PER SAE-AMS-QQ-N-290 ON ENTIRE CONTACT.
- 11 SQUARE AND DIAMOND SHAPED POSTS
- 12 ROUND SHAPED POSTS



STYLE A POSTS



STYLE B POSTS



RECOMMENDED PC BOARD LAYOUT

| POST STYLE | FINISH | DIM D | DIM C | DIM B | DIM A | STACK HEIGHTS  | POS | PART NUMBER |
|------------|--------|-------|-------|-------|-------|----------------|-----|-------------|
| 12         | 9      | 44.4  | 45.9  | 44.58 | 41    | 10, 12, 13, 15 | 84  | 3-5146888-2 |
| 12         | 9      | 34.4  | 35.9  | 34.58 | 31    | 10, 12, 13, 15 | 64  | 3-5146888-1 |
| 12         | 2      | 44.4  | 45.9  | 44.58 | 41    | 10, 12, 13, 15 | 84  | 2-5146888-2 |
| 12         | 2      | 34.4  | 35.9  | 34.58 | 31    | 10, 12, 13, 15 | 64  | 2-5146888-1 |
| 11         | 9      | 44.4  | 45.9  | 44.58 | 41    | 10, 12, 13, 15 | 84  | 1-5146888-2 |
| 11         | 2      | 34.4  | 35.9  | 34.58 | 31    | 10, 12, 13, 15 | 64  | 1-5146888-1 |
| 11         | 9      | 44.4  | 45.9  | 44.58 | 41    | 10, 12, 13, 15 | 84  | 5146888-2   |
| 11         | 2      | 34.4  | 35.9  | 34.58 | 31    | 10, 12, 13, 15 | 64  | 5146888-1   |

THIS DRAWING IS A CONTROLLED DOCUMENT.

AWN: B. CARBO 30SEP04  
 CHK: R. WERTZ 30SEP04  
 APPD: R. WERTZ 30SEP04

TE Connectivity

PRODUCT SPEC: 502-1079  
 APPLICATION SPEC: 114-25045

NAME: PLUG ASSEMBLY, W/VACUUM COVER, 1.0mm FH(IEEE 1386) CONNECTOR

SIZE: 114-25045  
 WEIGHT: -  
 CUSTOMER DRAWING

SCALE: 10:1  
 SHEET: 1 OF 1  
 REV: B2