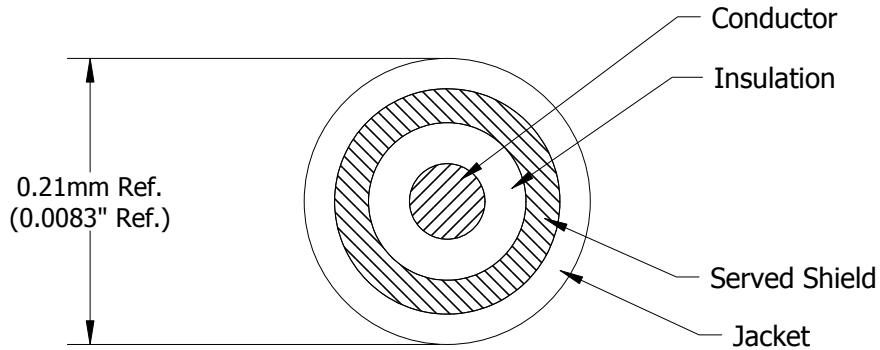


TITLE	PART No.	REV	PAGE
46 AWG Micro Coax	1000650089	A	1 of 1



NOTES

Conductor: 46 AWG, Solid Silver Plated Copper Alloy.

Core: PFA, 0.10mm (0.0038") Diameter, Green.

Served Shield: 48 AWG, Tin Plated Copper Alloy.

Jacket: PFA, 0.025mm (0.001") Wall Thickness.

Color: Black.

This document is the property of TEMP-FLEX. It may not be disclosed, reproduced, or otherwise used without permission.	Rev	DCR	Description	App'd	Date
	A	5012	Preliminary Release.	KP	6/15/16