

N=Number of Poles

Dim A	$N \times 10.0 + 3.5$
Dim B	$(N-1) \times 10.0$

Poles	Tolerance
4p-10p	± 0.40
11p-20p	± 0.60
21p-30p	± 0.80

SIGN	DATE	DESCRIPTION	APPROVER
△	3/30'09	Structure changed	JODY
△	3/30'09	Temperature changed from -40 ~ 105°C to -40 ~ 115°C	JODY
△	11/17'12	Change the screw plating specification	Jacky
△	11/17'12	Change the dimensional tolerance	Jacky

THIS IS CAD DRAWING, DO NOT REVISE MANUALLY!!!

MATERIALS ELECTRICAL
 RATED VOLTAGE & CURRENT: 300 V, 20 A
 WITHSTAND VOLTAGE: AC 2000 V/Min
 INSULATION RESISTANCE: 1000 MΩ OR MORE AT DC 500 V
 OPERATING TEMPERATURE RANG: △ -40 °C ~ +115 °C
 SCREW TORQUE VALUE: 12 Lb-In.
 WIRE RANGE: 22 - 12 AWG
 1) MOLDED PARTS: Thermoplastic , UL 94 V-0 BLACK
 2) TERMINAL: BRASS, 0.8t, Tin PLATED
 △ 3) TERMINAL SCREWS: STEEL, M3.5

APPROVAL:
 Critical dimension: ▽

PART No.:

YK 605 xx 0 x x 00G

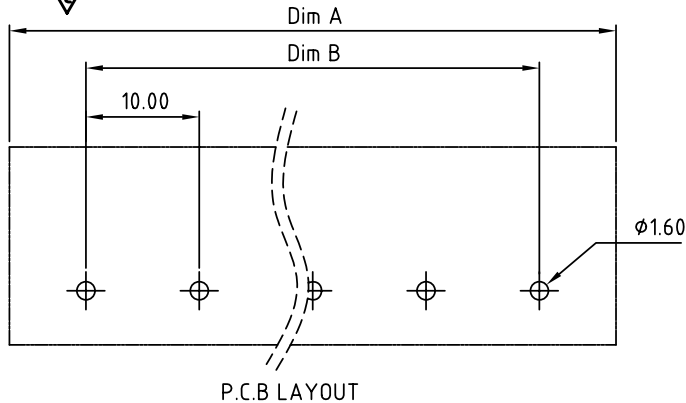
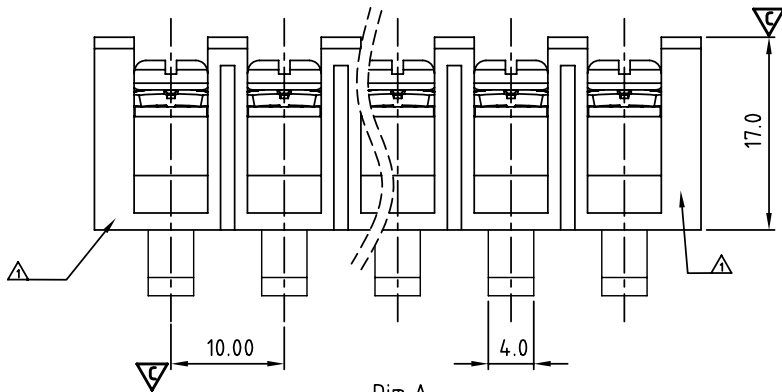
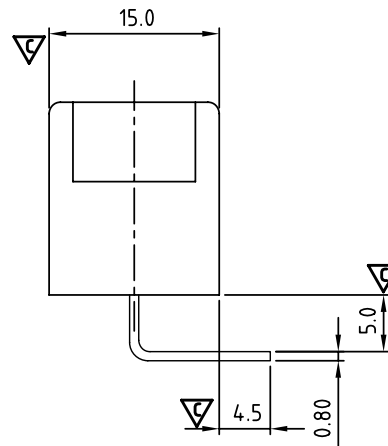
NO. OF POLES
 04: 4 POLES
 05: 5 POLES
 06: 6 POLES
 ⋮
 30: 30 POLES

G:RoHS compliant(lead<4%)
 in copper alloy

MARK
 0: "@ " MAK
 1: "ANY " MAK

TERMINAL & SCREW PLATED

0: TERMINAL & SCREW: G/F
 △ 1: TERMINAL: G/F, SCREW: Zinc
 2: TERMINAL: Sn, SCREW: G/F
 △ 3: TERMINAL: Sn, SCREW: Zinc



ANYTEK				CUSTOMER COPY		
TITLE		YK-605 Without Flange&Without Cover Series (4P-30P)				
PART NO.		YK605xx0xx00G		DWG NO.		8YK0002-605
APPROVED		CHECKED	DESIGNED	DRAWN	CUST NO.	
			Jacky 2012.11.17	Jacky 2012.11.17		
						Tolerance
				UNIT: mm		X. ±0.50
				SCALE: NONE		X.X ±0.30
				SHEET: 01/01		X.XX ±0.10
				REV.: D		X° ±1°