



## 15 Watt Fixed Pin Qualcomm® Quick Charge™ 2.0



### Features

- Limited Power Source (LPS)
- Class B EMI
- Short Circuit Protection
- DOE Level VI, CoC V5 Tier 2

### Applications

- Smartphones
- Tablets
- Personal Communication Devices

### Safety Approvals

- uL/cUL
- CE
- CB

### Mechanical Characteristics

- Length: 45mm (1.77in)
- Width: 45mm (1.77in)
- Height: 27mm (1.06in)
- Weight: 53.5g (1.89oz)

### Output Specifications

Model	Prong Style	Case Color	Output Power	Output Voltage	Max Load	Ripple <sup>(1)</sup> P-P (max.)
PSA15A-308Q-H	US	Black	15W	5V/9V/12V	1.67A@9V 1.25A@12V	180mV
PSA15A-308QW-H	US	White	15W	5V/9V/12V	1.67A@9V 1.25A@12V	180mV
PSA15E-308Q-H	EU	Black	15W	5V/9V/12V	1.67A@9V 1.25A@12V	180mV
PSA15E-308QW-H	EU	White	15W	5V/9V/12V	1.67A@9V 1.25A@12V	180mV
PSA15K-308Q-H	UK	Black	15W	5V/9V/12V	1.67A@9V 1.25A@12V	180mV
PSA15K-308QW-H	UK	White	15W	5V/9V/12V	1.67A@9V 1.25A@12V	180mV

Notes: (1) Measured by using a 12 inch twisted pair terminated with a 10uF & 0.1uF ceramic in parallel. Oscilloscope is set to 20MHz.

Phihong is not responsible for any error, and reserves the right to make changes without notice. Please visit our website at [www.phihong.com](http://www.phihong.com) for the most up-to-date specifications and contact information.

**Input:****AC Input Voltage Rating**

100 to 240V AC

**AC Input Voltage Range**

90 to 264V AC

**AC Input Frequency**

47 to 63Hz

**Input Current**

0.4A(RMS) Max.

**Leakage Current**

20uA Max.

**Inrush Current**

60A Max. @25°C (Cold start)

**Input Power Saving**

&lt;75mW @115VAC/230VAC

**Output:****Efficiency**

US DOE Level VI

CoC V5 Tier 2

**Environmental:****Temperature**

Operation -5°C to +45°C

Non-operation -40°C to +85°C

Humidity 90% RH max

**Emissions**

Complies with FCC Class B

Complies with EN55032 Class B

**Immunity**

EN61000-4-2

EN61000-4-5

**Hold-up Time**

&gt;10mS at max load, 115Vac/60Hz

**Output Current Protection**

Output current shall not exceed 2A

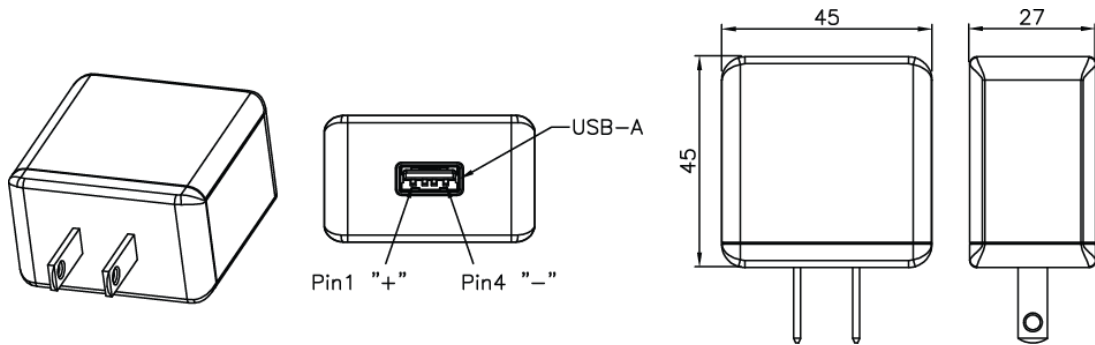
**Short-Circuit Protection**

Output can be shorted permanently without damage

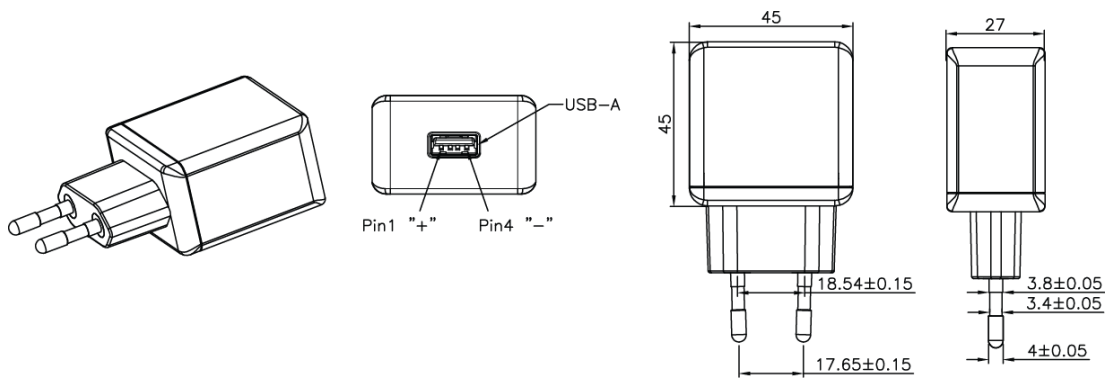
**Dielectric Withstand (Hi-pot) Test**Primary to Secondary: 3000V AC for 1 min.,  
10mA**DC Output Connector**

USB-A

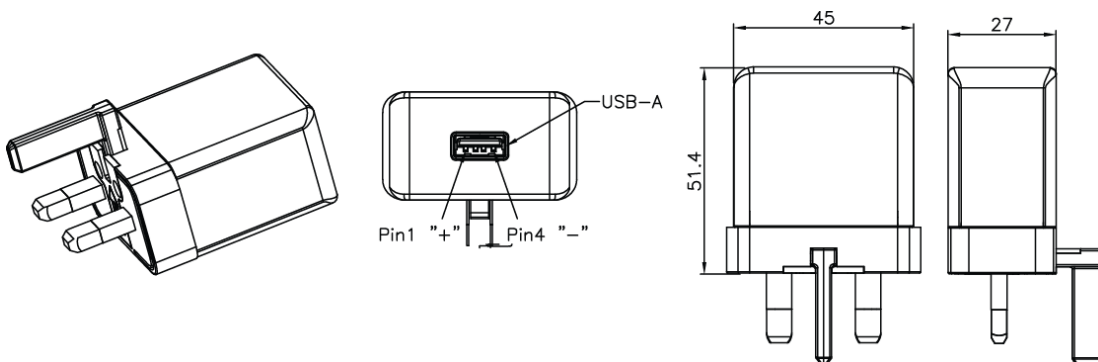
**PSA15A-308Q-H Dimension Diagram Unit: mm**



**PSA15E-308Q-H Dimension Diagram Unit: mm**



**PSA15K-308Q-H Dimension Diagram Unit: mm**



**Supplier's Declaration of Conformity  
47 CFR § 2.1077 Compliance Information**

**Models: PSA15A-308Q-H and PSA15A-308QW-H**

Phihong USA Corporation  
47800 Fremont Boulevard  
Fremont, CA 94538  
Telephone: (510) 445-0100  
[www.phihong.com](http://www.phihong.com)

NOTE: This model has /The models in this product series have been tested and found to comply with the limits for a Class B digital device, pursuant to part 15 of the FCC Rules. These limits are designed to provide reasonable protection against harmful interference in a residential installation. This equipment generates, uses and can radiate radio frequency energy and, if not installed and used in accordance with the instructions, may cause harmful interference to radio communications. However, there is no guarantee that interference will not occur in a particular installation. If this equipment does cause harmful interference to radio or television reception, which can be determined by turning the equipment off and on, the user is encouraged to try to correct the interference by one or more of the following measures:

- Reorient or relocate the receiving antenna.
- Increase the separation between the equipment and receiver.
- Connect the equipment into an outlet on a circuit different from that to which the receiver is connected.
- Consult the dealer or an experienced radio/TV technician for help.

Changes or modifications to equipment not expressly approved by PHIHONG could void the user's authority to operate the equipment.