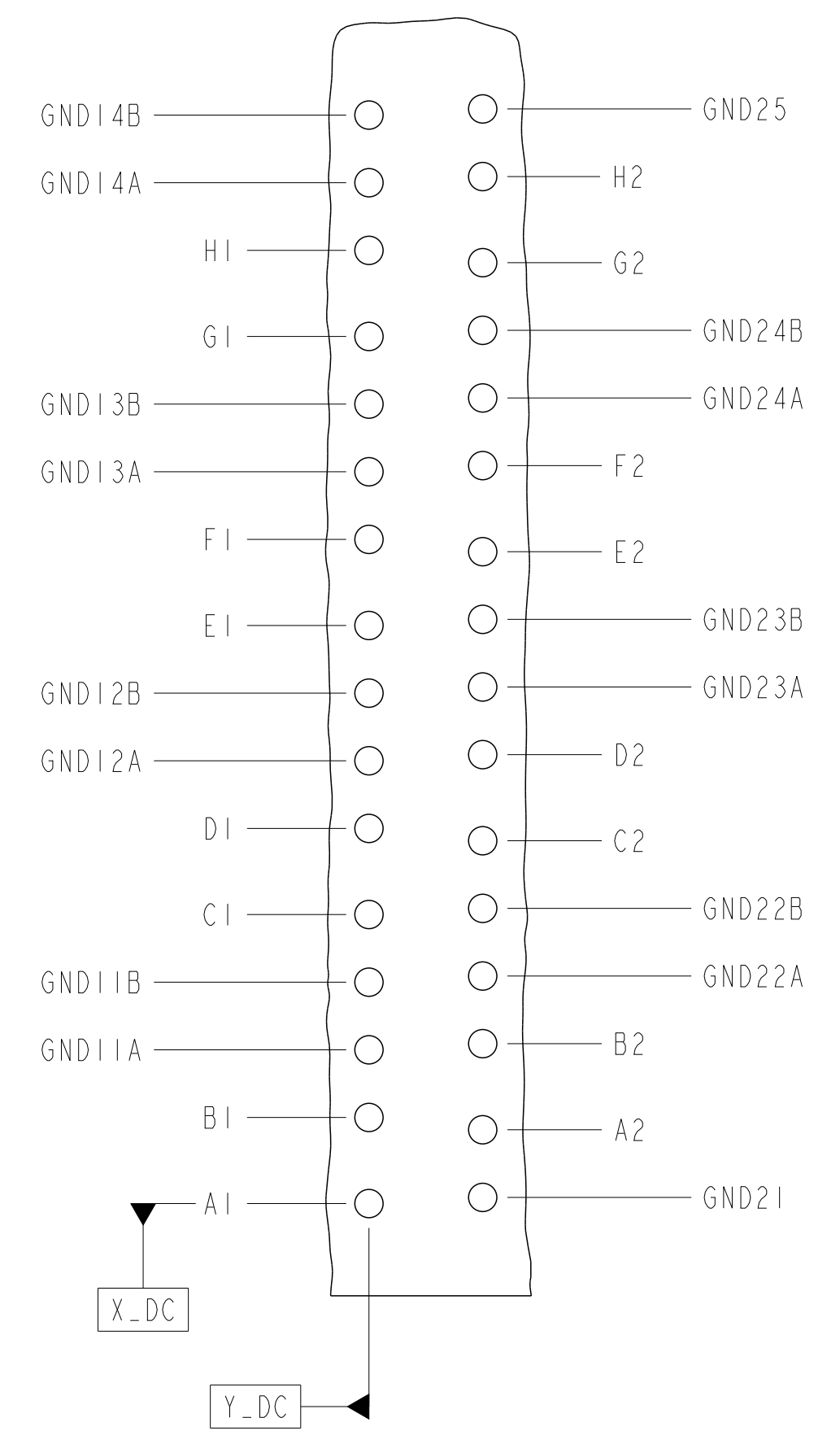
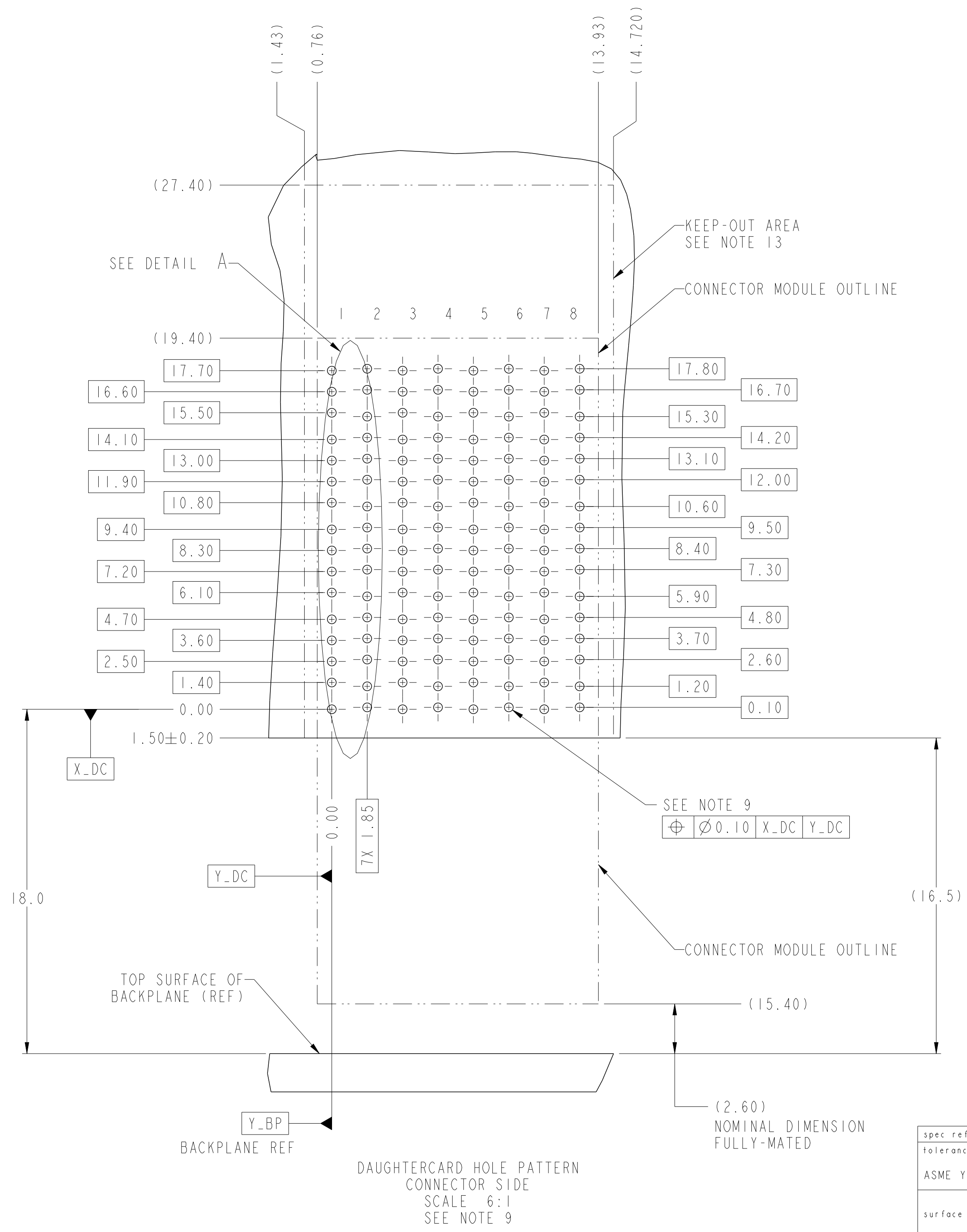


spec ref	SEE NOTES	dr	Jim Swain	2010/01/22	projection	mm	size	A2	scale	3:1											
tolerance std	TOLERANCES UNLESS OTHERWISE SPECIFIED	eng	Matthew Cheong	2012/04/30		mm	ecn no	ELX-S-011499-1	rel rev	CF											
ASME Y14.5		chr	-	appr							Chen-Hong Tan	2012/04/30	product family	XCede	rel rev	CF					
surface	<table border="1"> <tr> <td>linear</td> <td>0.X</td> <td>±</td> </tr> <tr> <td></td> <td>0.XX</td> <td>±</td> </tr> <tr> <td></td> <td>0.XXX</td> <td>±</td> </tr> <tr> <td>angular</td> <td>0°</td> <td>±</td> </tr> </table>	linear	0.X	±		0.XX	±		0.XXX	±	angular	0°	±			title	RECEPT MODULE, RIGHT ANGLE 8 COLUMN, 4 PAIR	dwg no	10091812	rev	B
linear	0.X	±																			
	0.XX	±																			
	0.XXX	±																			
angular	0°	±																			
ASME Y14.5		www.fci.com		cat. no.	SEE P/N TABLES	Product - Customer Drw	sheet 1 of 6														

Copyright FCI.



DETAIL A
SCALE 10:1
HIGH-SPEED DIFFERENTIAL PINOUT
SEE NOTE 9

DAUGHTERCARD HOLE PATTERN
CONNECTOR SIDE
SCALE 6:1
SEE NOTE 9

spec ref	SEE NOTES	dr	Jim Swain	2010/01/22	projection	mm	size	A2	scale	3:1													
tolerance std	TOLERANCES UNLESS OTHERWISE SPECIFIED	eng	Matthew Cheong	2012/04/30		mm	ecn no	ELX-S-011499-1	rel rev	Released													
ASME Y14.5		chr	-	2012/04/30							product family	XCode											
surface	<table border="1"> <tr> <td>linear</td> <td>0.X</td> <td>±-</td> </tr> <tr> <td></td> <td>0.XX</td> <td>±-</td> </tr> <tr> <td></td> <td>0.XXX</td> <td>±-</td> </tr> <tr> <td>angular</td> <td>0°</td> <td>±°</td> </tr> </table>	linear	0.X	±-		0.XX	±-		0.XXX	±-	angular	0°	±°	appr	Chen-Hong Tan	2012/04/30	FCI	title	RECEPT MODULE, RIGHT ANGLE 8 COLUMN, 4 PAIR	dwg no	10091812	rev	B
linear	0.X	±-																					
	0.XX	±-																					
	0.XXX	±-																					
angular	0°	±°																					
ASME Y14.5		www.fci.com	cat. no.	SEE P/N TABLES	Product - Customer Drw	sheet 2 of 6																	

	1	2	3	4	5	6	7	8
	ASSEMBLY PART NUMBER	LEAD-FREE	MODULE DESCRIPTION AND USAGE NOTES	VERSION	IMPEDANCE	COMPLIANT TAIL STYLE AND PCB DRILL DIAMETER	DIM "K" (TAIL LENGTH)	REMARKS
A	10091812-101	NO	SEE NOTES 6 & 14	HSD	100Ω	STANDARD 0.57 (.0225")	2.0	TELCORDIA CO
	10091812-101LF	YES						
	10091812-111	NO	SEE NOTES 6 & 15					
	10091812-111LF	YES						
	10091812-501	NO	SEE NOTES 6 & 14					
	10091812-501LF	YES						
B	10091812-511	NO	SEE NOTES 6 & 15	HSD	100Ω	MICRO 0.45 (.0177")	1.3	TELCORDIA UE
	10091812-511LF	YES						
	10091812-102	NO	SEE NOTES 6 & 14					
	10091812-102LF	YES						
	10091812-112	NO	SEE NOTES 6 & 15					
	10091812-112LF	YES						
C	10091812-502	NO	SEE NOTES 6 & 14	HSD	100Ω	MICRO 0.45 (.0177")	1.3	TELCORDIA UE
	10091812-502LF	YES						
	10091812-512	NO	SEE NOTES 6 & 15					
	10091812-512LF	YES						
	10091812-103	NO	SEE NOTES 6 & 14					
	10091812-103LF	YES						
D	10091812-113	NO	SEE NOTES 6 & 15	LC	100Ω	STANDARD 0.57 (.0225")	2.0	TELCORDIA CO
	10091812-113LF	YES						
	10091812-503	NO	SEE NOTES 6 & 14					
	10091812-503LF	YES						
	10091812-513	NO	SEE NOTES 6 & 15					
	10091812-513LF	YES						
E	10091812-104	NO	SEE NOTES 6 & 14	LC	100Ω	MICRO 0.45 (.0177")	1.3	TELCORDIA CO
	10091812-104LF	YES						
	10091812-114	NO	SEE NOTES 6 & 15					
	10091812-114LF	YES						
	10091812-504	NO	SEE NOTES 6 & 14					
	10091812-504LF	YES						
F	10091812-514	NO	SEE NOTES 6 & 15	LC	100Ω	MICRO 0.45 (.0177")	1.3	TELCORDIA UE
	10091812-514LF	YES						



Copyright FCI.

spec ref	SEE NOTES	dr	Jim Swain	2010/01/22	projection	mm	size	A2	scale	2:1											
tolerance std	TOLERANCES UNLESS OTHERWISE SPECIFIED	eng	Matthew Cheong	2012/04/30		mm	ecn no	ELX-S-011499-1	rel rev	Released											
ASME Y14.5		chr	-	2012/04/30							product family	XCede									
surface	<table border="1"> <tr> <td>linear</td> <td>0.X</td> <td>±-</td> </tr> <tr> <td></td> <td>0.XX</td> <td>±-</td> </tr> <tr> <td></td> <td>0.XXX</td> <td>±-</td> </tr> <tr> <td>angular</td> <td>0°</td> <td>±°</td> </tr> </table>	linear	0.X	±-		0.XX	±-		0.XXX	±-	angular	0°	±°	appr	Chen-Hong Tan	2012/04/30	product family	XCede	rel rev	CF	Released
linear	0.X	±-																			
	0.XX	±-																			
	0.XXX	±-																			
angular	0°	±°																			
ASME Y14.5		www.fci.com	cat. no.	SEE PART NUMBER TABLE	Product - Customer Drw	sheet 3 of 6	title	RECEPT MODULE, RIGHT ANGLE 8 COLUMN, 4 PAIR	dwg no	10091812											
										rev	B										

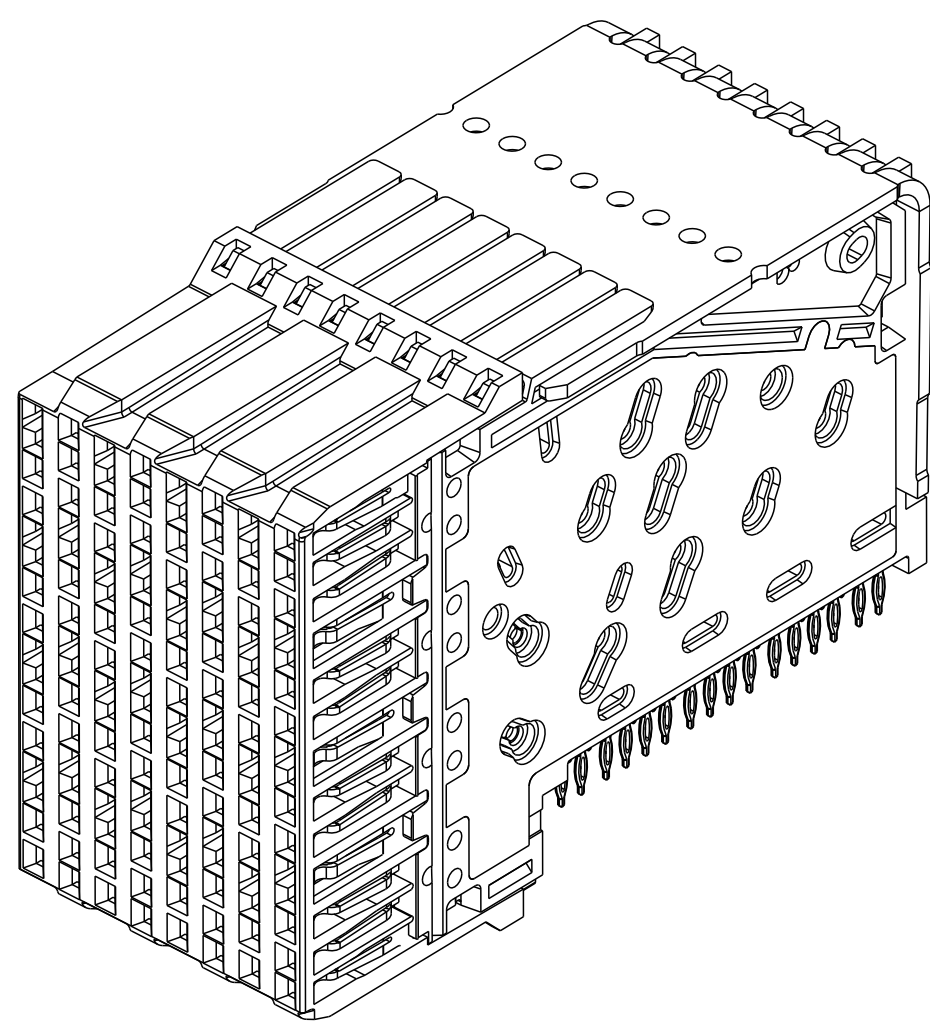
1		2		3		4		5		6		7		8											
A	ASSEMBLY PART NUMBER	LEAD-FREE	MODULE DESCRIPTION AND USAGE NOTES	VERSION	IMPEDANCE	COMPLIANT TAIL STYLE AND PCB DRILL DIAMETER	DIM "K" (TAIL LENGTH)	REMARKS		PCB REQUIREMENTS															
	ATTRIBUTE		STANDARD TAIL		MICRO TAIL																				
A	10091812-105	NO	SEE NOTES 6 & 14	HSD	85Ω	STANDARD 0.57 (.0225")	2.0	TELCORDIA CO		DRILL	∅0.57 (.0225")	∅0.45 (.0177")													
	10091812-105LF	YES								PTH	∅0.46±0.05	∅0.36±0.05													
10091812-115	NO	SEE NOTES 6 & 15	TELCORDIA UE					PAD SEE NOTE 8	∅0.88	∅0.75															
10091812-115LF	YES							MIN PCB THICKNESS	1.60	1.10															
10091812-505	NO	SEE NOTES 6 & 14	HSD					85Ω	MICRO 0.45 (.0177")	1.3	TELCORDIA CO														
10091812-505LF	YES																		TELCORDIA UE						
10091812-515	NO	SEE NOTES 6 & 15									TELCORDIA UE														
10091812-515LF	YES																								
10091812-106	NO	SEE NOTES 6 & 14									LC		85Ω	STANDARD 0.57 (.0225")	2.0				TELCORDIA CO						
10091812-106LF	YES																							TELCORDIA UE	
10091812-116	NO	SEE NOTES 6 & 15			TELCORDIA UE																				
10091812-116LF	YES																								
10091812-506	NO	SEE NOTES 6 & 14			LC		85Ω									MICRO 0.45 (.0177")	1.3	TELCORDIA CO							
10091812-506LF	YES																							TELCORDIA UE	
10091812-516	NO	SEE NOTES 6 & 15	TELCORDIA UE																						
10091812-516LF	YES																								
10091812-107	NO	SEE NOTES 6 & 14	LC					85Ω	STANDARD 0.57 (.0225")	2.0								TELCORDIA CO							
10091812-107LF	YES																								
10091812-117	NO	SEE NOTES 6 & 15									TELCORDIA UE														
10091812-117LF	YES																								
10091812-507	NO	SEE NOTES 6 & 14									LC		85Ω	MICRO 0.45 (.0177")	1.3			TELCORDIA CO							
10091812-507LF	YES																								
10091812-517	NO	SEE NOTES 6 & 15			TELCORDIA UE																				
10091812-517LF	YES																								
10091812-108	NO	SEE NOTES 6 & 14			LC		85Ω									MICRO 0.45 (.0177")	1.3	TELCORDIA CO							
10091812-108LF	YES																								
10091812-118	NO	SEE NOTES 6 & 15	TELCORDIA UE																						
10091812-118LF	YES																								
10091812-508	NO	SEE NOTES 6 & 14	LC					85Ω	MICRO 0.45 (.0177")	1.3								TELCORDIA CO							
10091812-508LF	YES																								
10091812-518	NO	SEE NOTES 6 & 15									TELCORDIA UE														
10091812-518LF	YES																								

PCB REQUIREMENTS		
ATTRIBUTE	STANDARD TAIL	MICRO TAIL
DRILL	∅0.57 (.0225")	∅0.45 (.0177")
PTH	∅0.46±0.05	∅0.36±0.05
PAD SEE NOTE 8	∅0.88	∅0.75
MIN PCB THICKNESS	1.60	1.10

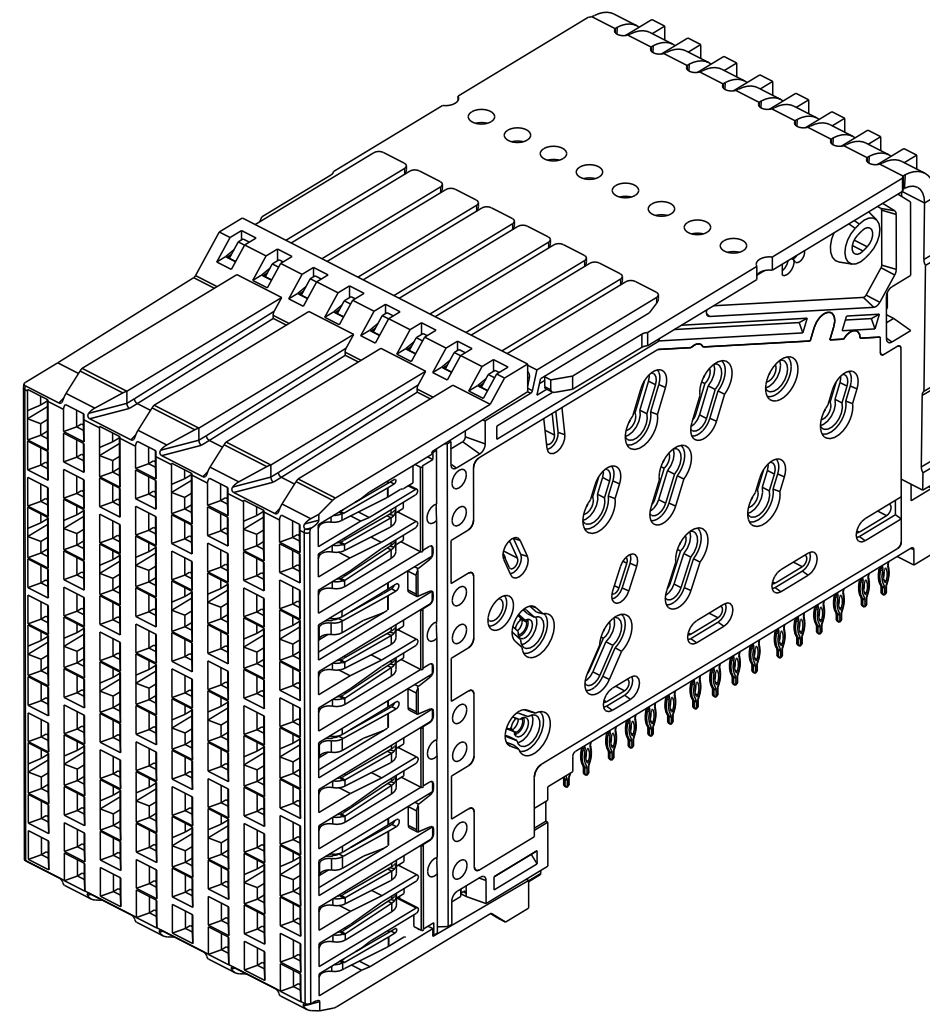


Copyright FCI.

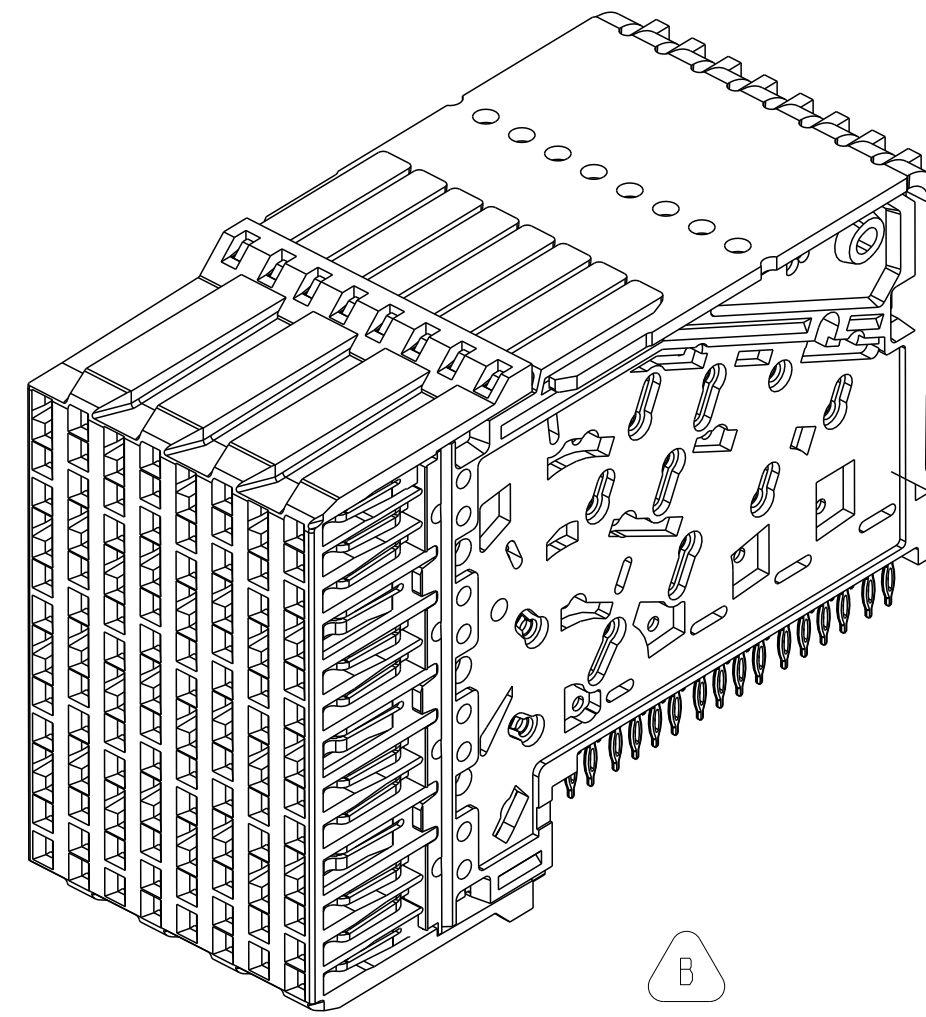
spec ref	SEE NOTES	dr	Jim Swain	2010/01/22	projection	mm	size	A2	scale	2:1												
tolerance std	ASME Y14.5	eng	Matthew Cheong	2012/04/30		mm	ecn no	ELX-S-011499-1	rel rev	CF												
TOLERANCES UNLESS OTHERWISE SPECIFIED		chr	-	apppr							Chen-Hong Tan	2012/04/30	product family	XCede	rel rev	CF						
surface	<table border="1"> <tr><td>linear</td><td>0.X</td><td>±-</td></tr> <tr><td></td><td>0.XX</td><td>±-</td></tr> <tr><td></td><td>0.XXX</td><td>±-</td></tr> <tr><td>angular</td><td>0°</td><td>±°</td></tr> </table>	linear	0.X	±-		0.XX	±-		0.XXX	±-	angular	0°	±°			RECEIPT MODULE, RIGHT ANGLE 8 COLUMN, 4 PAIR		title 10091812	rev B	Product - Customer Drw		
linear	0.X	±-																				
	0.XX	±-																				
	0.XXX	±-																				
angular	0°	±°																				
ASME Y14.5	www.fci.com	cat. no.	SEE PART NUMBER TABLE	Product - Customer Drw		sheet 4 of 6																



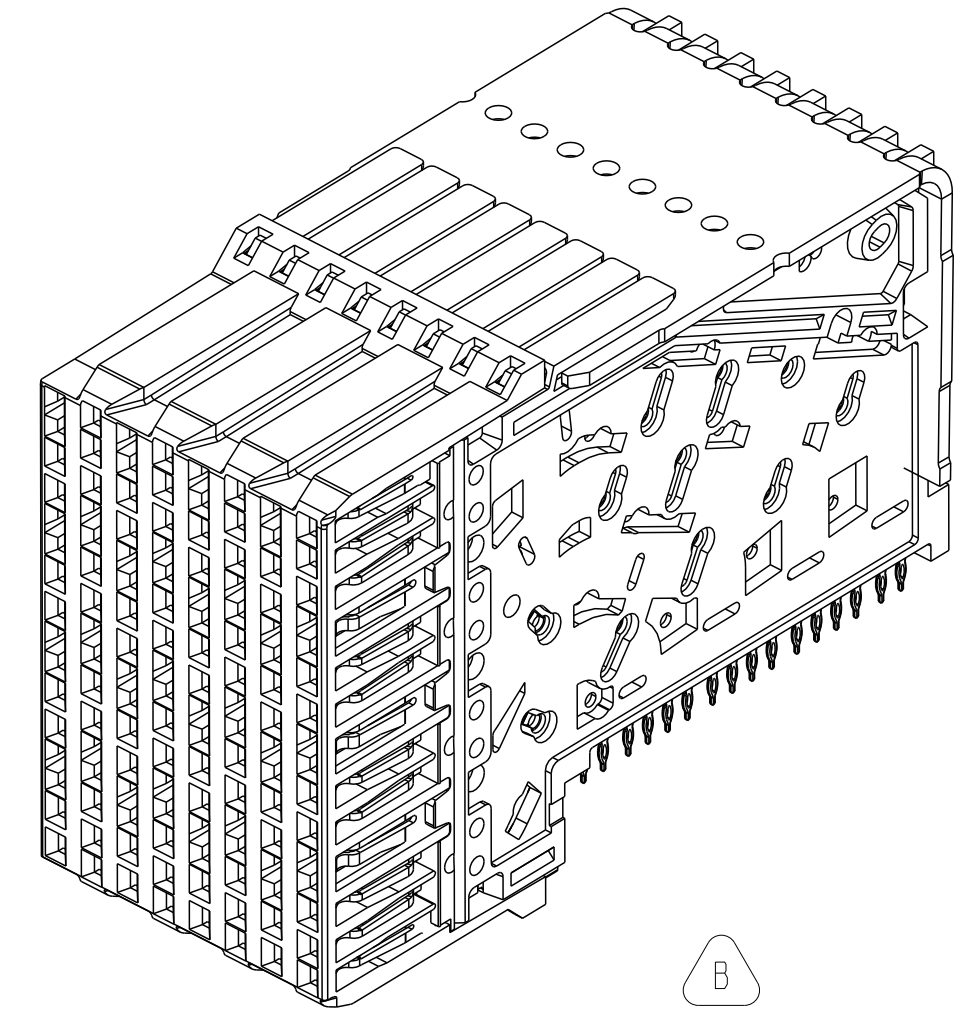
10091812-X01 & -X05
HSD / 100Ω & 85Ω / STD EON
SEE NOTE 14



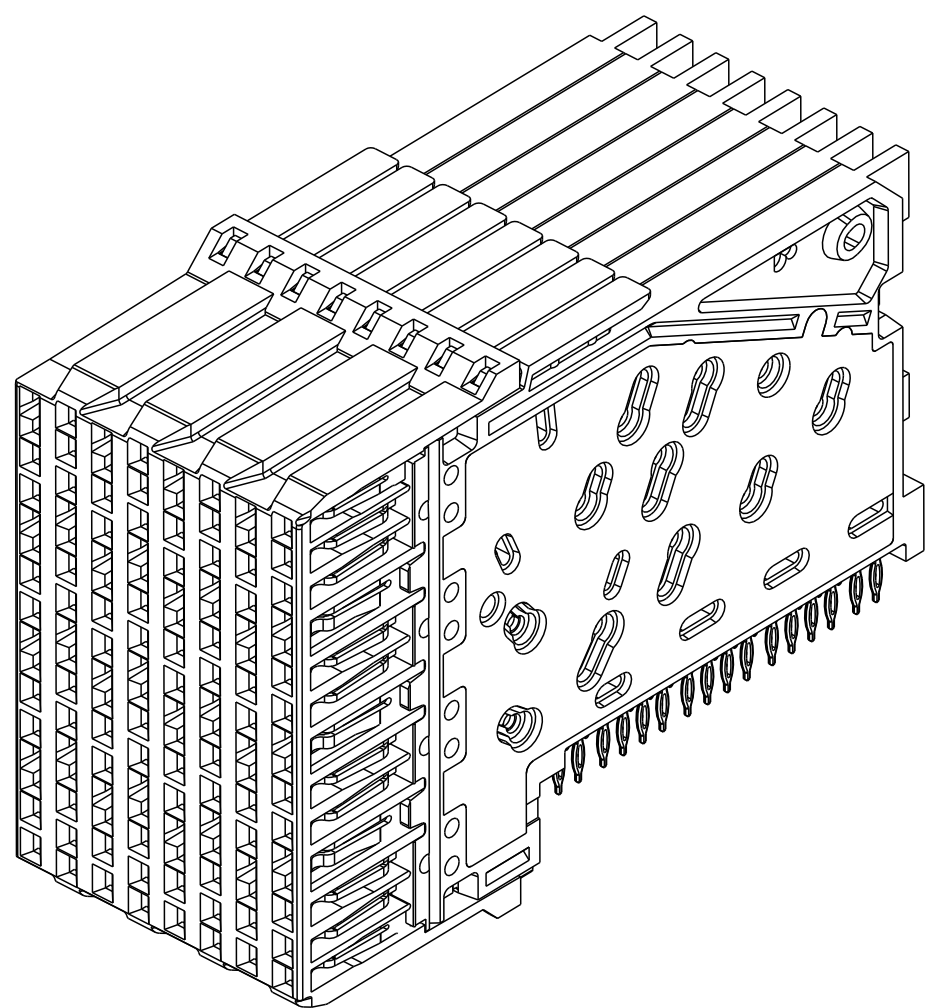
10091812-X02 & X06
HSD / 100Ω & 85Ω / MICRO EON
SEE NOTE 14



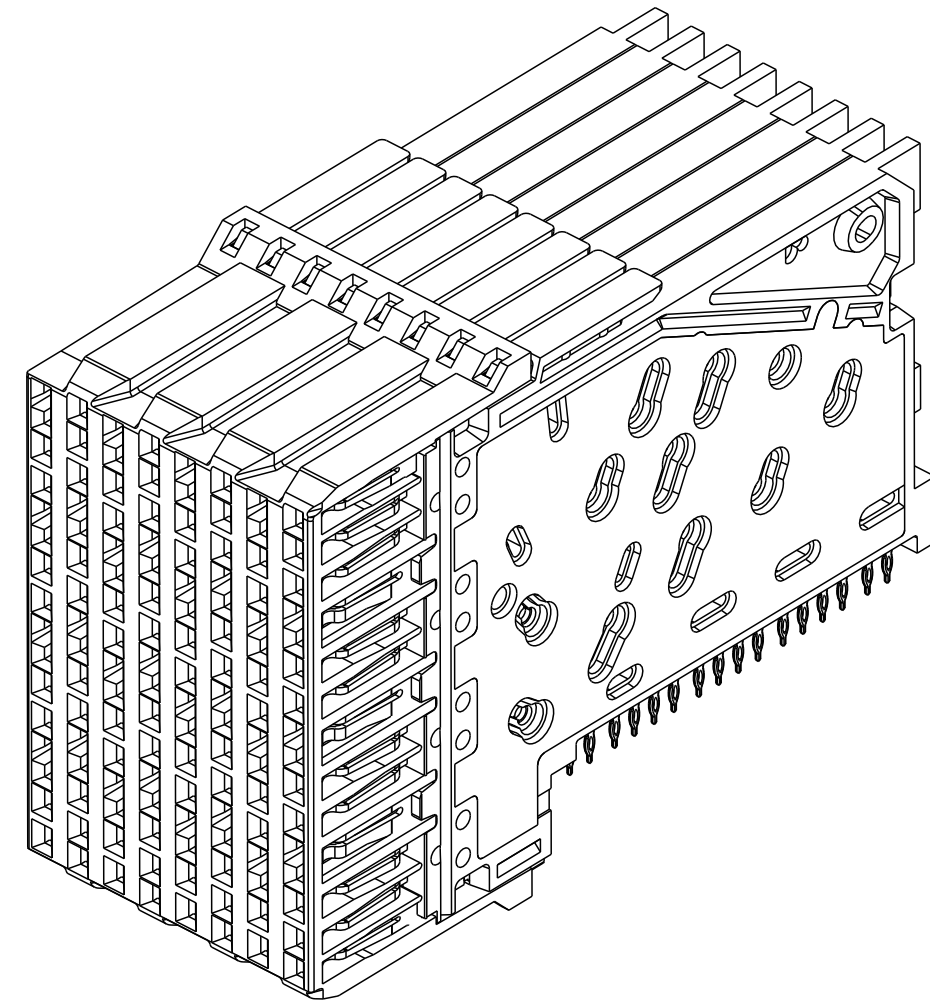
10091812-X03 & X07
LC / 100Ω & 85Ω / STD EON
SEE NOTE 14



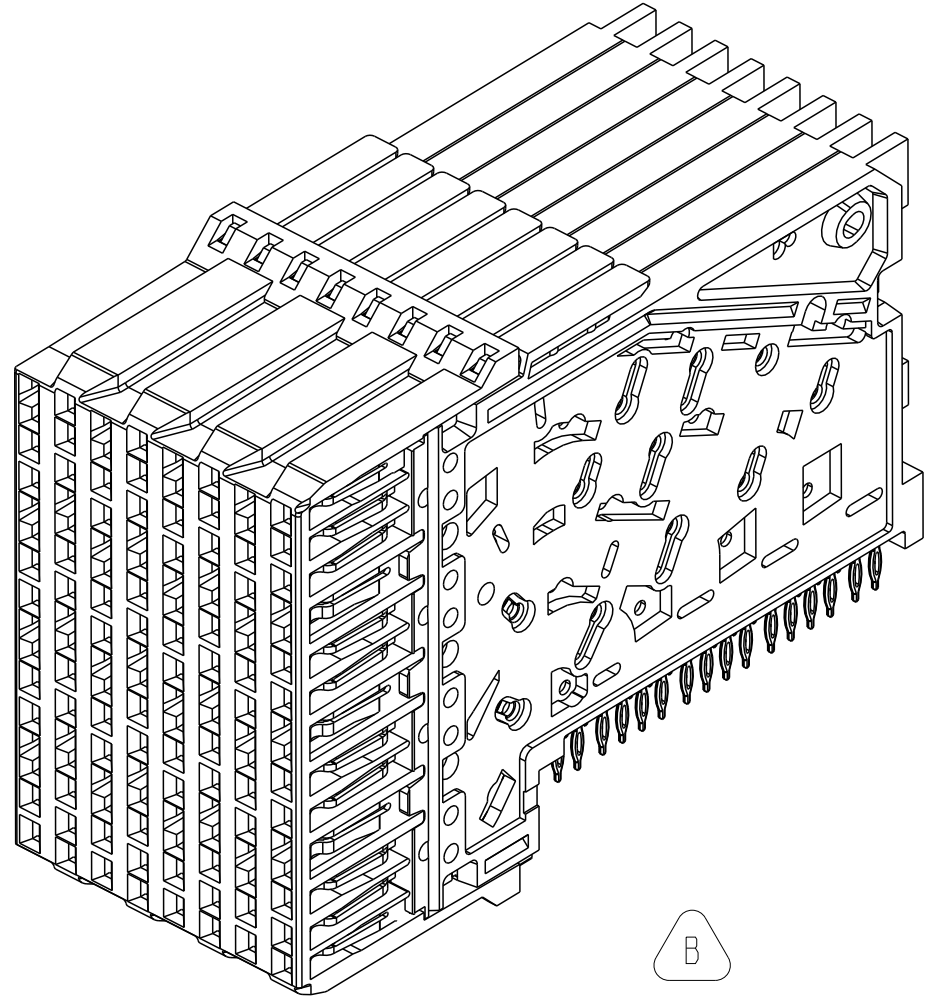
10091812-X04 & X08
LC / 100Ω & 85Ω / MICRO EON
SEE NOTE 14



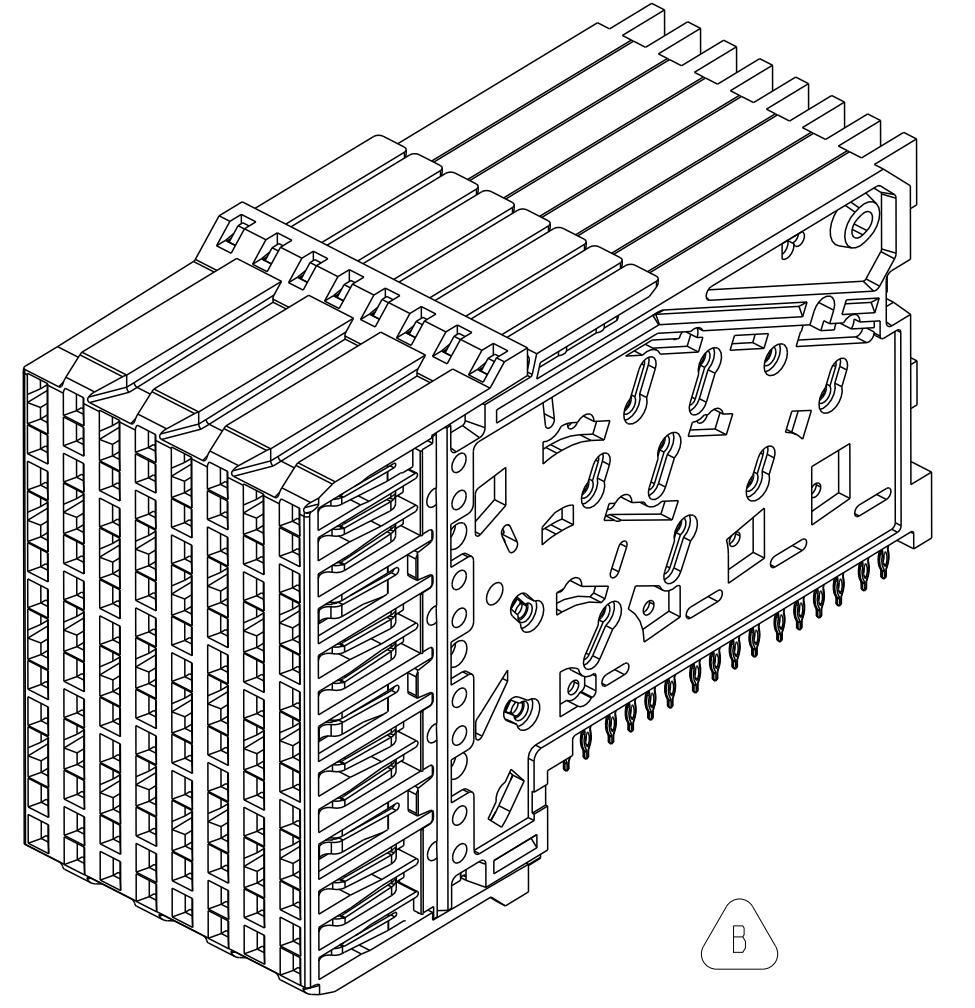
10091812-X11 & -X15
HSD / 100Ω & 85Ω / STD EON
SEE NOTE 15



10091812-X12 & X16
HSD / 100Ω & 85Ω / MICRO EON
SEE NOTE 15



10091812-X13 & X17
LC / 100Ω & 85Ω / STD EON
SEE NOTE 15



10091812-X14 & X18
LC / 100Ω & 85Ω / MICRO EON
SEE NOTE 15



Copyright FCI.

spec ref	SEE NOTES	dr	Jim Swain	2010/01/22	projection	mm	size	A2	scale	3:1																						
tolerance std	TOLERANCES UNLESS OTHERWISE SPECIFIED	eng	Matthew Cheong	2012/04/30		mm	A2	3:1	ecn no	ELX-S-011499-1																						
ASME Y14.5		chr	-	appr					Chen-Hong Tan	2012/04/30	product family	XCede	rel lev	CF	Released																	
surface	<table border="1"> <tr> <td>linear</td> <td>0.X</td> <td>±</td> </tr> <tr> <td></td> <td>0.XX</td> <td>±</td> </tr> <tr> <td></td> <td>0.XXX</td> <td>±</td> </tr> <tr> <td>ASME Y14.5</td> <td>angular</td> <td>0°</td> <td>±</td> </tr> </table>	linear	0.X	±		0.XX	±		0.XXX	±	ASME Y14.5	angular	0°	±		<table border="1"> <tr> <td>title</td> <td>RECEPT MODULE, RIGHT ANGLE</td> <td>dwg no</td> <td>10091812</td> <td>rev</td> <td>B</td> </tr> <tr> <td></td> <td>8 COLUMN, 4 PAIR</td> <td></td> <td></td> <td></td> <td></td> </tr> </table>	title	RECEPT MODULE, RIGHT ANGLE	dwg no	10091812	rev	B		8 COLUMN, 4 PAIR					cat. no.	SEE P/N TABLES	Product - Customer Drw	sheet 5 of 6
linear	0.X	±																														
	0.XX	±																														
	0.XXX	±																														
ASME Y14.5	angular	0°	±																													
title	RECEPT MODULE, RIGHT ANGLE	dwg no	10091812	rev	B																											
	8 COLUMN, 4 PAIR																															

NOTES:

1. CONNECTOR MATERIALS:

HOUSING: HIGH-TEMPERATURE THERMOPLASTIC, GRAY, UL 94V-0
 WAFERS: HIGH-TEMPERATURE THERMOPLASTIC, GRAY, UL 94V-0
 CONTACTS: HIGH-PERFORMANCE COPPER ALLOY
 ORGANIZER: STAINLESS STEEL

2. CONTACT PLATING:

SEPARABLE INTERFACE: PERFORMANCE-BASED PLATING, QUALIFIED TO MEET THE REQUIREMENTS OF FCI PRODUCT SPECIFICATION GS-12-588, INCLUDING THE TELCORDIA GR-1217-CORE (NOVEMBER 1995) CENTRAL OFFICE TEST SEQUENCE.

PRESS-FIT TAILS: TIN-LEAD ALLOY OVER NICKEL OR TIN OVER NICKEL (LEAD FREE) AS NOTED. SEE "LEAD-FREE" COLUMN IN P/N TABLE.

3. PRODUCT SPECIFICATION: GS-12-588

4. APPLICATION SPECIFICATION: GS-20-121

5. PRODUCT MARKING: APPLIED TO CUSTOM MONOBLOCK ASSEMBLY

6. XCede® MODULES ARE DESIGNED TO BE STACKED INTO A MONOBLOCK ASSEMBLY, JOINED TOGETHER BY A COMMON STAMPED METAL ORGANIZER. INDIVIDUALLY ASSEMBLED MODULES ARE OFFERED FOR PURPOSES OF SAMPLING AND INITIAL DESIGN-IN EVALUATION AS IDENTIFIED IN THE PART NUMBER TABLE.

7. DRAWING IS INTENDED FOR LAYOUT PURPOSES ONLY.

8. STATED PAD SIZE MAY REQUIRE FILLETING. REFER TO FCI APPLICATION SPECIFICATION FOR ROUTING GUIDELINES.

9. SEE PCB REQUIREMENTS TABLE AND FCI APPLICATION SPECIFICATION GS-20-121 FOR PCB HOLE SPECIFICATIONS AND ROUTING GUIDELINES.

10. LEAD-FREE PRODUCT MEETS THE EUROPEAN UNION DIRECTIVES AND OTHER COUNTRY REGULATIONS AS DESCRIBED IN FCI SPECIFICATION GS-22-008.

11. THE PLASTIC MATERIALS IN THIS PRODUCT WILL WITHSTAND EXPOSURE TO 260° PEAK TEMP FOR 40 SECONDS IN A CONVECTION, INFRA-RED, OR VAPOR PHASE REFLOW OVEN.

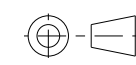

12. PACKAGING MEETS FCI SPECIFICATION GS-14-920 FOR LEAD-FREE LABELING.

13. THE SPECIFIED KEEP-OUT AREA IS REQUIRED FOR CONNECTOR REPAIRABILITY.

14. INDIVIDUAL MODULE ASSEMBLIES INCLUDING ASSEMBLED METAL ORGANIZER. THESE MODULES ARE TO BE USED FOR SAMPLING AND INITIAL EVALUATION ONLY. REF NOTE 6.

15. INDIVIDUAL MODULES TO BE SPECIFIED AND USED IN CUSTOM MONOBLOCK CONFIGURATIONS. REFERENCE NOTE 6 AND FCI APPLICATION SPECIFICATION FOR ADDITIONAL CONFIGURATION GUIDELINES AND INFORMATION.

16. A  SYMBOL WILL BE NEXT TO ANY DIMENSION, VIEW OR NOTES WHICH HAS BEEN MODIFIED WITH THE CURRENT DRAWING REVISION.

spec ref	SEE NOTES	dr	Jim Swain	2010/01/22	projection	mm	size	A2	scale	3:1
tolerance std	TOLERANCES UNLESS OTHERWISE SPECIFIED	eng	Matthew Cheong	2012/04/30		mm	ecn no	ELX-S-011499-1	rel rev	Released
ASME Y14.5		chr	-	2012/04/30						
surface		appr	Chen-Hong Tan	2012/04/30						
ASME Y14.5	linear	0.X	±-		title	RECEPT MODULE, RIGHT ANGLE 8 COLUMN, 4 PAIR	dwg no	10091812	rev	B
	0.XX	±-								
	0.XXX	±-								
	angular	0°	±°	www.fci.com	cat. no.	SEE P/N TABLES	Product - Customer Drw	sheet 6 of 6		