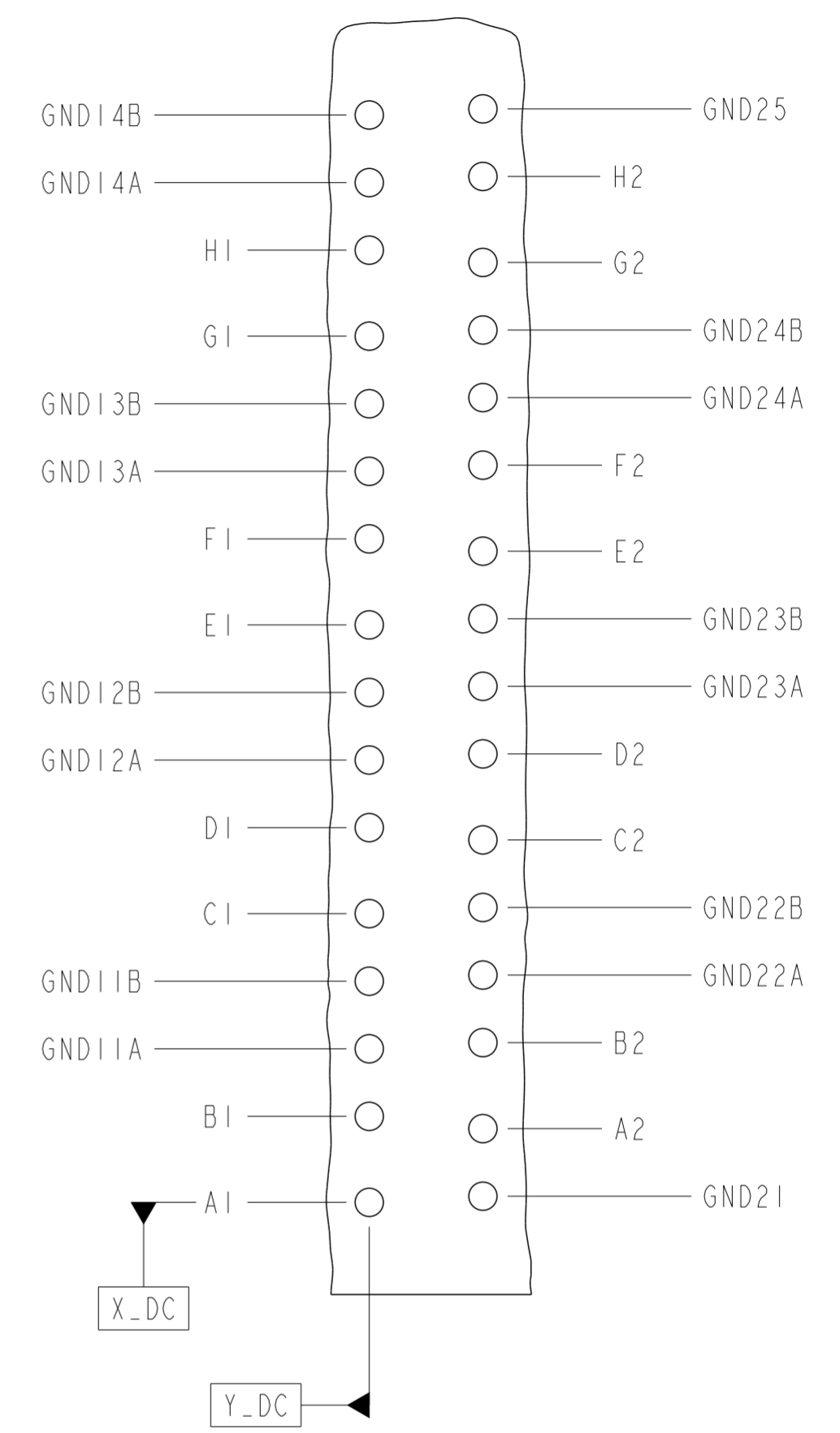
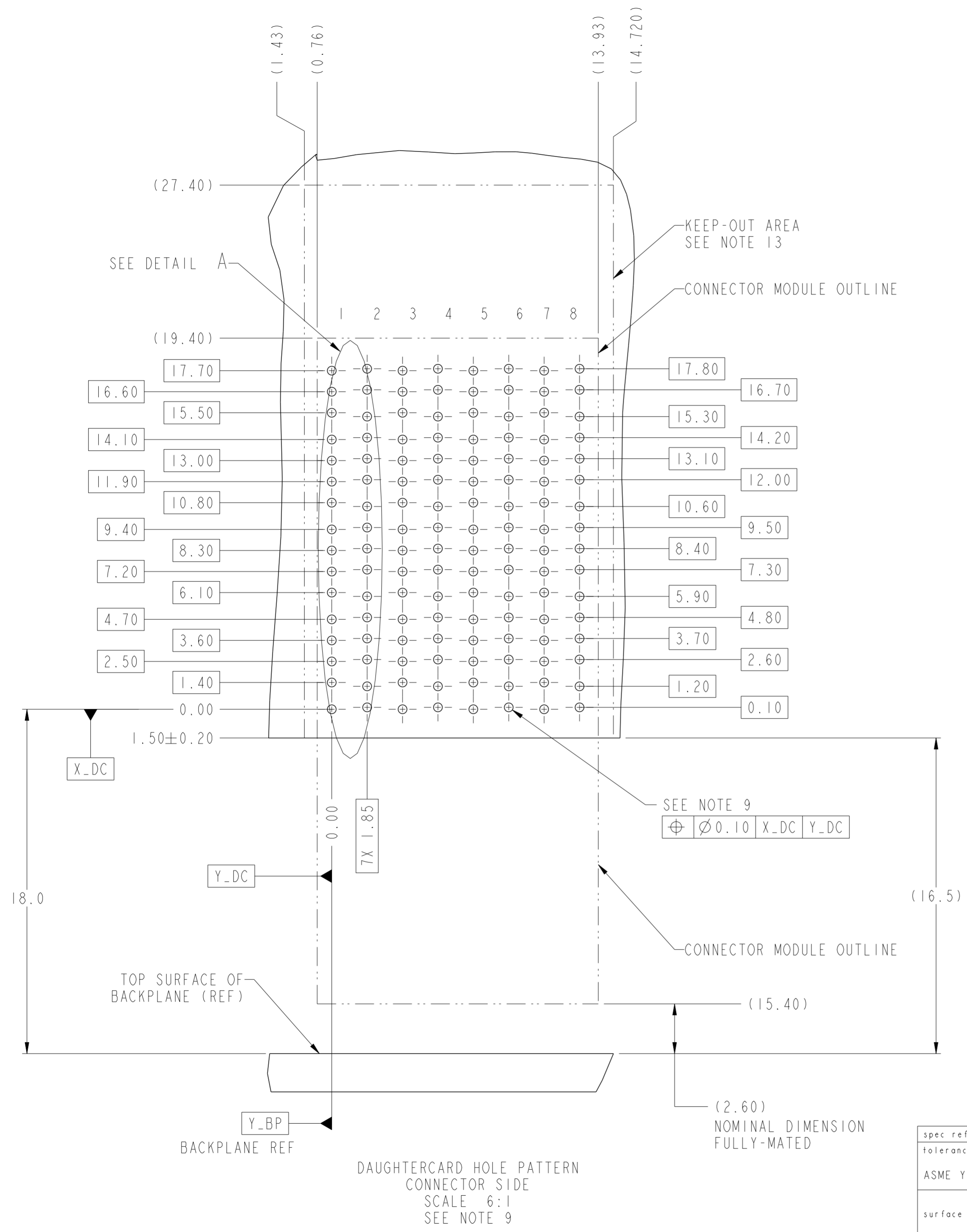


spec ref	SEE NOTES	dr	Jim Swain	2010/01/22	projection	mm	size	A2	scale	3:1											
tolerance std	TOLERANCES UNLESS OTHERWISE SPECIFIED	eng	Matthew Cheong	2012/04/30			ecn no	ELX-S-011499-1													
ASME Y14.5		chr	-	appr			Chen-Hong Tan	2012/04/30	product family	XCode	rel rev	CF	Released								
surface	<table border="1"> <tr> <td>linear</td> <td>0.X</td> <td>±</td> <td>-</td> </tr> <tr> <td></td> <td>0.XX</td> <td>±</td> <td>-</td> </tr> <tr> <td></td> <td>0.XXX</td> <td>±</td> <td>-</td> </tr> <tr> <td>ASME Y14.5</td> <td>angular</td> <td>0°</td> <td>±</td> </tr> </table>	linear	0.X	±	-		0.XX	±	-		0.XXX	±	-	ASME Y14.5	angular	0°	±		title RECEPT MODULE, RIGHT ANGLE 8 COLUMN, 4 PAIR	dwg no 10091812	rev B
linear	0.X	±	-																		
	0.XX	±	-																		
	0.XXX	±	-																		
ASME Y14.5	angular	0°	±																		
		www.fci.com	cat. no.	SEE P/N TABLES	Product - Customer Drw	sheet 1 of 6															

Copyright FCI.



DETAIL A  
SCALE 10:1  
HIGH-SPEED DIFFERENTIAL PINOUT  
SEE NOTE 9

spec ref	SEE NOTES	dr	Jim Swain	2010/01/22	projection	mm	size	A2	scale	3:1															
tolerance std	TOLERANCES UNLESS OTHERWISE SPECIFIED	eng	Matthew Cheong	2012/04/30		mm	ecn no	ELX-S-011499-1	rel rev	Released															
ASME Y14.5		chr	-	app							Chen-Hong Tan	2012/04/30	product family	XCede											
surface	<table border="1"> <tr> <td>linear</td> <td>0.X</td> <td>±</td> </tr> <tr> <td></td> <td>0.XX</td> <td>±</td> </tr> <tr> <td></td> <td>0.XXX</td> <td>±</td> </tr> <tr> <td>angular</td> <td>0°</td> <td>±</td> </tr> </table>	linear	0.X	±		0.XX	±		0.XXX	±	angular	0°	±			<table border="1"> <tr> <td>title</td> <td>RECEPT MODULE, RIGHT ANGLE</td> </tr> <tr> <td></td> <td>8 COLUMN, 4 PAIR</td> </tr> </table>	title	RECEPT MODULE, RIGHT ANGLE		8 COLUMN, 4 PAIR	<table border="1"> <tr> <td>dwg no</td> <td>10091812</td> </tr> <tr> <td>rev</td> <td>B</td> </tr> </table>	dwg no	10091812	rev	B
linear	0.X	±																							
	0.XX	±																							
	0.XXX	±																							
angular	0°	±																							
title	RECEPT MODULE, RIGHT ANGLE																								
	8 COLUMN, 4 PAIR																								
dwg no	10091812																								
rev	B																								
ASME Y14.5		www.fci.com	cat. no.	SEE P/N TABLES	Product - Customer Drw	sheet 2 of 6																			

	1	2	3	4	5	6	7	8
	ASSEMBLY PART NUMBER	LEAD-FREE	MODULE DESCRIPTION AND USAGE NOTES	VERSION	IMPEDANCE	COMPLIANT TAIL STYLE AND PCB DRILL DIAMETER	DIM "K" (TAIL LENGTH)	REMARKS
A	10091812-101	NO	SEE NOTES 6 & 14	HSD	100Ω	STANDARD 0.57 (.0225")	2.0	TELCORDIA CO
	10091812-101LF	YES						
	10091812-111	NO	SEE NOTES 6 & 15					
	10091812-111LF	YES						
	10091812-501	NO	SEE NOTES 6 & 14					
	10091812-501LF	YES						
B	10091812-511	NO	SEE NOTES 6 & 15	HSD	100Ω	MICRO 0.45 (.0177")	1.3	TELCORDIA UE
	10091812-511LF	YES						
	10091812-102	NO	SEE NOTES 6 & 14					
	10091812-102LF	YES						
	10091812-112	NO	SEE NOTES 6 & 15					
	10091812-112LF	YES						
C	10091812-502	NO	SEE NOTES 6 & 14	HSD	100Ω	MICRO 0.45 (.0177")	1.3	TELCORDIA UE
	10091812-502LF	YES						
	10091812-512	NO	SEE NOTES 6 & 15					
	10091812-512LF	YES						
	10091812-103	NO	SEE NOTES 6 & 14					
	10091812-103LF	YES						
D	10091812-113	NO	SEE NOTES 6 & 15	LC	100Ω	STANDARD 0.57 (.0225")	2.0	TELCORDIA CO
	10091812-113LF	YES						
	10091812-503	NO	SEE NOTES 6 & 14					
	10091812-503LF	YES						
	10091812-513	NO	SEE NOTES 6 & 15					
	10091812-513LF	YES						
E	10091812-104	NO	SEE NOTES 6 & 14	LC	100Ω	MICRO 0.45 (.0177")	1.3	TELCORDIA CO
	10091812-104LF	YES						
	10091812-114	NO	SEE NOTES 6 & 15					
	10091812-114LF	YES						
	10091812-504	NO	SEE NOTES 6 & 14					
	10091812-504LF	YES						
F	10091812-514	NO	SEE NOTES 6 & 15	LC	100Ω	MICRO 0.45 (.0177")	1.3	TELCORDIA UE
	10091812-514LF	YES						



Copyright FCI.

spec ref	SEE NOTES	dr	Jim Swain	2010/01/22	projection	mm	size	A2	scale	2:1																						
tolerance std	TOLERANCES UNLESS OTHERWISE SPECIFIED	eng	Matthew Cheong	2012/04/30		mm	ecn no	ELX-S-011499-1	rel rev	Cf																						
ASME Y14.5		chr	-	appr							Chen-Hong Tan	2012/04/30	product family	XCede	rel rev	Released																
surface	<table border="1"> <tr> <td>linear</td> <td>0.X</td> <td>±-</td> </tr> <tr> <td></td> <td>0.XX</td> <td>±-</td> </tr> <tr> <td></td> <td>0.XXX</td> <td>±-</td> </tr> <tr> <td>angular</td> <td>0°</td> <td>±°</td> </tr> </table>	linear	0.X	±-		0.XX	±-		0.XXX	±-	angular	0°	±°		<table border="1"> <tr> <td>title</td> <td>RECEPT MODULE, RIGHT ANGLE</td> <td>dwg no</td> <td>10091812</td> <td>rev</td> <td>B</td> </tr> <tr> <td></td> <td>8 COLUMN, 4 PAIR</td> <td></td> <td></td> <td></td> <td></td> </tr> </table>	title	RECEPT MODULE, RIGHT ANGLE	dwg no	10091812	rev	B		8 COLUMN, 4 PAIR					<table border="1"> <tr> <td>cat. no.</td> <td>SEE PART NUMBER TABLE</td> <td>Product - Customer Drw</td> <td>sheet 3 of 6</td> </tr> </table>	cat. no.	SEE PART NUMBER TABLE	Product - Customer Drw	sheet 3 of 6
linear	0.X	±-																														
	0.XX	±-																														
	0.XXX	±-																														
angular	0°	±°																														
title	RECEPT MODULE, RIGHT ANGLE	dwg no	10091812	rev	B																											
	8 COLUMN, 4 PAIR																															
cat. no.	SEE PART NUMBER TABLE	Product - Customer Drw	sheet 3 of 6																													

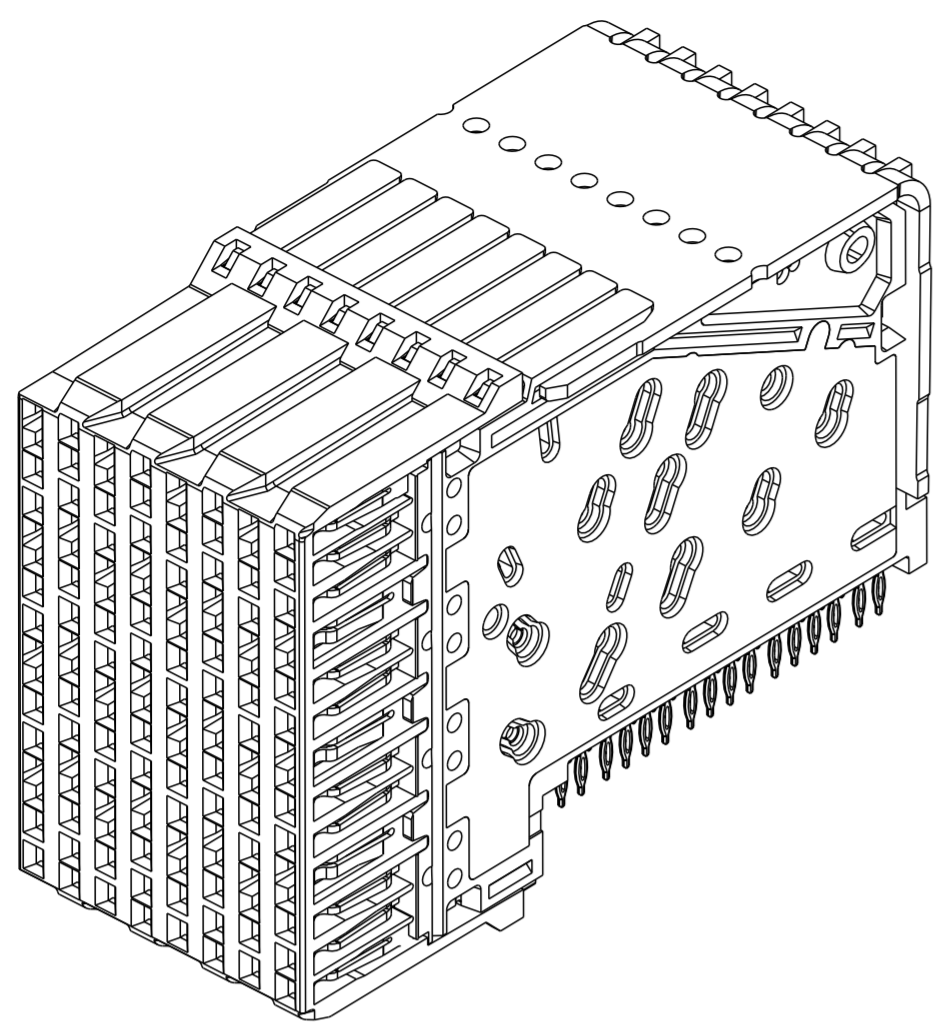
A	ASSEMBLY PART NUMBER	LEAD-FREE	MODULE DESCRIPTION AND USAGE NOTES	VERSION	IMPEDANCE	COMPLIANT TAIL STYLE AND PCB DRILL DIAMETER	DIM "K" (TAIL LENGTH)	REMARKS	PCB REQUIREMENTS													
									ATTRIBUTE	STANDARD TAIL	MICRO TAIL											
A	10091812-105	NO	SEE NOTES 6 & 14	HSD	85Ω	STANDARD 0.57 (.0225")	2.0	TELCORDIA CO	DRILL	∅0.57 (.0225")	∅0.45 (.0177")											
	10091812-105LF	YES							PTH	∅0.46±0.05	∅0.36±0.05											
	10091812-115	NO	SEE NOTES 6 & 15						PAD SEE NOTE 8	∅0.88	∅0.75											
	10091812-115LF	YES							MIN PCB THICKNESS	1.60	1.10											
	10091812-505	NO	SEE NOTES 6 & 14						HSD	85Ω	MICRO 0.45 (.0177")	1.3	TELCORDIA CO									
	10091812-505LF	YES												SEE NOTES 6 & 15	TELCORDIA UE							
10091812-515	NO	SEE NOTES 6 & 14	HSD	85Ω	MICRO 0.45 (.0177")	1.3	TELCORDIA CO															
10091812-515LF	YES							SEE NOTES 6 & 15						TELCORDIA UE								
10091812-106	NO	SEE NOTES 6 & 14														HSD	85Ω	MICRO 0.45 (.0177")	1.3	TELCORDIA CO		
10091812-106LF	YES							SEE NOTES 6 & 15													TELCORDIA UE	
10091812-116	NO	SEE NOTES 6 & 14							HSD	85Ω	MICRO 0.45 (.0177")	1.3	TELCORDIA CO									
10091812-116LF	YES							SEE NOTES 6 & 15							TELCORDIA UE							
10091812-506	NO	SEE NOTES 6 & 14	HSD	85Ω	MICRO 0.45 (.0177")	1.3	TELCORDIA CO															
10091812-506LF	YES							SEE NOTES 6 & 15						TELCORDIA UE								
10091812-516	NO	SEE NOTES 6 & 14														LC	85Ω	STANDARD 0.57 (.0225")	2.0	TELCORDIA CO		
10091812-516LF	YES							SEE NOTES 6 & 15													TELCORDIA UE	
10091812-107	NO	SEE NOTES 6 & 14							LC	85Ω	STANDARD 0.57 (.0225")	2.0	TELCORDIA CO									
10091812-107LF	YES							SEE NOTES 6 & 15							TELCORDIA UE							
10091812-117	NO	SEE NOTES 6 & 14	LC	85Ω	STANDARD 0.57 (.0225")	2.0	TELCORDIA CO															
10091812-117LF	YES							SEE NOTES 6 & 15						TELCORDIA UE								
10091812-507	NO	SEE NOTES 6 & 14														LC	85Ω	STANDARD 0.57 (.0225")	2.0	TELCORDIA CO		
10091812-507LF	YES							SEE NOTES 6 & 15													TELCORDIA UE	
10091812-517	NO	SEE NOTES 6 & 14							LC	85Ω	STANDARD 0.57 (.0225")	2.0	TELCORDIA CO									
10091812-517LF	YES							SEE NOTES 6 & 15							TELCORDIA UE							
10091812-108	NO	SEE NOTES 6 & 14	LC	85Ω	MICRO 0.45 (.0177")	1.3	TELCORDIA CO															
10091812-108LF	YES							SEE NOTES 6 & 15						TELCORDIA UE								
10091812-118	NO	SEE NOTES 6 & 14														LC	85Ω	MICRO 0.45 (.0177")	1.3	TELCORDIA CO		
10091812-118LF	YES							SEE NOTES 6 & 15													TELCORDIA UE	
10091812-508	NO	SEE NOTES 6 & 14							LC	85Ω	MICRO 0.45 (.0177")	1.3	TELCORDIA CO									
10091812-508LF	YES							SEE NOTES 6 & 15							TELCORDIA UE							
10091812-518	NO	SEE NOTES 6 & 14	LC	85Ω	MICRO 0.45 (.0177")	1.3	TELCORDIA CO															
10091812-518LF	YES							SEE NOTES 6 & 15						TELCORDIA UE								

PCB REQUIREMENTS		
ATTRIBUTE	STANDARD TAIL	MICRO TAIL
DRILL	∅0.57 (.0225")	∅0.45 (.0177")
PTH	∅0.46±0.05	∅0.36±0.05
PAD SEE NOTE 8	∅0.88	∅0.75
MIN PCB THICKNESS	1.60	1.10

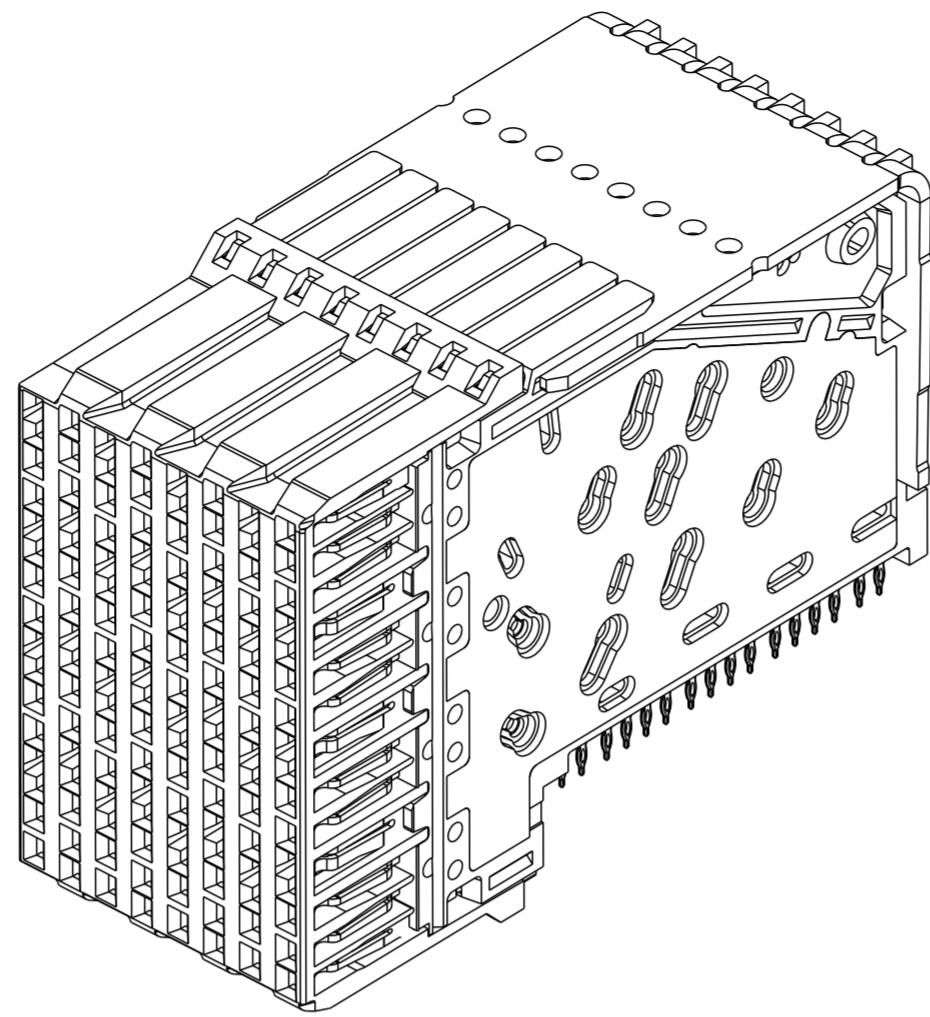


Copyright FCI.

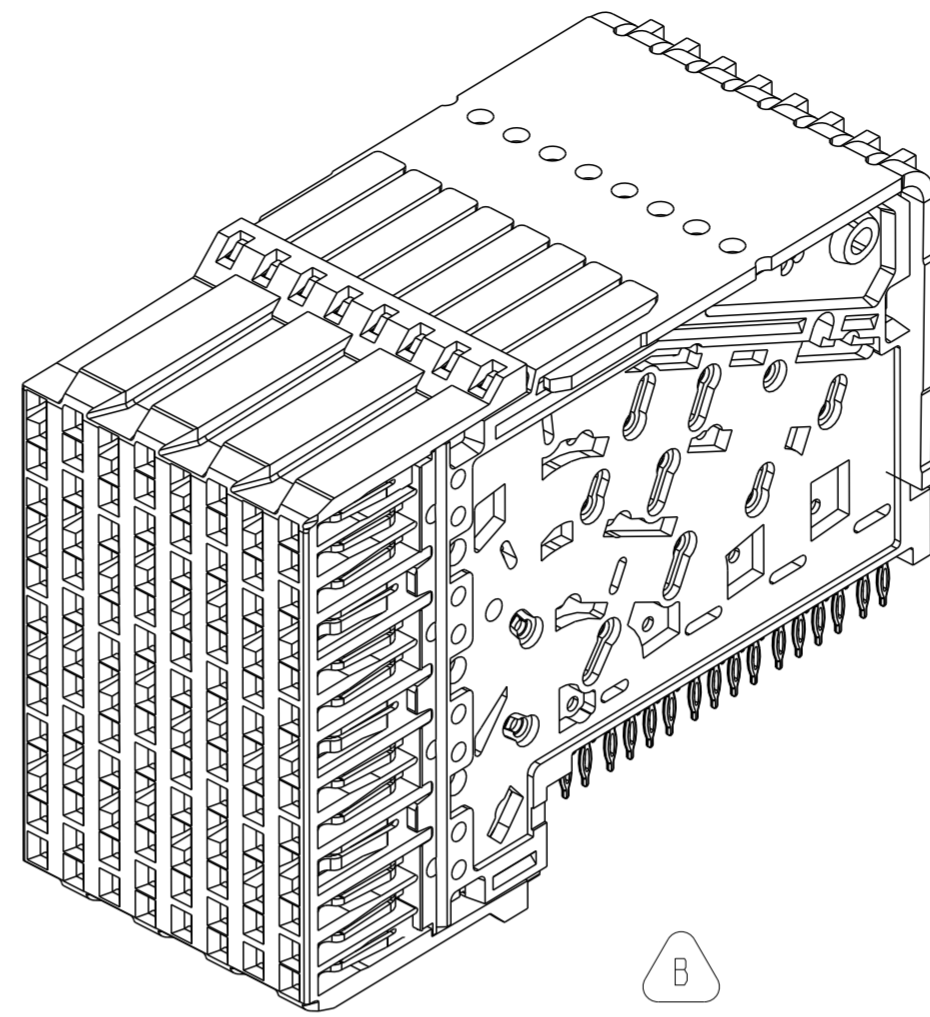
spec ref	SEE NOTES	dr	Jim Swain	2010/01/22	projection	mm	size	A2	scale	2:1	
tolerance std	ASME Y14.5	eng	Matthew Cheong	2012/04/30		mm	ecn no	ELX-S-011499-1	rel lev	Released	
TOLERANCES UNLESS OTHERWISE SPECIFIED		chr	-	2012/04/30							product family
surface	linear	appr	Chen-Hong Tan	2012/04/30	FCI		title	RECEPT MODULE, RIGHT ANGLE 8 COLUMN, 4 PAIR		rev	B
ASME Y14.5	angular	www.fci.com		cat. no.	SEE PART NUMBER TABLE	Product - Customer Drw	sheet 4 of 6				



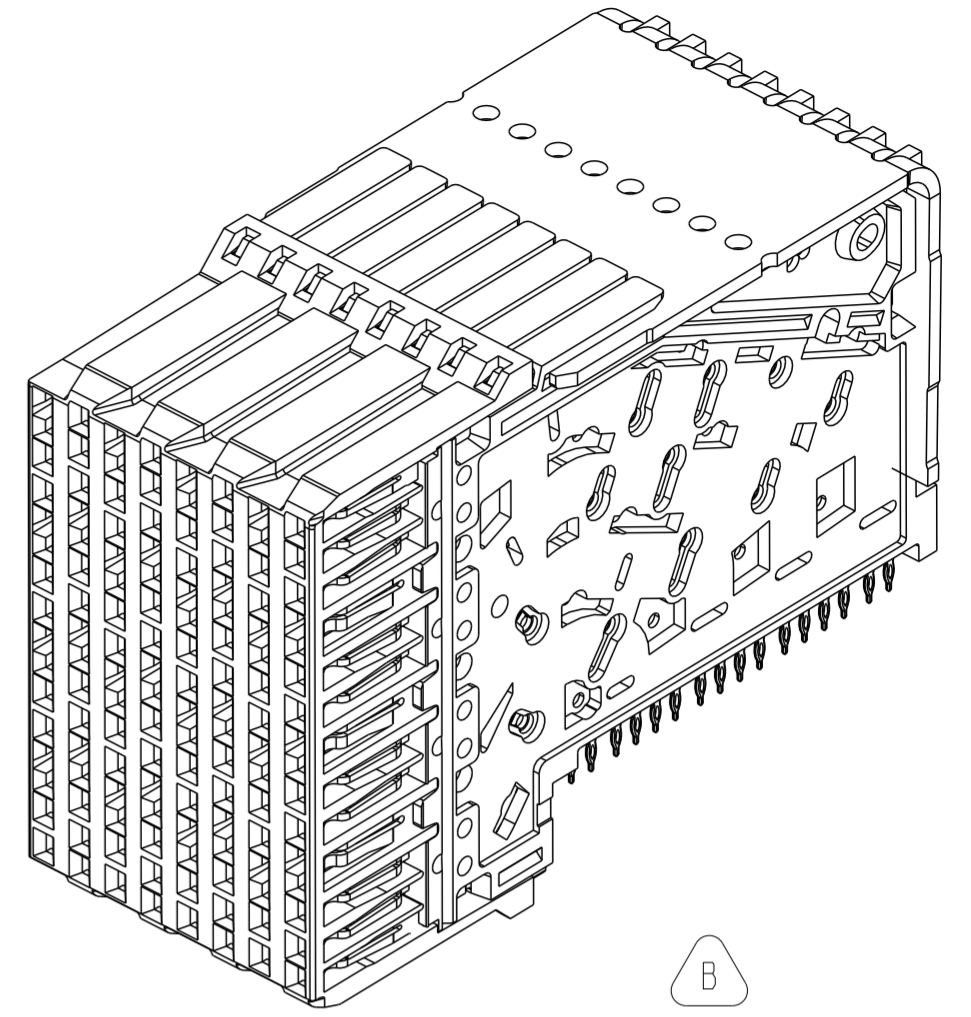
10091812-X01 & -X05  
HSD / 100Ω & 85Ω / STD EON  
SEE NOTE 14



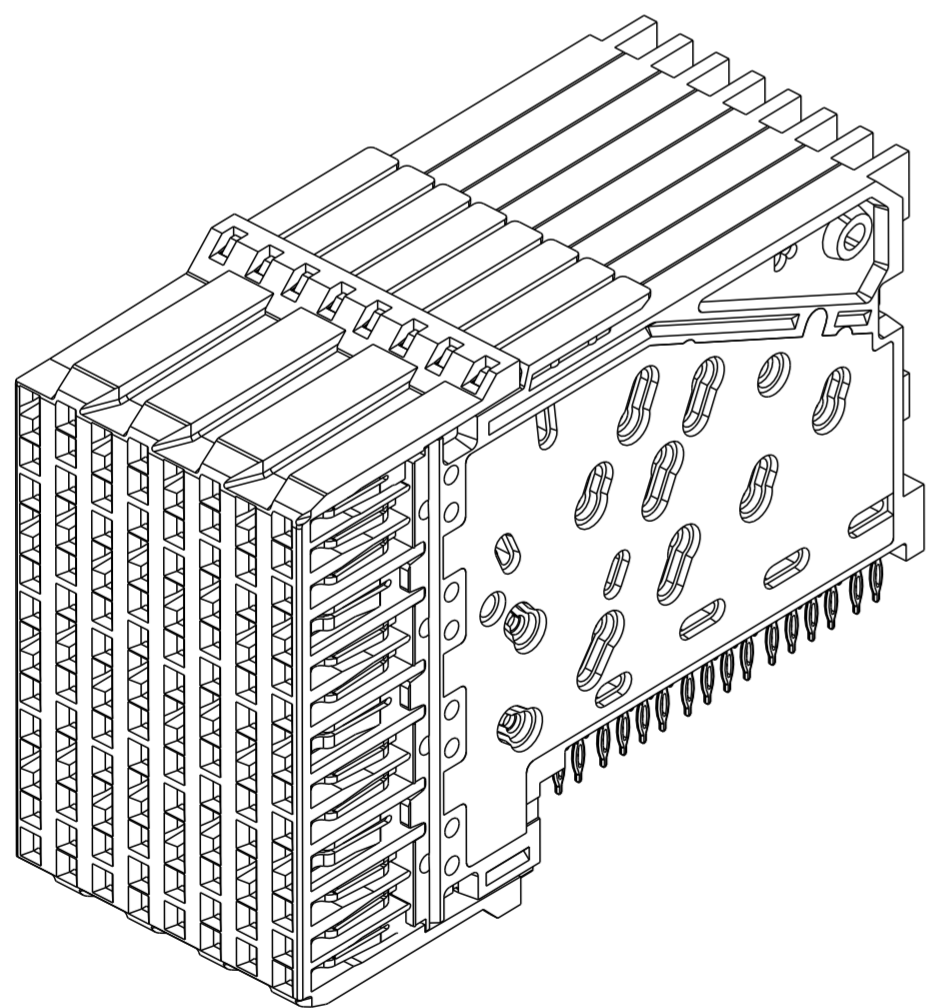
10091812-X02 & X06  
HSD / 100Ω & 85Ω / MICRO EON  
SEE NOTE 14



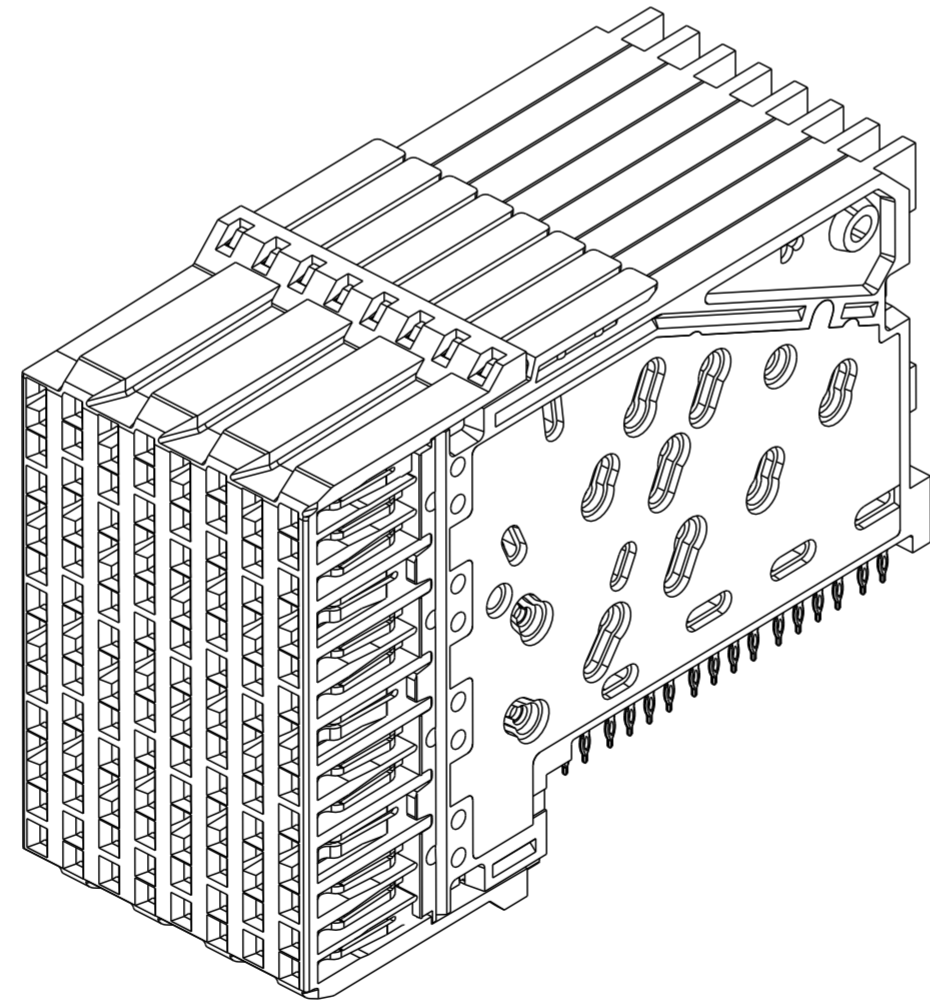
10091812-X03 & X07  
LC / 100Ω & 85Ω / STD EON  
SEE NOTE 14



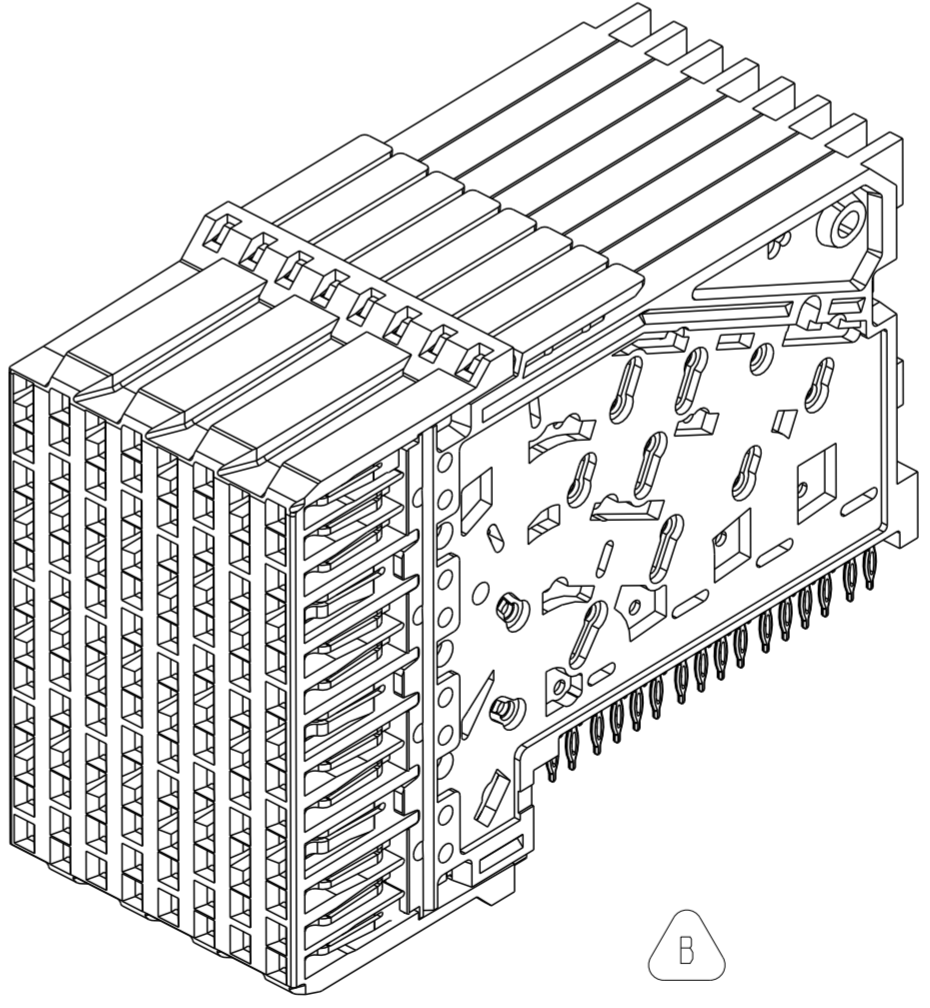
10091812-X04 & X08  
LC / 100Ω & 85Ω / MICRO EON  
SEE NOTE 14



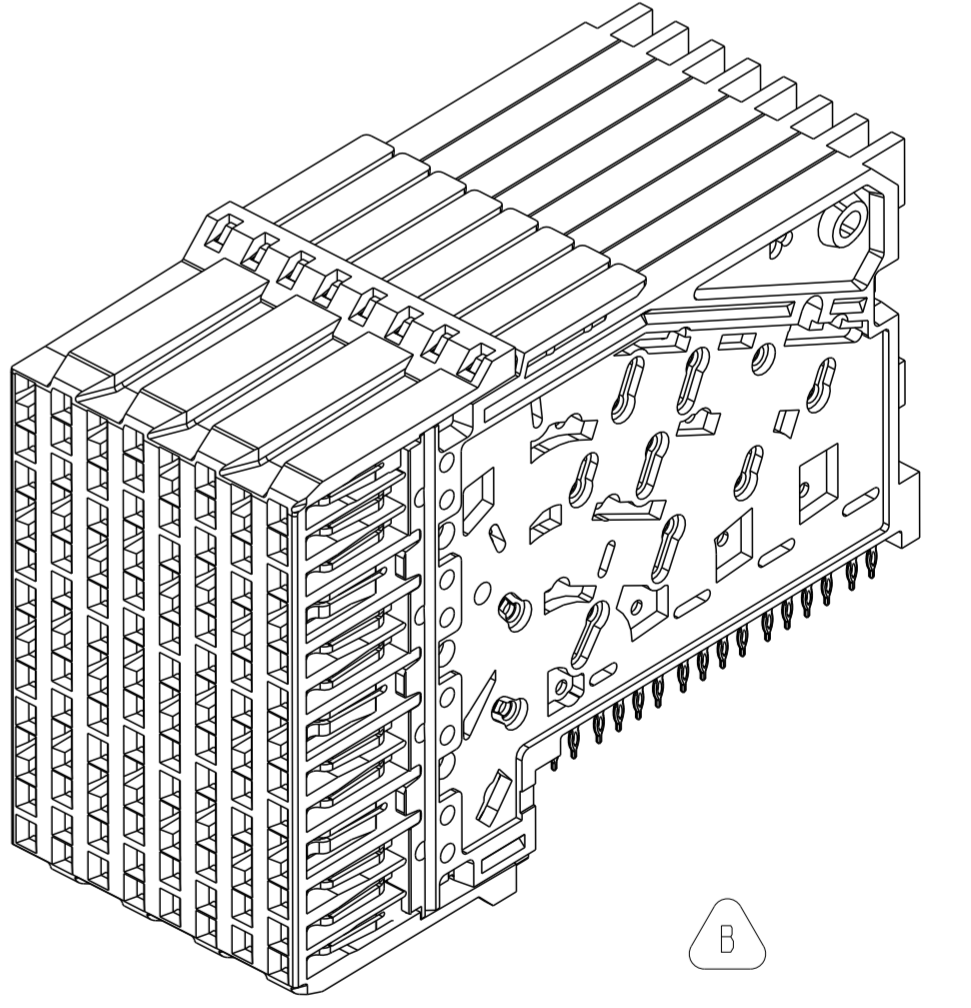
10091812-X11 & -X15  
HSD / 100Ω & 85Ω / STD EON  
SEE NOTE 15



10091812-X12 & X16  
HSD / 100Ω & 85Ω / MICRO EON  
SEE NOTE 15



10091812-X13 & X17  
LC / 100Ω & 85Ω / STD EON  
SEE NOTE 15



10091812-X14 & X18  
LC / 100Ω & 85Ω / MICRO EON  
SEE NOTE 15



Copyright FCI.

spec ref	SEE NOTES	dr	Jim Swain	2010/01/22	projection	mm	size	A2	scale	3:1										
tolerance std	TOLERANCES UNLESS OTHERWISE SPECIFIED	eng	Matthew Cheong	2012/04/30		mm	A2	3:1	ecn no	ELX-S-011499-1										
ASME Y14.5		chr	-	appr					Chen-Hong Tan	2012/04/30	product family	XCede	rel lev	CF	Released					
surface	<table border="1"> <tr> <td>linear</td> <td>0.X</td> <td>±</td> </tr> <tr> <td></td> <td>0.XX</td> <td>±</td> </tr> <tr> <td></td> <td>0.XXX</td> <td>±</td> </tr> <tr> <td>ASME Y14.5</td> <td>angular</td> <td>0°</td> <td>±°</td> </tr> </table>	linear	0.X	±		0.XX	±		0.XXX	±	ASME Y14.5	angular	0°	±°			<b>RECEPT MODULE, RIGHT ANGLE</b> <b>8 COLUMN, 4 PAIR</b>		title 10091812	rev B
linear	0.X	±																		
	0.XX	±																		
	0.XXX	±																		
ASME Y14.5	angular	0°	±°																	
		<a href="http://www.fci.com">www.fci.com</a>		cat. no. SEE P/N TABLES	Product - Customer Draw		sheet 5 of 6													

NOTES:

1. CONNECTOR MATERIALS:

HOUSING: HIGH-TEMPERATURE THERMOPLASTIC, GRAY, UL 94V-0  
 WAFERS: HIGH-TEMPERATURE THERMOPLASTIC, GRAY, UL 94V-0  
 CONTACTS: HIGH-PERFORMANCE COPPER ALLOY  
 ORGANIZER: STAINLESS STEEL

2. CONTACT PLATING:

SEPARABLE INTERFACE: PERFORMANCE-BASED PLATING, QUALIFIED TO MEET THE REQUIREMENTS OF FCI PRODUCT SPECIFICATION GS-12-588, INCLUDING THE TELCORDIA GR-1217-CORE (NOVEMBER 1995) CENTRAL OFFICE TEST SEQUENCE.

PRESS-FIT TAILS: TIN-LEAD ALLOY OVER NICKEL OR TIN OVER NICKEL (LEAD FREE) AS NOTED. SEE "LEAD-FREE" COLUMN IN P/N TABLE.

3. PRODUCT SPECIFICATION: GS-12-588

4. APPLICATION SPECIFICATION: GS-20-121

5. PRODUCT MARKING: APPLIED TO CUSTOM MONOBLOCK ASSEMBLY

6. XCede® MODULES ARE DESIGNED TO BE STACKED INTO A MONOBLOCK ASSEMBLY, JOINED TOGETHER BY A COMMON STAMPED METAL ORGANIZER. INDIVIDUALLY ASSEMBLED MODULES ARE OFFERED FOR PURPOSES OF SAMPLING AND INITIAL DESIGN-IN EVALUATION AS IDENTIFIED IN THE PART NUMBER TABLE.

7. DRAWING IS INTENDED FOR LAYOUT PURPOSES ONLY.

8. STATED PAD SIZE MAY REQUIRE FILLETING. REFER TO FCI APPLICATION SPECIFICATION FOR ROUTING GUIDELINES.

9. SEE PCB REQUIREMENTS TABLE AND FCI APPLICATION SPECIFICATION GS-20-121 FOR PCB HOLE SPECIFICATIONS AND ROUTING GUIDELINES.

10. LEAD-FREE PRODUCT MEETS THE EUROPEAN UNION DIRECTIVES AND OTHER COUNTRY REGULATIONS AS DESCRIBED IN FCI SPECIFICATION GS-22-008.

11. THE PLASTIC MATERIALS IN THIS PRODUCT WILL WITHSTAND EXPOSURE TO 260° PEAK TEMP FOR 40 SECONDS IN A CONVECTION, INFRA-RED, OR VAPOR PHASE REFLOW OVEN.

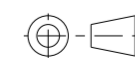

12. PACKAGING MEETS FCI SPECIFICATION GS-14-920 FOR LEAD-FREE LABELING.

13. THE SPECIFIED KEEP-OUT AREA IS REQUIRED FOR CONNECTOR REPAIRABILITY.

14. INDIVIDUAL MODULE ASSEMBLIES INCLUDING ASSEMBLED METAL ORGANIZER. THESE MODULES ARE TO BE USED FOR SAMPLING AND INITIAL EVALUATION ONLY. REF NOTE 6.

15. INDIVIDUAL MODULES TO BE SPECIFIED AND USED IN CUSTOM MONOBLOCK CONFIGURATIONS. REFERENCE NOTE 6 AND FCI APPLICATION SPECIFICATION FOR ADDITIONAL CONFIGURATION GUIDELINES AND INFORMATION.

16. A  SYMBOL WILL BE NEXT TO ANY DIMENSION, VIEW OR NOTES WHICH HAS BEEN MODIFIED WITH THE CURRENT DRAWING REVISION.

spec ref	SEE NOTES	dr	Jim Swain	2010/01/22	projection	mm	size	A2	scale	3:1
tolerance std	TOLERANCES UNLESS OTHERWISE SPECIFIED	eng	Matthew Cheong	2012/04/30		mm	ecn no	ELX-S-011499-1	rel rev	Released
ASME Y14.5		chr	-	appr						
surface	linear	0.X	±-		title	RECEPT MODULE, RIGHT ANGLE 8 COLUMN, 4 PAIR	dwg no	10091812	rev	B
		0.XX	±-							
		0.XXX	±-							
ASME Y14.5	angular	0°	±°	www.fci.com	cat. no.	SEE P/N TABLES	Product - Customer Drw	sheet 6 of 6		