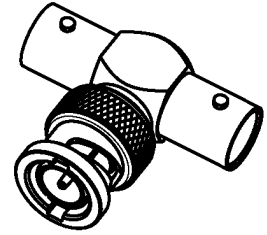
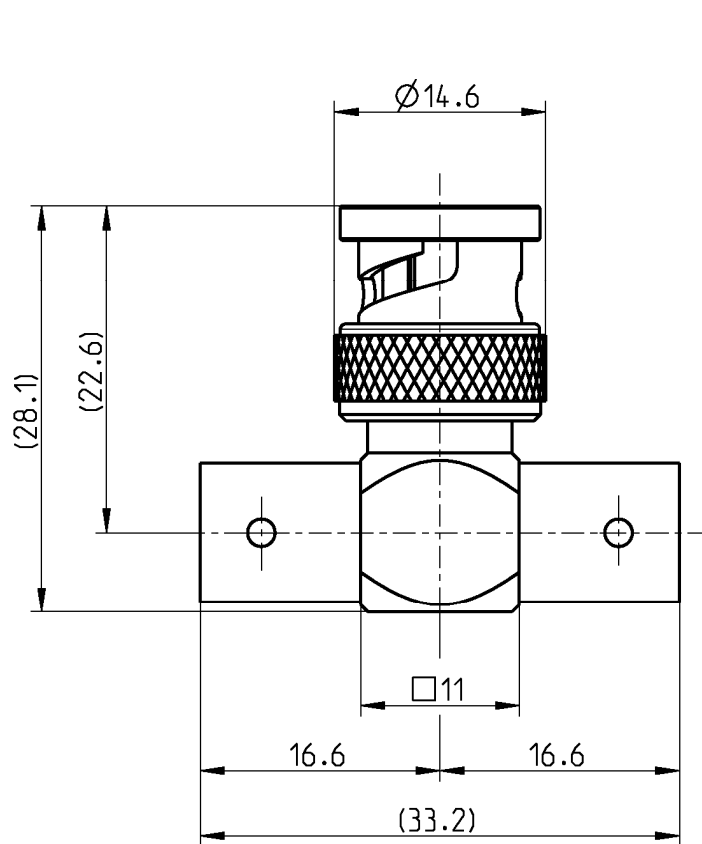


adaptor
BNC 75 Ω jack – plug - jack

71S301-K00N5



All dimensions are in mm; tolerances according to ISO 2768 m-H

Interface

Compatible to IEC 60169-8, MIL-PRF-39012, CECC 22120

Documents

N/A

Material and plating

Connector parts

Center contact jack side
Center contact plug side
Outer contact
Body
Dielectric
Gasket

Material

Spring bronze
Brass
Brass
Brass
PTFE
NeopreneCR 50C6

Plating

AuroDur®, gold plated
Gold, min. 0.15 µm, over chemical nickel
Flash white bronze over silver(e.g. Optargen®)
Flash white bronze over silver(e.g. Optargen®)

adaptor
BNC 75 Ω jack – plug - jack

71S301-K00N5

Electrical data

| | |
|--|-------------------------|
| Impedance | 75 Ω |
| Frequency | DC to 4 GHz |
| Insulation resistance | ≥ 5 x10 ³ MΩ |
| Center contact resistance | ≤ 1.5 mΩ |
| Outer contact resistance | ≤ 1 mΩ |
| Test voltage | 1500 V rms |
| Working voltage | 400 V rms |
| Power handling (at 20 °C, sea level, VSWR 1.0) | ≤ 80 W @ 2 GHz |

Mechanical data

| | |
|-----------------------------------|----------|
| Mating cycles | min. 500 |
| Center contact captivation: axial | ≥ 15 N |

Environmental data

| | |
|---------------------|---------------------------------|
| Temperature range | -45°C to +85°C |
| Thermal shock | MIL-STD-202, Meth. 107, Cond. B |
| Corrosion | MIL-STD-202, Meth. 101, Cond. B |
| Vibration | MIL-STD-202, Meth. 204, Cond. B |
| Shock | MIL-STD-202, Meth. 213, Cond. G |
| Moisture resistance | MIL-STD-202, Meth. 106 |
| RoHS | compliant |

Tooling

N/A

Suitable cables

N/A

Weight

| | |
|--------|------------|
| Weight | 22.6 g/pce |
|--------|------------|

While the information has been carefully compiled to the best of our knowledge, nothing is intended as representation or warranty on our part and no statement herein shall be construed as recommendation to infringe existing patents. In the effort to improve our products, we reserve the right to make changes judged to be necessary.

| Draft | Date | Approved | Date | Rev. | Engineering change number | Name | Date |
|--|----------|-------------------|----------|------|--|-----------|---------------|
| Inge Mühlauer | 03/08/04 | Sa. Krautenbacher | 24.03.14 | e00 | 14-0352 | T. Krojer | 24.03.14 |
| Rosenberger Hochfrequenztechnik GmbH & Co. KG P.O.Box 1260 D-84526 Tittmoning Germany www.rosenberger.de | | | | | Tel.: +49 8684 18-0 Fax: +49 8684 18-499 email: info@rosenberger.de | | Page 2 / 2 |