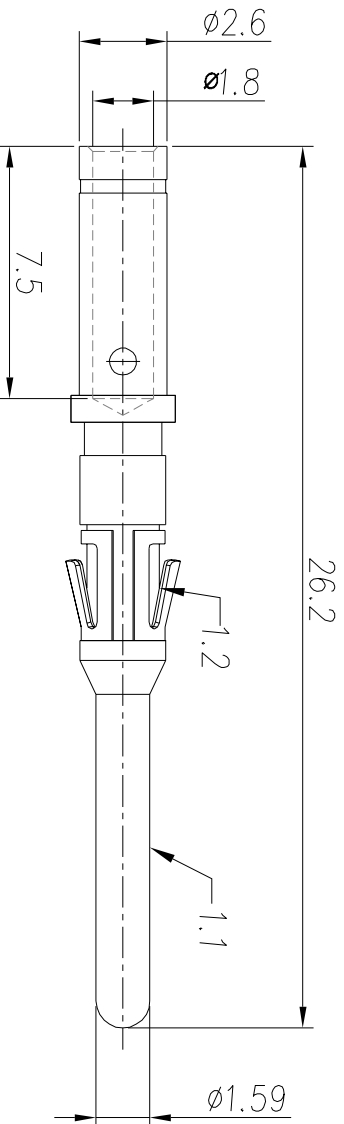


REVISIONS				
REV	ECO	DESCRIPTION	DATE	BY APPR
B1	-	RELEASED DRAWING	JAN-18-2014	ARROW TOMMY



P/N	CONTACT PLATING(MATING AREA)
MP16M23T	TIN PLATING OVER NICKEL.
MP16M23S	SILVER PLATING OVER NICKEL.
MP16M23F	GOLD FLASH PLATING OVER NICKEL.
MP16M23G10	10µ" GOLD PLATING OVER NICKEL.
MP16M23G15	15µ" GOLD PLATING OVER NICKEL.
MP16M23G30	30µ" GOLD PLATING OVER NICKEL.

- NOTES : (UNLESS OTHERWISE SPECIFIED)
- MATERIAL :
 - CONTACT BODY : COPPER ALLOY.
 - POSITIONING CLIP : COPPER ALLOY.
 - SPECIFICATIONS :
 - CURRENT RATING : 13A(MAX).
 - TERMINATION TYPE : CRIMPING.
 - WIRE RANGE : 16-18AWG.
 - SUITABLE SOCKET TYPE : MS16M23xx.
 - ROHS COMPLIANT.
 - ALL DIMENSIONS ARE FOR REFERENCE USE ONLY.

QUANTITY	PART NUMBER	DESCRIPTION	ITEM
MATERIALS LIST			
UNLESS OTHERWISE SPECIFIED		SIGNATURES	
1) ALL DIMENSIONS ARE IN INCHES.		DRAWN: ARROW	
2) TOLERANCES ARE AS SHOWN.		DATE: 1/17/14	
3) Note reference =		CHECKED: JMW/2/14	
1) PL, DISC 20 20		ENGINEER:	
2) PL, DISC 20 20		APPROVAL:	
3) Note reference =		CUSTOMER:	
MATERIAL SPECIFICATIONS:		THIS DRAWING IS SUPPLIED FOR SPECIFICATIONS AND PERFORMANCE DATA. THE DRAWING IS NOT TO BE USED FOR REPRODUCTION IN ANY MANNER. ALL MANUFACTURING VARIATIONS.	
PROCESS SPECIFICATIONS:		SIZE: B	
NEXT ASST:		TYPE: C-	
		DRAWING: MP16M23xx	
		SCALE: NONE	
		SHEET 1 OF 1	
		REVISION: B1	

Amphenol
 Sine Systems - www.amphenol-sine.com
 44724 Monkey Drive
 Clinton Township, MI 48038

ECO-MATE PIN CONTACT
 MACHINE, 16-18AWG, SIZE 16