

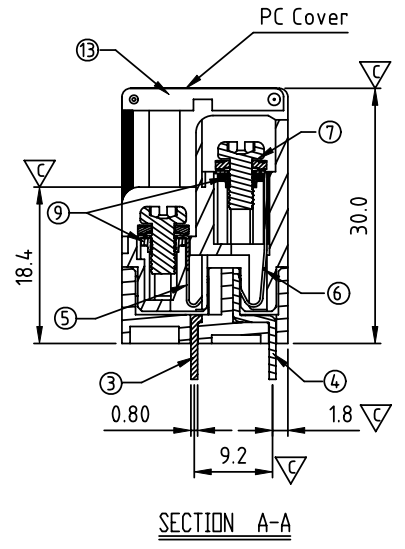
SIGN	DATE	DESCRIPTION	APPROVER
△	12/13'12	Change the screw plating specification	Guoxue

THIS IS CAD DRAWING, DO NOT REVISE MANUALLY!!!



MATERIALS ELECTRICAL  
 RATED VOLTAGE & CURRENT: 300 V, 15 A  
 WITHSTAND VOLTAGE: AC 2000 V/Min  
 INSULATION RESISTANCE: 1000 MΩ OR MORE AT DC 500 V  
 OPERATING TEMPERATURE RANG: -40 °C ~ +115 °C  
 SOLDEING TEMPERATURE: 250°C±10°C/5 Sec  
 SCREW TORQUE VALUE: 7Lb-In  
 WIRE RANGE: 22 - 12 AWG  
 Safety Approval: US  
 Critical dimension:

NO:	Name	Material/ standards	Number
①	Molded Parts:	PBT, UL 94 V-0	1
②	Molded Parts:	PBT, UL 94 V-0	1
③	Terminals(S):	Brass 0.8t	N
④	Terminals(L):	Brass 0.8t	N
⑤	Spring Clamp(S):	PhBz 0.3t	N
⑥	Spring Clamp(L):	PhBz 0.3t	N
⑦	Terminals Screw:	Steel M3	2×N
⑧	Flange Screw:	Steel M3 Zinc plated	2
⑨	Clamp Nut:	Brass 0.8t	2×N
⑩	Cushion:	Steel 0.4t Nickel plated	4
⑪	Locking:	Steel 0.4t Nickel plated	2
⑫	Flange Nut:	Brass M3	2
⑬	Cover:	PC	1



N = Number of poles  
 Dim A (N-1)×7.62+17.59  
 Dim B (N-1)×7.62

Poles	Dim A	Dim B
2×10P-2×12P	±0.40	±0.40
2×13P-2×16P	±0.50	±0.50
2×17P-2×21P	±0.60	±0.60

YK 661 xx 1 x x 0 x G

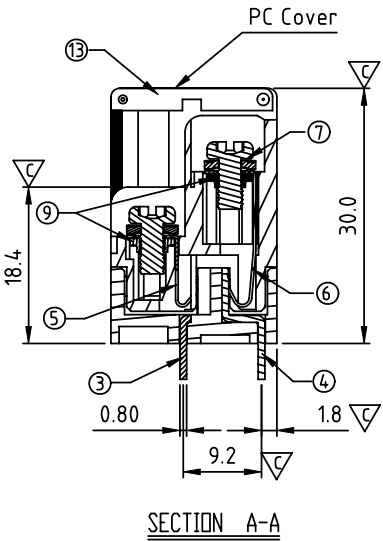
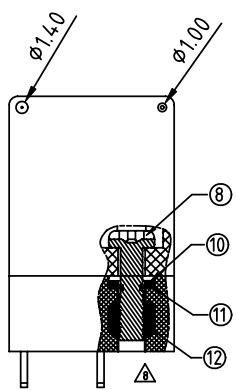
RoHS compliant (lead<4%)  
 In copper Alloy  
 0: GREY (RAL7038)  
 1: BLACK (RAL9005)

MARK  
 0: "@ " MARK  
 1: "ANY" MARK

NO. OF POLES  
 20: 2×10 POLES  
 22: 2×11 POLES  
 42: 2×21 POLES

TERMINAL & SCREW PLATED  
 0: TERMINAL & SCREW: G/F  
 △1: TERMINAL: G/F, SCREW: ZINC

<b>ANYTEK</b>				<b>CUSTOMER COPY</b>	
ALL RIGHTS RESERVED. REPRODUCTION OR ISSUE TO THIRD PARTIES IN ANY FORM WHATSOEVER IS NOT PERMITTED WITHOUT WRITTEN AUTHORITY FROM THE PROPRIETOR. PROPERTY OF ANYTEK TECHNOLOGY CO., LTD					
TITLE	YK-661 Series With flange & With cover (2×10p ~ 2×21p)				
PART NO.	YK661xx1xx0xG	DWG NO.	8YK0004-661		
APPROVED	CHECKED	DESIGNED	DRAWN	CUST NO.	Tolerance
		Guoxue 2012.12.13	Guoxue 2012.12.13		X. ±0.50 X.X ±0.30 X.XX ±0.10 X° ±1°
				SHEET: 01/01	UNIT: mm SCALE: NONE REV.: C



SIGN	DATE	DESCRIPTION	APPROVER
△	11/12'07	PCB Layout changed	Tony
△	5/20'09	Temperature changed from -40°C-105°C to -40°C-115°C	Eris
△	5/20'09	Screw torque value changed from 8Kgf.cm to 7 lb-In	Eris
△	5/20'09	wire range changed from 22-14 AWG to 22-12 AWG	Eris
△	6/29'09	Part NO is Changed	Aaron
△	7/06'09	Add cULus	Aaron
△	5/27'10	The design & Flange Nut is changed	Chen Bo
△	7/05'11	It is changed to insert molding here.	Chen Bo
△	10/21'11	Add the Soldering temperature	Chen Bo
△	05/15'12	The number of poles is changed	Guoxue
△	12/13'12	Change the screw plating specification	Guoxue

THIS IS CAD DRAWING, DO NOT REVISE MANUALLY!!!

**MATERIALS ELECTRICAL**  
**RATED VOLTAGE & CURRENT:** 300 V, 15 A  
**WITHSTAND VOLTAGE:** AC 2000 V/Min  
**INSULATION RESISTANCE:** 1000 MΩ OR MORE AT DC 500 V  
**△ OPERATING TEMPERATURE RANG:** -40 °C ~ +115 °C  
**△ SOLDEING TEMPERATURE:** 250°C±10°C/5 Sec  
**△ SCREW TORQUE VALUE:** 7Lb-In  
**△ WIRE RANGE:** 22 - 12 AWG  
**△ Safety Approval:** US  
**Critical dimension:**

NO:	Name	Material	Number
①	Molded Parts:	PBT, UL 94 V-0	1
②	Molded Parts:	PBT, UL 94 V-0	1
③	Terminals(S):	Brass 0.8t	N
④	Terminals(L):	Brass 0.8t	N
⑤	Spring Clamp(S):	PhBz 0.3t	N
⑥	Spring Clamp(L):	PhBz 0.3t	N
⑦	Terminals Screw:	Steel M3	2×N
⑧	Flange Screw:	Steel M3 Zinc plated	2
⑨	Clamp Nut:	Brass 0.8t	2×N
⑩	Cushion:	Steel 0.4t Nickel plated	4
⑪	Locking:	Steel 0.4t Nickel plated	2
⑫	Flange Nut:	Brass M3	2
⑬	Cover:	PC	1

N = Number of poles

Dim A (N-1)×7.62+17.59

Dim B (N-1)×7.62

POLES	Dim A	Dim B
2×2P-2×4P	±0.20	±0.20
2×5P-2×8P	±0.30	±0.30
2×9P	±0.40	±0.40

**YK 661 xx 1 x x 0 x G**

RoHS compliant (lead<4%) In copper Alloy

0: GREY (RAL7038)  
 △1: BLACK (RAL9005)

MARK  
 0: "@ " MARK  
 1: "ANY " MARK

NO. OF POLES  
 04: 2×2 POLES  
 06: 2×3 POLES  
 18: 2×9 POLES

TERMINAL & SCREW PLATED  
 0: TERMINAL & SCREW: G/F  
 △1: TERMINAL: G/F, SCREW: ZINC  
 2: TERMINAL: Sn, SCREW: G/F  
 △3: TERMINAL: Sn, SCREW: ZINC

# ANYTEK

## CUSTOMER COPY

ALL RIGHTS RESERVED. REPRODUCTION OR ISSUE TO THIRD PARTIES IN ANY FORM WHATSOEVER IS NOT PERMITTED WITHOUT WRITTEN AUTHORITY FROM THE PROPRIETOR. PROPERTY OF ANYTEK TECHNOLOGY CO., LTD

TITLE		YK-661 Series With flange & With cover (2p×2p ~ 2×9p)			
PART NO.	YK661xx1xx0xG	DWG NO.	8YK0001-661		
APPROVED	CHECKED	DESIGNED	DRAWN	CUST NO.	Tolerance
		Guoxue 2012.12.13	Guoxue 2012.12.13		X. ±0.50 X.X ±0.30 X.XX ±0.10 X° ±1°
				SHEET: 01/01	REV.: I