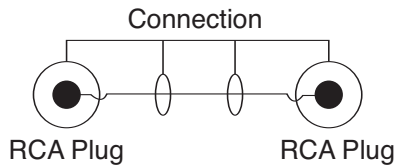
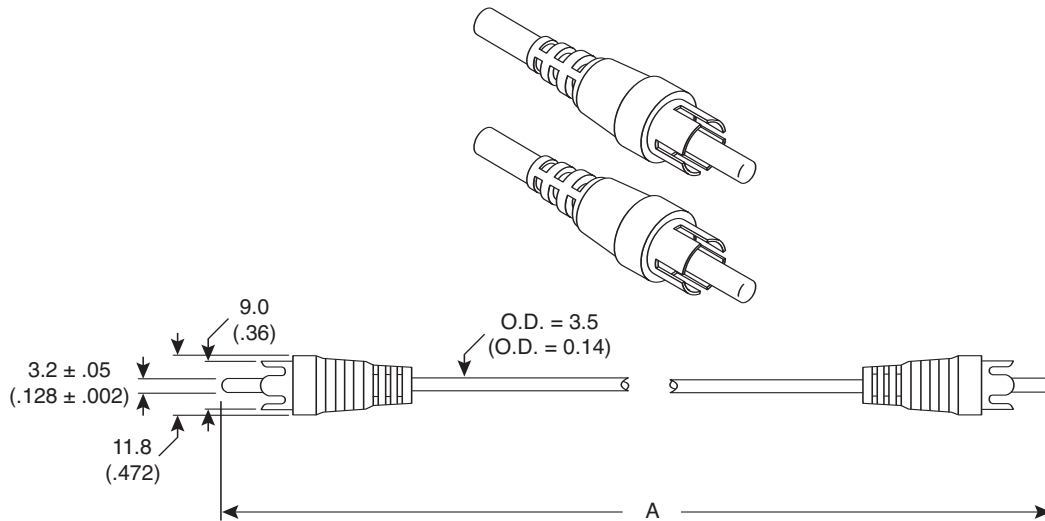


RCA Phono Type Cable

17FH101, 172-1011



RCA Phono Type Cable



Dimensions: mm and (In.)

Part No.	"A" Length mm (In.)
17FH101	920 ± 30 (36.8 ± 1.20)
172-1011	3050 ± 100 (.122 ± 4.0)

SPECIFICATIONS	
Type:	male/male RCA plug, shielded cable
Conductor:	38AWG x 10 strands (0.10mm x 10 strands)
Shielding:	38AWG x 26 strands (0.10mm x 26 strands)
Jacket:	gray PVC
O.D.:	0.14" (3.5mm)
Cable spec:	(10/0.12 + 30/0.12) x 1C
Temperature:	60°C
Resistance:	0.15Ω per meter
Jacket:	gray P.V.C.
Voltage rating:	24V DC
Capacitance:	180 ± 5%pf/M 1KHz 25°C

Date Last Revised: 4-6-05

Available from Mouser Electronics
1-800-346-6873
www.mouser.com

KC- 300315

17FH101, 172-1011