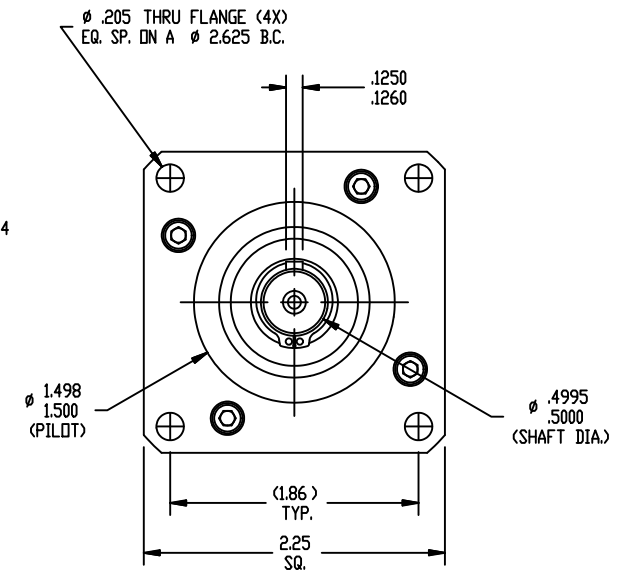
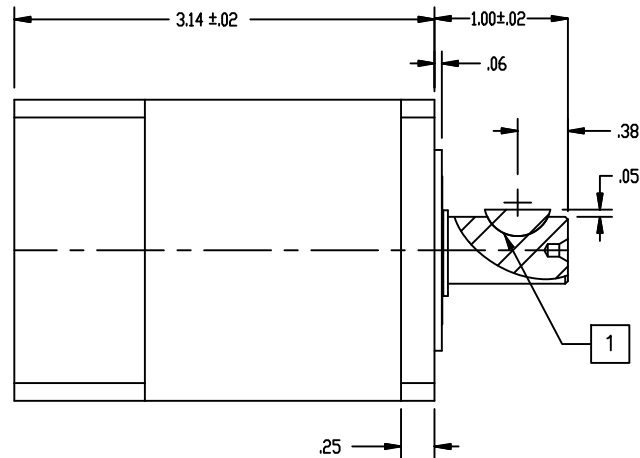
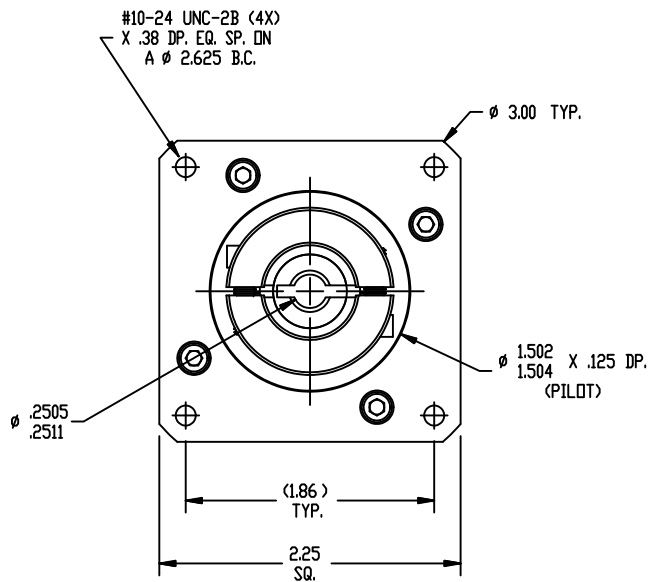


REVISIONS			
REV	DESCRIPTION	DATE	APPROVED
A	INITIAL RELEASE ECO 6709	2/22/13	J Kordik



NOTES: UNLESS OTHERWISE SPECIFIED

- 1 #404 WOODRUFF KEY.
2. 23VL025 RATIO- 25:1
3. FOR TECHNICAL DETAILS, CONTACT APPLIED MOTION PRODUCTS.

TOLERANCES	THIRD ANGLE PROJECTION	APPLIED MOTION PRODUCTS, INC.	
DECIMALS: [MM] INCH X.XXX = \pm .005 X.XX = \pm [0.13] .010 X.X = \pm [0.25] .020 ANGLES: MACH. = \pm .5° CHAM. = \pm 5°		 OUTLINE, GEAR HEAD, VL23, 2 STAGE	
COMPUTER DATA BASE DRAWING	APPROVALS		
	DRAWN <i>R. JONEZ</i>	2/22/13	REV A
	CHECKED		B DWG NO. 23VL025
	APPROVED		SCALE: FULL SHEET 1 OF 1