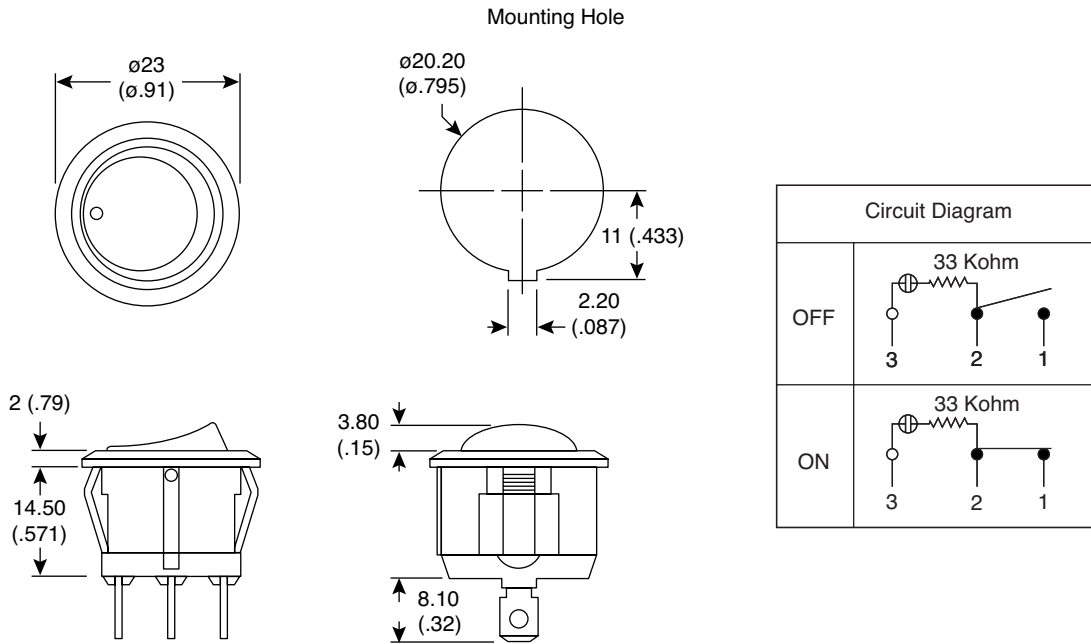


Dimensions: mm (in.)



Mouser Stock No.	Color
103-R13-112B2-02R-EV	Red
103-R13-112B2-02Y-EV	Yellow
103-R13-112B2-02G-EV	Green

Electrical Specifications:

- Rating: 16A/125VAC, 10A/250VAC
- Contact resistance: 50mΩ max.
- Insulation resistance: 500VDC 100MΩ min.
- Dielectric strength: 1500VAC 1 minute

Note:

- RoHS Compliant

Illuminated Rocker Switches
 103-R13-112B2-02R-EV, 103-R13-112B2-02G-EV,
 103-R13-112B2-02Y-EV

