

## TUNING FORK CRYSTAL UNIT (SMD · Plastic Package)

RoHS compliant

# CM250C

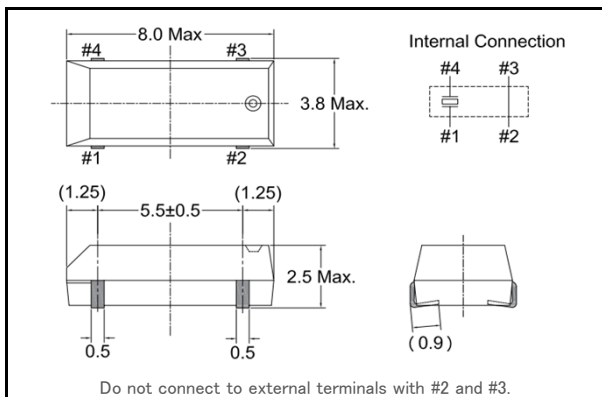
3,000pcs/reel



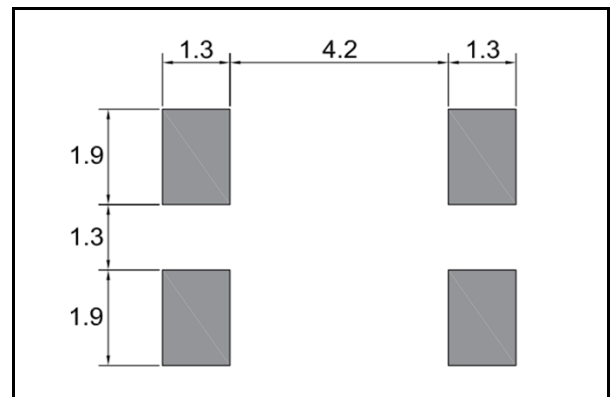
### FEATURES

- Frequency range : 30 ~ 100kHz
- External dimensions (mm)  
L : 8.0 x W : 3.8 x H : 2.55
- Applications  
Communication devices

### DIMENSION [mm]



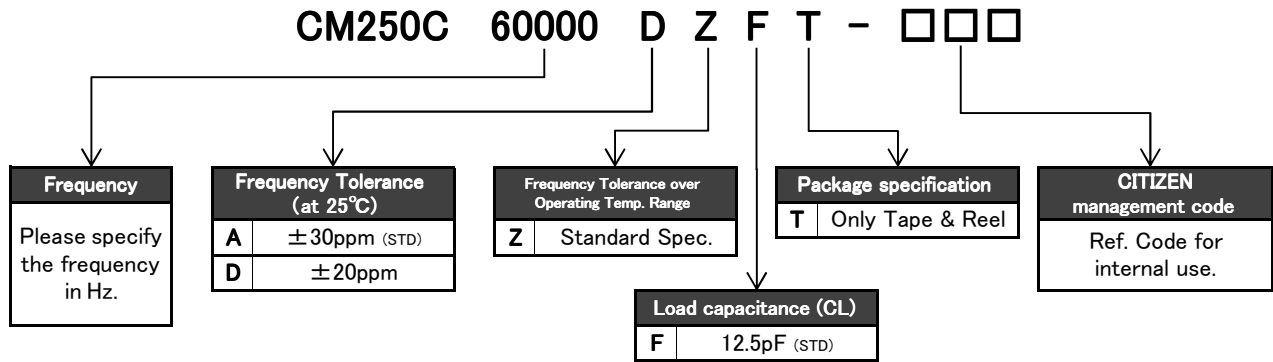
### SOLDER PAD LAYOUT [mm]



### STANDARD SPECIFICATIONS

Item	Model	CM250C	Conditions
Nominal Frequency	$f_0$	30kHz ~ 100kHz	Please contact us for frequencies available
Frequency Tolerance	$\Delta f/f_0$	$\pm 20\text{ppm} / \pm 30\text{ppm}$	at 25°C
Load capacitance	$C_L$	12.5pF	Please specify your requirement
Operating Temperature Range	$T_{OPR}$	-40°C ~ +85°C	
Storage Temperature Range	$T_{STR}$	-55°C ~ +125°C	
Turnover Temperature	$T_M$	25°C±5°C	
Temperature Coefficient	$\beta$	-0.034±0.006ppm/°C <sup>2</sup>	
Motional (series) resistance	$R_1$	50KΩ Max.	at 25°C
Level of drive	$D_L$	1 μW Max.	
Aging (first year)	$\Delta f/f_0$	±5ppm Max.	25°C±3°C
Shunt capacitance	$C_0$	0.8pF ~ 1.7pF Typ.	

## ■ PART NUMBERING SYSTEM



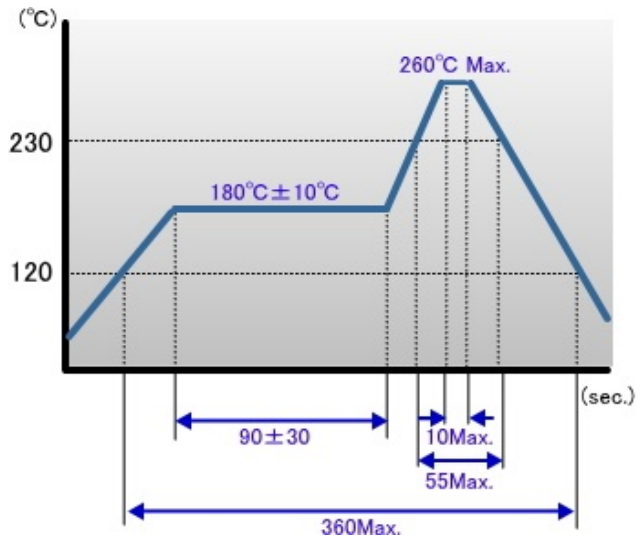
\*Please contact us for specifications available.

## ■ Part Marking [standard]

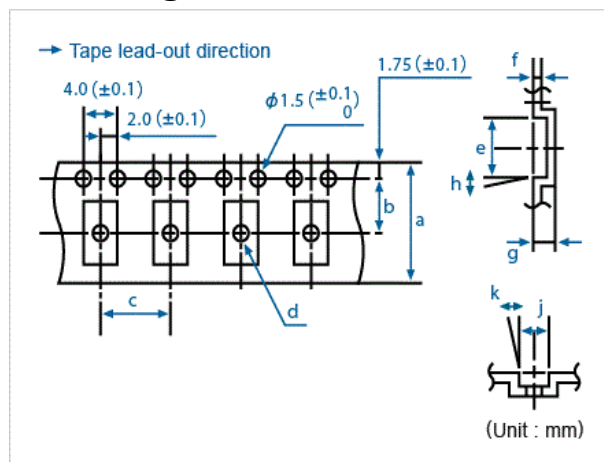


- \* : Manufacturer's ID Code
- y : The last digit of production year
- w : Production week code

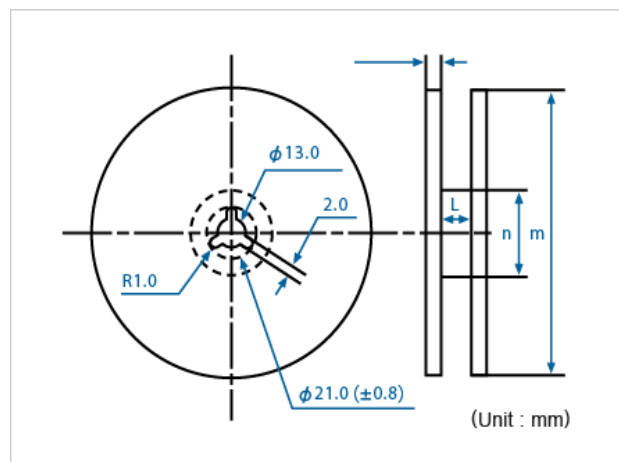
## ■ Reflow profile



## ■ Packing



Conforming to JIS C 0806 TB1208NEIAJ and RC-1009B TE1208N



Conforming to JIS C 0806 R12R and EIAJ RC-1009B R15

Q'ty/reel	a	b	c	d (φ)	e	f	g	h	j	k	l	m (φ)	n (φ)
3,000	16.0	7.5	8.0	1.6	8.3	0.3	2.70	5°	4.05	5°	17.5	330	100

Rev.1