

TUNING FORK CRYSTAL UNIT (SMD · Plastic Package)

RoHS compliant

CM250C

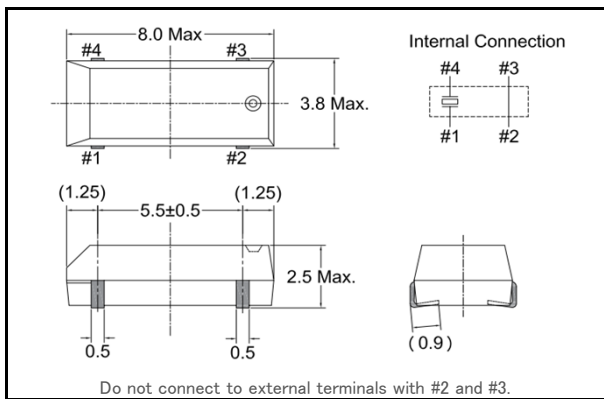
3,000pcs/reel



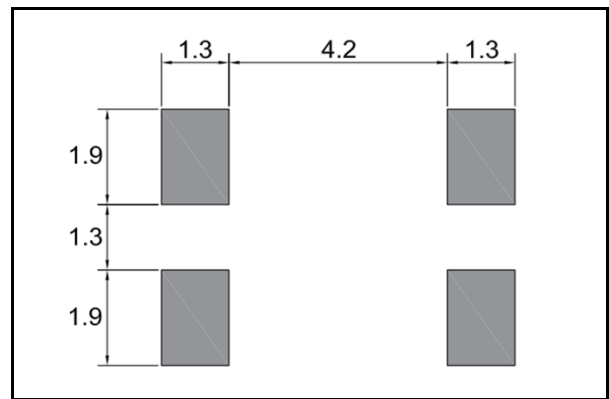
FEATURES

- Frequency range : 30 ~ 100kHz
- External dimensions (mm)
L : 8.0 x W : 3.8 x H : 2.55
- Applications
Communication devices

DIMENSION [mm]



SOLDER PAD LAYOUT [mm]



STANDARD SPECIFICATIONS

Item	Model	CM250C	Conditions
Nominal Frequency	f_0	30kHz ~ 100kHz	Please contact us for frequencies available
Frequency Tolerance	$\Delta f/f_0$	$\pm 20\text{ppm} / \pm 30\text{ppm}$	at 25°C
Load capacitance	C_L	12.5pF	Please specify your requirement
Operating Temperature Range	T_{OPR}	-40°C ~ +85°C	
Storage Temperature Range	T_{STR}	-55°C ~ +125°C	
Turnover Temperature	T_M	25°C ± 5°C	
Temperature Coefficient	β	$-0.034 \pm 0.006\text{ppm}/^\circ\text{C}^2$	
Motional (series) resistance	R_1	50K Ω Max.	at 25°C
Level of drive	D_L	1 μW Max.	
Aging (first year)	$\Delta f/f_0$	$\pm 5\text{ppm}$ Max.	25°C ± 3°C
Shunt capacitance	C_0	0.8pF ~ 1.7pF Typ.	

■ PART NUMBERING SYSTEM



*Please contact us for specifications available.

■ Part Marking [standard]



- * : Manufacturer's ID Code
- y : The last digit of production year
- w : Production week code

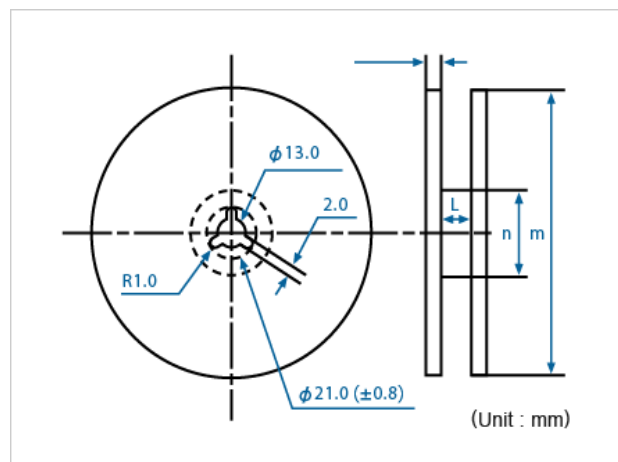
■ Reflow profile



■ Packing



Conforming to JIS C 0806 TB1208NEIAJ and RC-1009B TE1208N



Conforming to JIS C 0806 R12R and EIAJ RC-1009B R15

Q'ty/reel	a	b	c	d (φ)	e	f	g	h	j	k	l	m (φ)	n (φ)
3,000	16.0	7.5	8.0	1.6	8.3	0.3	2.70	5°	4.05	5°	17.5	330	100

Rev.1