

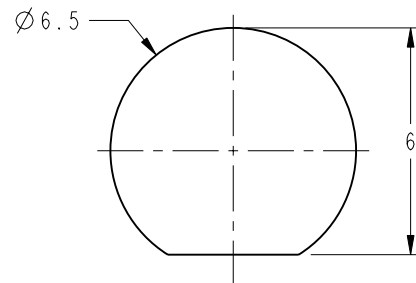
NOTES:

1. MATERIALS AND FINISHES:
 - SMA JACK: BODY: BRASS, GOLD PLATING
 - INSULATOR: PTFE, NATURAL
 - CONTACT: BERYLLIUM COPPER, GOLD PLATING
 - PROBE CONNECTOR: BODY: PHOSPHOR BRONZE, GOLD PLATING
 - CONTACT: BRASS, GOLD PLATING
2. ELECTRICAL:
 - A. IMPEDANCE: 50 OHM
 - B. FREQUENCY RANGE: DC - 3 GHz
 - C. VSWR: 1.6 FROM DC - 3 GHz
 - D. INSERTION LOSS: 1.6 dB FROM DC - 3 GHz
 - E. DIELECTRIC WITHSTANDING VOLTAGE: 100 VRMS, MIN.
3. MECHANICAL:
 - A. DURABILITY: 500 CYCLES MIN.
 - B. TEMPERATURE RANGE: -40° C TO +85° C
4. PACKAGING:
 - A. QUANTITY: SINGLE PACK
 - B. MARKING: BAG TO BE MARKED
"AMPHENOL, 95-668-45069-1, AND DATE CODE"

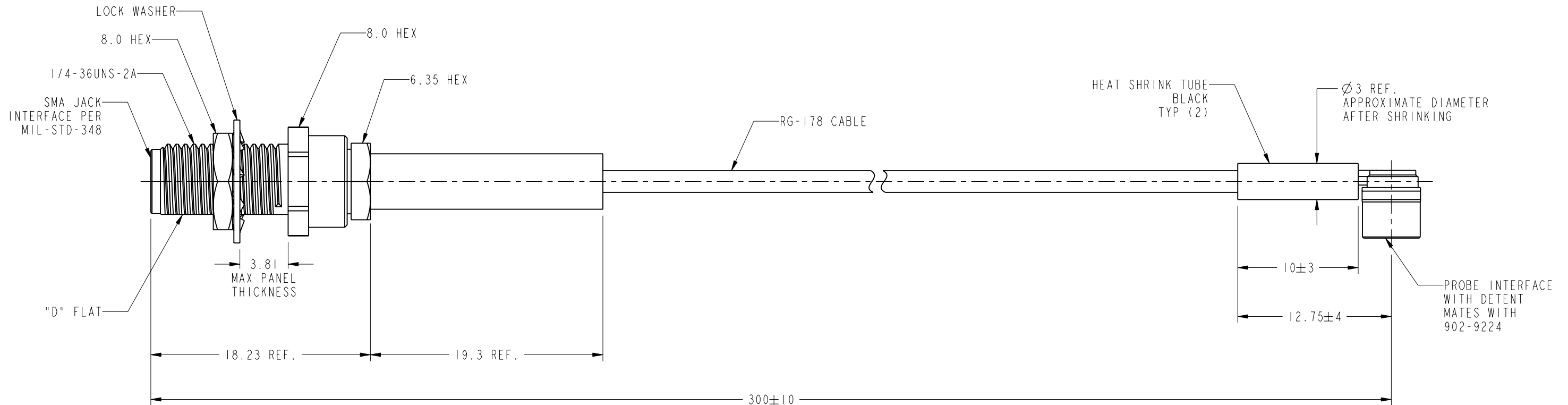
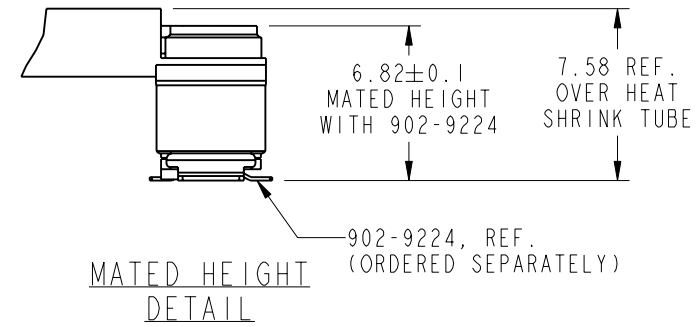
THIRD ANGLE PROJ.

REVISIONS

REV	DESCRIPTION	DATE	ECO	APPR
A	RELEASE TO MFG.	14-Jan-16	50881	JN



SCALE 5.000
RECOMMENDED MOUNTING HOLE DIMENSIONS



CUSTOMER OUTLINE DRAWING
ALL OTHER SHEETS ARE FOR INTERNAL USE ONLY

<p>UNLESS OTHERWISE SPECIFIED, DIMENSIONS ARE IN METRIC AND TOLERANCES ARE: <0.5mm ±0.05mm 0.5 - 6mm ±0.1mm 6 - 30mm ±0.2mm 30 - 120mm ±0.3mm ANGLES ±1°</p> <p>NOTICE - These drawings, specifications, or other data (1) are, and remain the property of Amphenol corp. (2) must be returned upon request; and (3) are confidential and not to be disclosed to any person other than those to whom they are given by Amphenol Corp. the furnishing of these drawings, specifications, or other data by Amphenol Corp., or to any other person to anyone for any purpose is not to be regarded by implication or otherwise in any manner licensing, granting rights to permitting such holder or any other person to manufacture, use or sell any product, process or design, patented or otherwise, that may in any way be related to or disclosed by said drawings, specifications, or other data.</p>	MATERIAL	DRAWN	DATE	TITLE	<p>Amphenol RF www.amphenolrf.com</p>
	SEE NOTES	S.DUAN	14-Jan-16		
	REFERENCE	ENGINEER	DATE	SCALE: 3.0:1.0 SHEET 2 OF 2	
	EAR #6992 & 095-668-45069	J. NERI	29-Oct-15	DWG SIZE B REV A	
FINISH	APPROVED	DATE		DRAWING NO. 95-668-45069-1	
	S.HSIEH	19-Jan-16		ITEM NO. 95-668-45069-1	
	CAD FILE			PART NO. 95-668-45069-1	