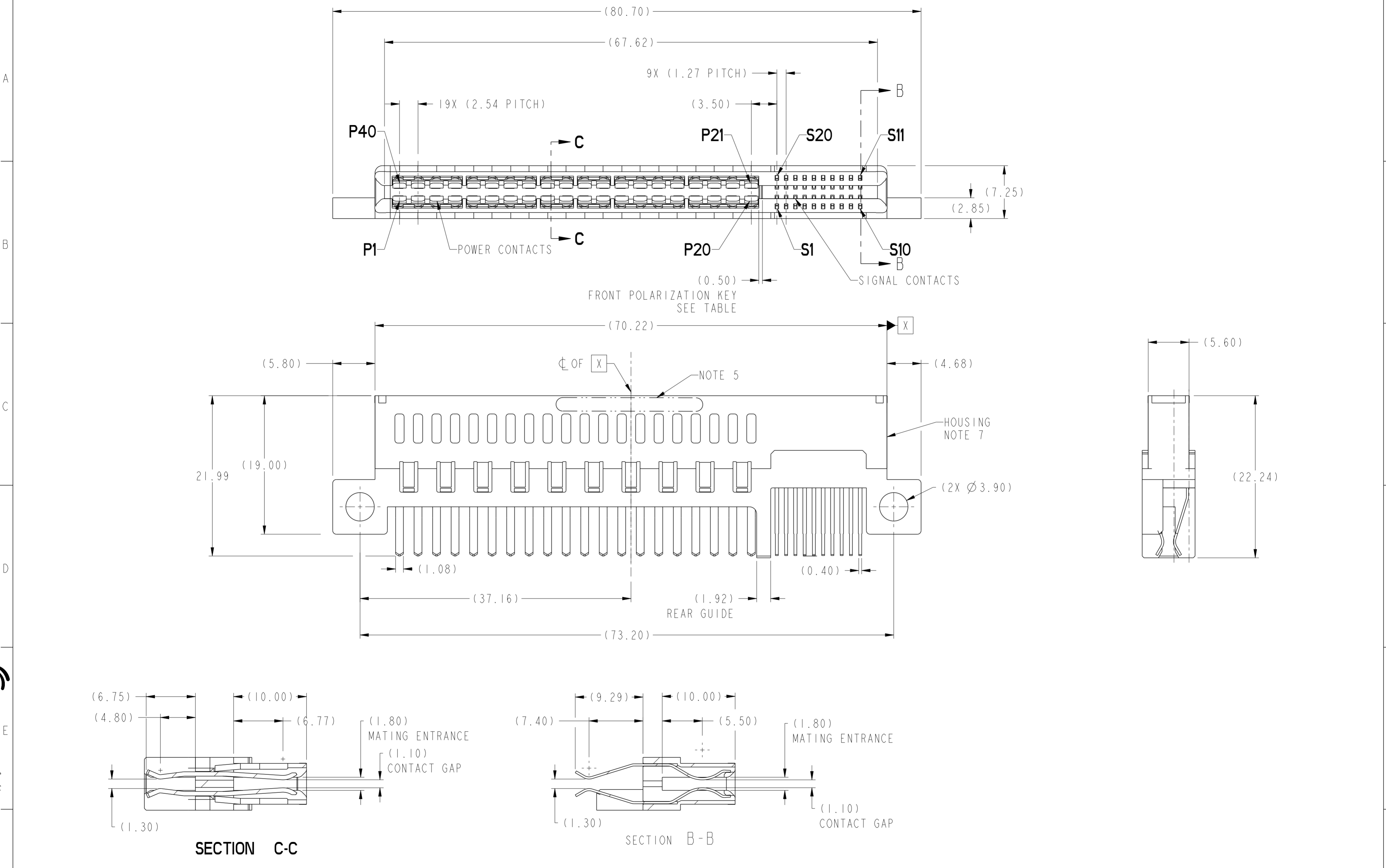


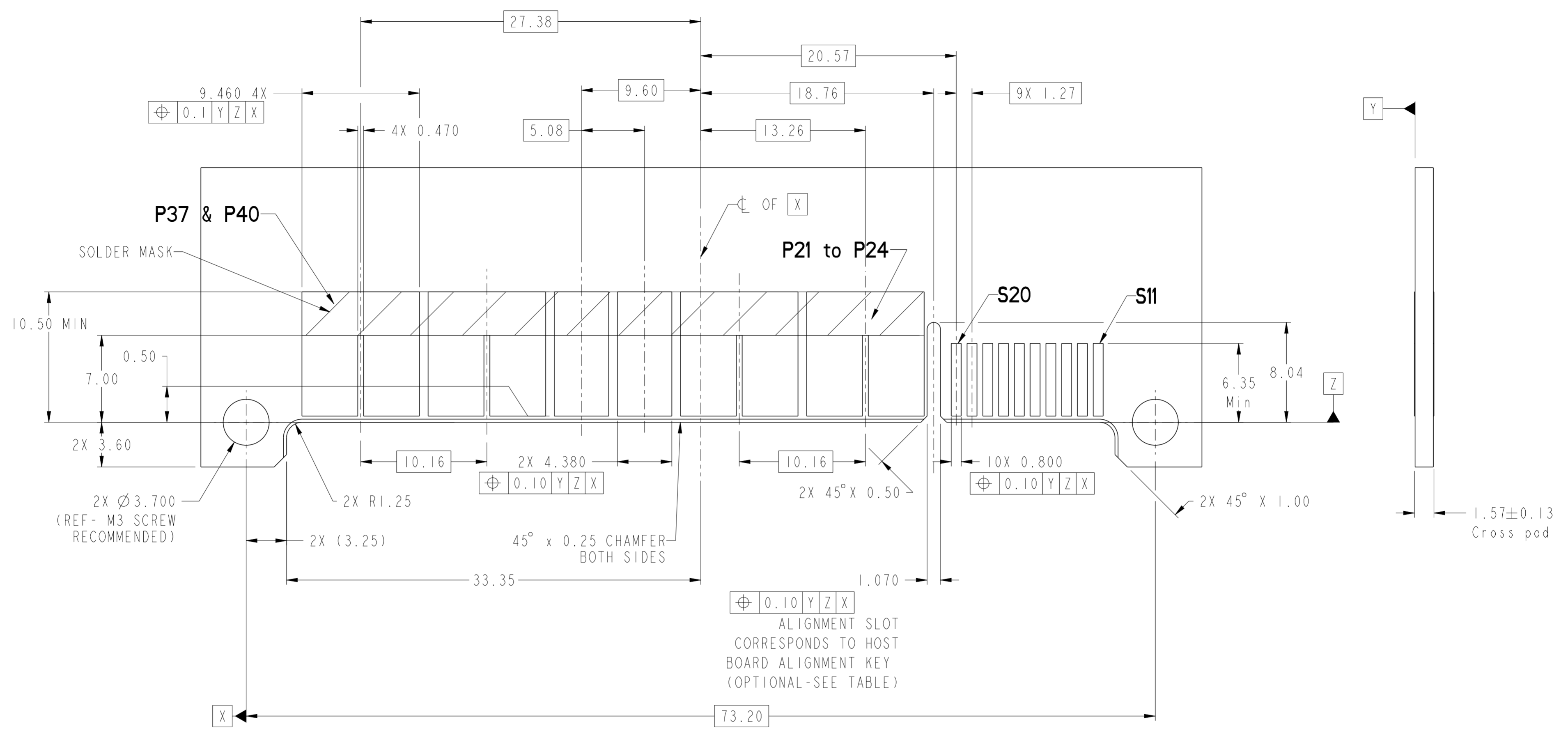
FCI CONFIDENTIAL



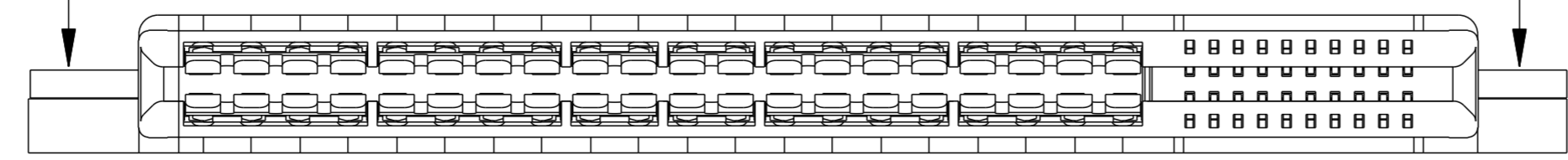
This document is the property of and embodies CONFIDENTIAL and PROPRIETARY information of FCI. No part of the information shown on this document may be used in any way or disclosed to others without the written consent of FCI. Copyright FCI.

| | | | | | | | | | | | | | | | | | | |
|-----|--------|----|------------|--|--|----------------|---|----------------|----------------|---|----------------|------------|------------------------|--------------|-------|-----|--|--|
| rev | ecn no | dr | date | TOLERANCES UNLESS OTHERWISE SPECIFIED linear X, ± 0.X ±0.3 0.XX ±0.10 0.XXX ±0.050 0.XXXX ± angular 0° ±2° | tolerance std ASME Y14.5 surface ASME Y14.5 | material | - | dr | Wei-Long Zhang | 2012/04/27 | projection | MM | size | A2 | scale | 3:1 | | |
| A | | HZ | 2012-05-31 | | | | | mat code | - | eng | Wei-Long Zhang | 2012/05/31 | ⊕ | | | | | |
| - | - | - | - | | | | | heat treat | - | chr | - | - | | | | | | |
| - | - | - | - | | | | | plating/finish | - | appr | Pei-Ming Zheng | 2012/05/31 | | | | | | |
| - | - | - | - | | | | | spec ref | - | | | | | | | | | |
| - | - | - | - | | | | | model name | - | RECEPTACLE (40P-20S) HPCE - (STRADDLE MOUNT) | | | | | | | | |
| - | - | - | - | | | model revision | D | www.fci.com | | | | | | | | | | |
| | | | | | | | | | | | product family | CARD EDGE | rel level | Released | | | | |
| | | | | | | | | | | | cat. no. | | Product - Customer Drw | sheet 1 of 4 | | | | |

FCI CONFIDENTIAL



**RECOMMENDED PCB LAYOUT
AS VIEWED**



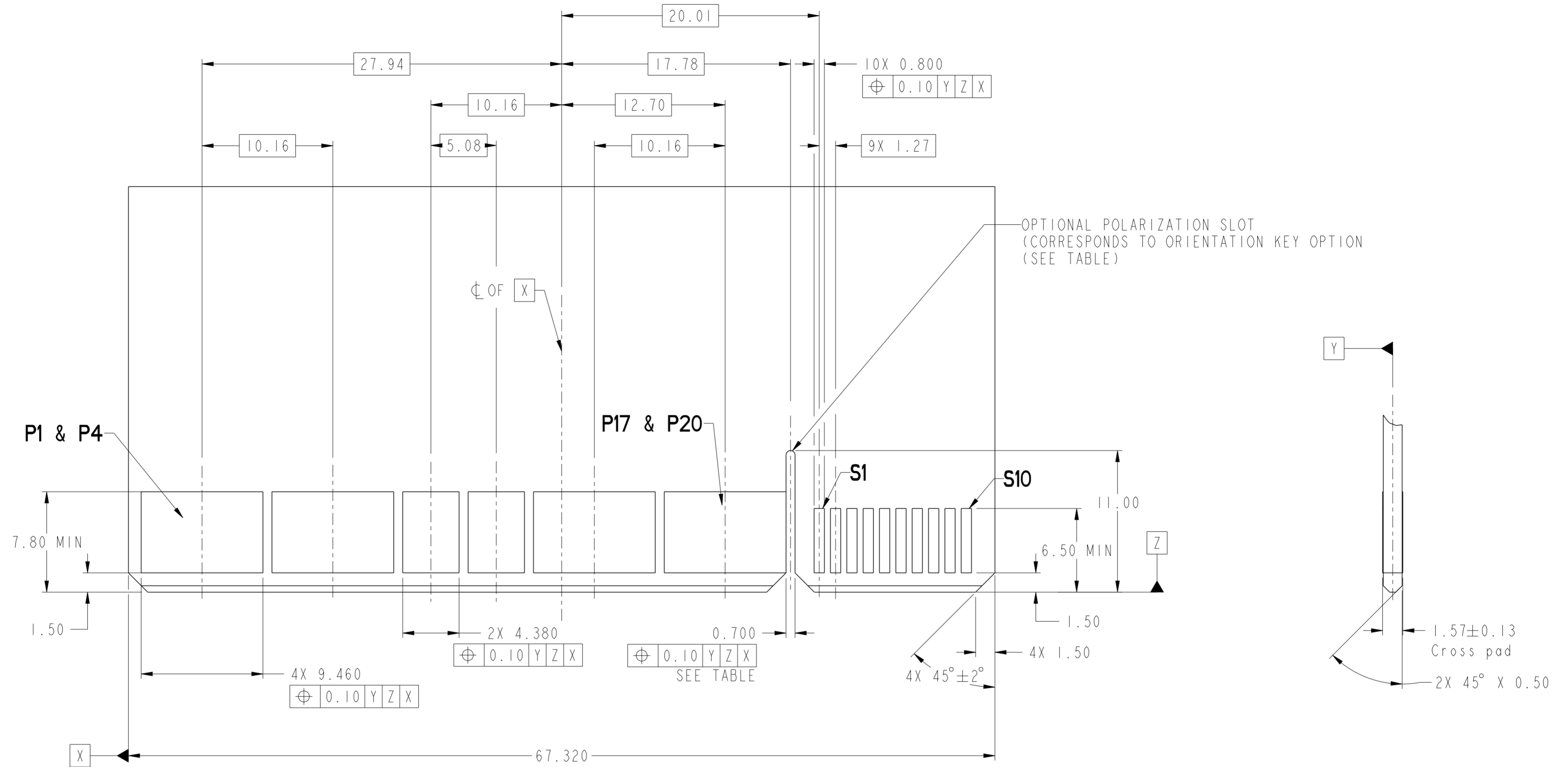
| | | | | | | | | |
|------|----------------|------------|-------------|----|----------------|----------------------|------------------------|--------------|
| dr | Wei-Long Zhang | 2012/04/27 | projection | MM | size | A2 | scale | 3:1 |
| eng | Wei-Long Zhang | 2012/05/31 | | | ecn no | - | rel level | Released |
| chr | - | - | | | product family | CARD EDGE | | |
| appr | Pei-Ming Zheng | 2012/05/31 | | | title | RECEPTACLE (40P-20S) | | rev |
| | | | www.fci.com | | cat. no. | - | Product - Customer Drw | sheet 2 of 4 |

PDS: Rev :A

STATUS:Released

Printed: May 31, 2012

This document is the property of and embodies CONFIDENTIAL and PROPRIETARY information of FCI. No part of the information shown on this document may be used in any way or disclosed to others without the written consent of FCI. Copyright FCI.



RECOMMENDED MATING BOARD FOOTPRINT

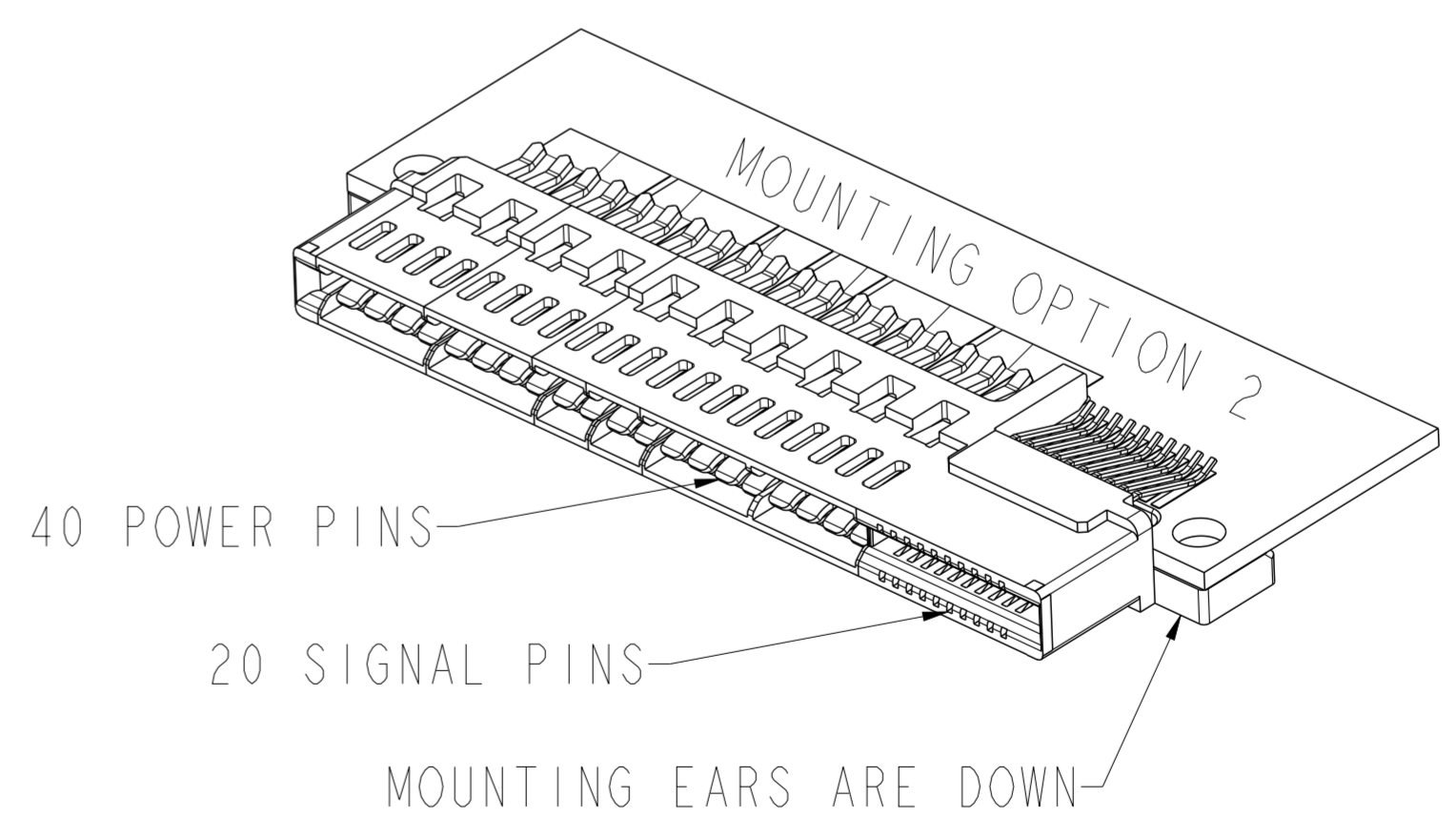
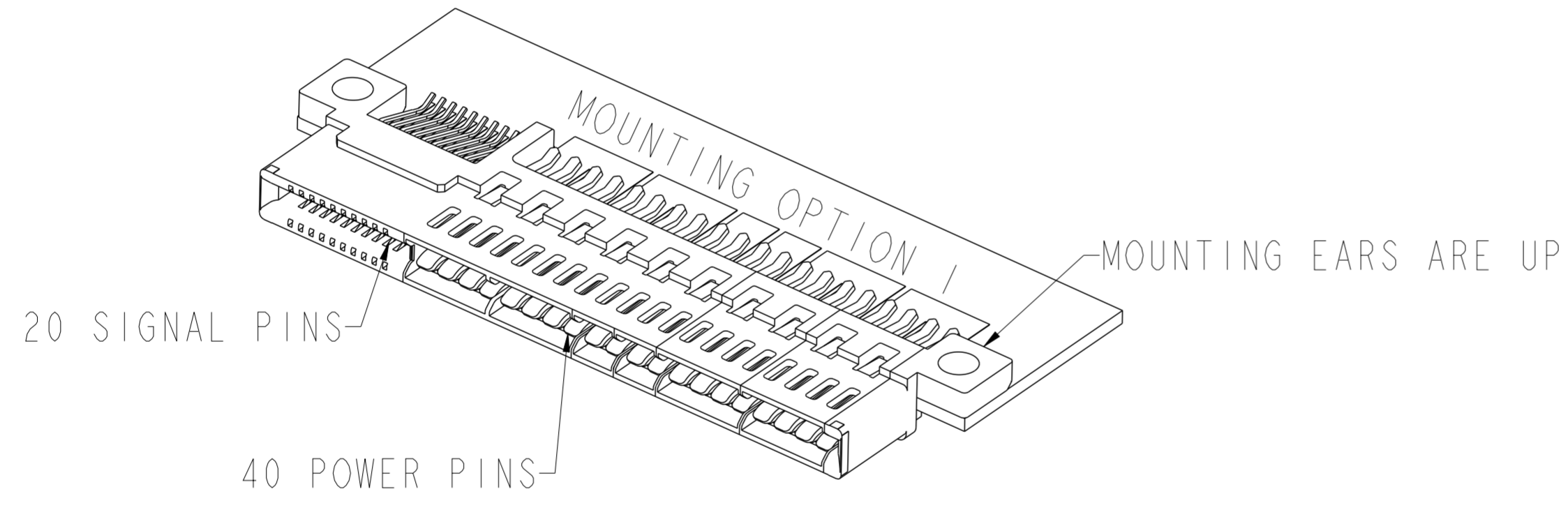
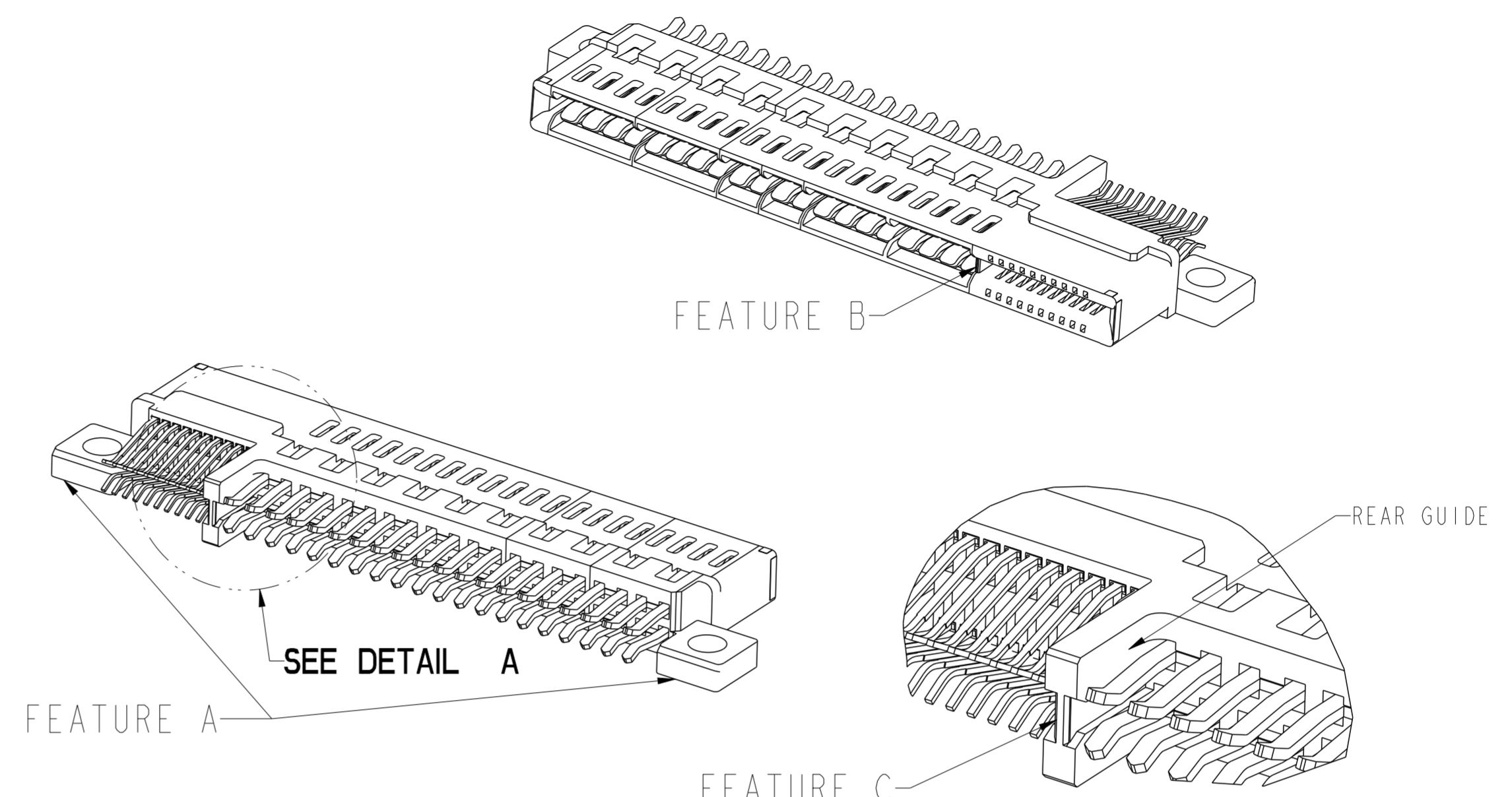
This document is the property of and embodies CONFIDENTIAL and PROPRIETARY information of FCI. No part of the information shown on this document may be used in any way or disclosed to others without the written consent of FCI. Copyright FCI.



| | | | | | | | | |
|-------------|----------------|---|------------------------|-----------|-----------------|--------------|-----------|----------|
| dr | Wei-Long Zhang | 2012/04/27 | projection | MM | size | A2 | scale | 4:1 |
| eng | Wei-Long Zhang | 2012/05/31 | | | ecn no | - | rel level | Released |
| chr | - | - | | | | | | |
| appr | Pai-Ming Zheng | 2012/05/31 | product family | CARD EDGE | | | | |
| | | title RECEPTACLE (40P-20S) HPCE - (STRADDLE MOUNT) | | | dwg no 10120911 | rev A | | |
| www.fci.com | | cat. no. | Product - Customer Drw | | | sheet 3 of 4 | | |

FCI CONFIDENTIAL

| PART NUMBER | FEATURE C HOST BOARD ALIGNMENT KEY (SEE NOTE 8) | FEATURE A MOUNTING EARS | FEATURE B FRONT POLARIZATION KEY |
|----------------|--|----------------------------|---|
| 10120911-001LF | YES | YES | NO |
| 10120911-002LF | | YES | YES |
| 10120911-003LF | | NO | NO |
| 10120911-004LF | | NO | YES |
| 10120911-005LF | NO | YES | NO |
| 10120911-006LF | | YES | YES |
| 10120911-007LF | | NO | NO |
| 10120911-008LF | | NO | YES |



- NOTES:
- CONNECTOR MATERIALS:
HOUSING: HIGH TEMPERATURE THERMAL PLASTIC, BLACK
UL 94V-0 COMPLIANT
CONTACTS: HIGH PERFORMANCE COPPER ALLOY.
 - CONTACT FINISH REF. GS-12-604 SECTION 5.2.
 - PRODUCT SPECIFICATION: GS-12-604.
 - APPLICATION SPECIFICATION: GS-20-128.
 - PRODUCT MARKING (FCI - PART NUMBER & DATE CODE) ON HOUSING IN AREA SHOWN.
 - PACKAGING MEETS FCI SPECIFICATION GS-14-937.
 - HOUSING COMPONENT WILL WITHSTAND EXPOSURE TO 260°C PEAK TEMPERATURE FOR 60 SECONDS IN A CONVECTION, INFRA-RED, OR VAPOR PHASE REFLOW OVEN.
 - HOST BOARD ALIGNMENT KEY IS RECOMMENDED TO ENSURE PROPER ALIGNMENT OF SOLDER TAILS WITH HOST BOARD PADS.

| | | | | | | | | |
|-------------|----------------|------------|------------|----|------------------------|-----------|--------------|----------|
| dr | Wei-Long Zhang | 2012/04/27 | projection | MM | size | A2 | scale | 4:1 |
| eng | Wei-Long Zhang | 2012/05/31 | | | ecn no | - | rel level | Released |
| chr | - | - | | | product family | CARD EDGE | | |
| appr | Pei-Ming Zheng | 2012/05/31 | | | dwg no | 10120911 | rev | A |
| www.fci.com | | | cat. no. | | Product - Customer Drw | | sheet 4 of 4 | |

This document is the property of and embodies CONFIDENTIAL and PROPRIETARY information of FCI. No part of the information shown on this document may be used in any way or disclosed to others without the written consent of FCI. Copyright FCI.