

vs. STX-3150-xN

All terminals:
Phosphor
Bronze silver
plated

Materials and Finish

Housing: PBT Thermoplastic
UL 94V-0 Rated, Black Color

Contact Material:

Pin #1: Brass, Matte Tin Plated

Pin #2 and Pin #4:
Phosphor Bronze, Matte
Tin Plated

Pin #3 and Pin #5:
Brass, Matte Tin Plated

Switch Contacts:
Brass, Matte Tin Plated

Electrical Characteristics

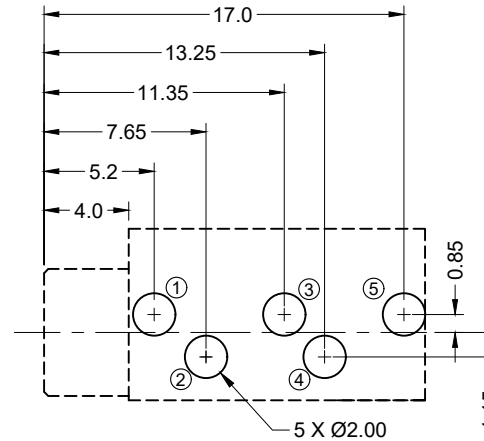
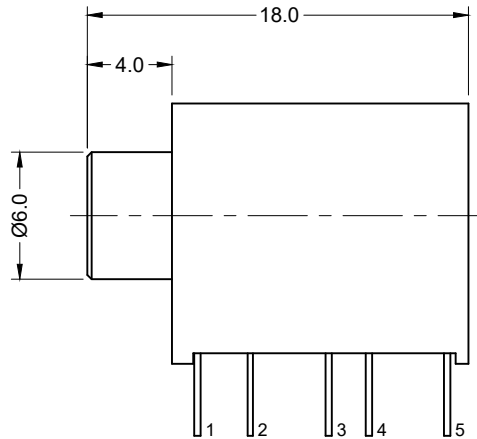
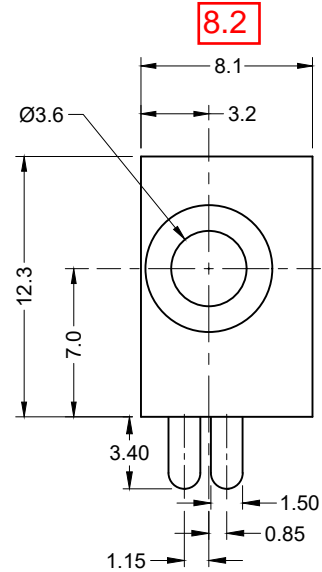
Insulation Resistance:
100 Megohms at 500V DC

Contact Resistance:
50 milliohms Max.

Dielectric Withstanding Voltage:
500V AC RMS for 1 Minute

Mechanical Characteristics

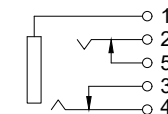
Insertion Force: 0.3kg - 3.0kg
Withdrawal Force: 0.3kg - 3.0kg
Durability: 5000 Mating Cycles Min.
Operating Temperature:
-25°C to +85°C



PCB LAYOUT
(BOTTOM VIEW)

30

Schematic



Tolerances

X.X ± 0.30
X.XX ± 0.15
Unless Stated
Otherwise

RoHS COMPLIANT



REV.	DATE	DESCRIPTION	REV. BY	CHK. BY	DRAWN BY	DATE
A0	03/29/18	New Drawing	G. Serrato	C. Furumasa	G. Serrato	03/29/18
A1	11/07/18	Release Drawing DC18-009	D. Shehan	C. Kelleher		

STX-3150-5N-1

Stereo Jack, Straight Black Cover,

5 pos, RoHS Compliant

