

THIS DRAWING IS UNPUBLISHED.

RELEASED FOR PUBLICATION

2011

LOC 1

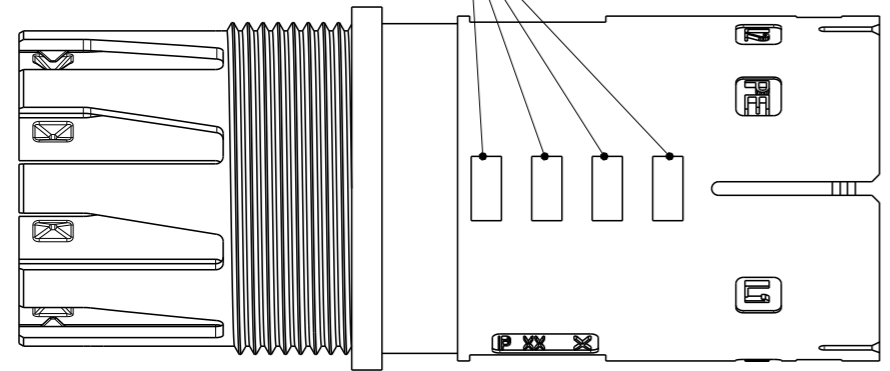
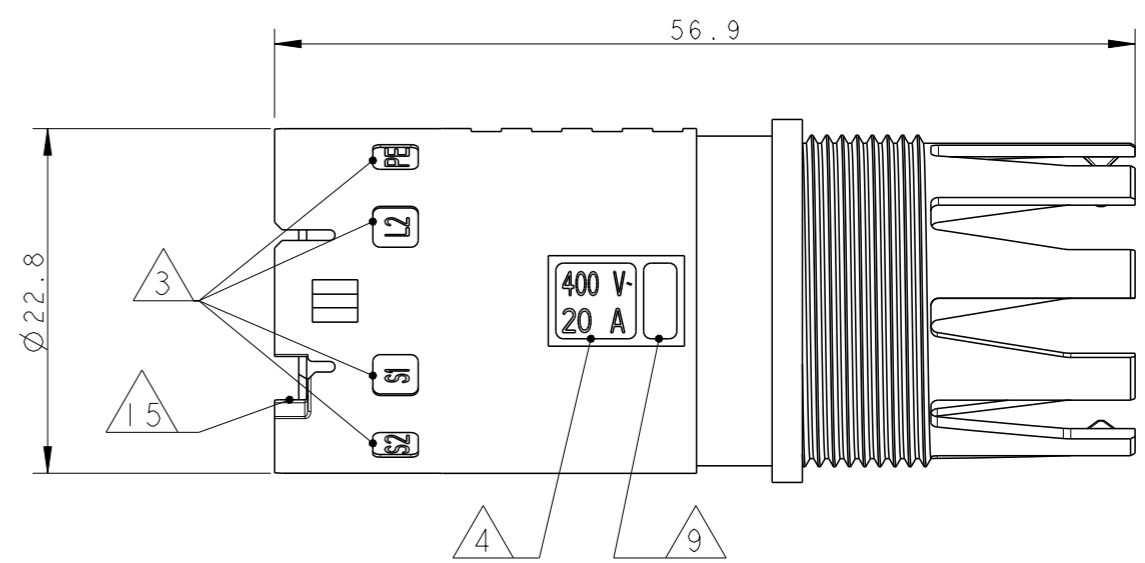
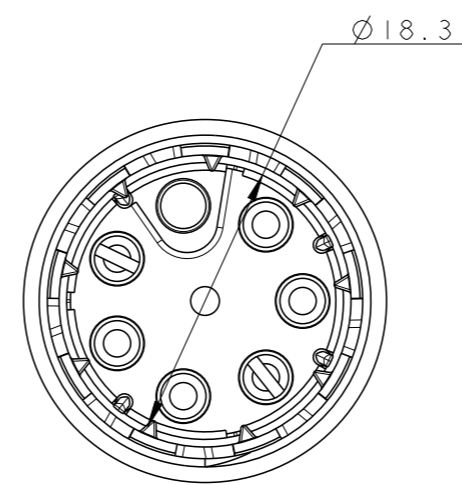
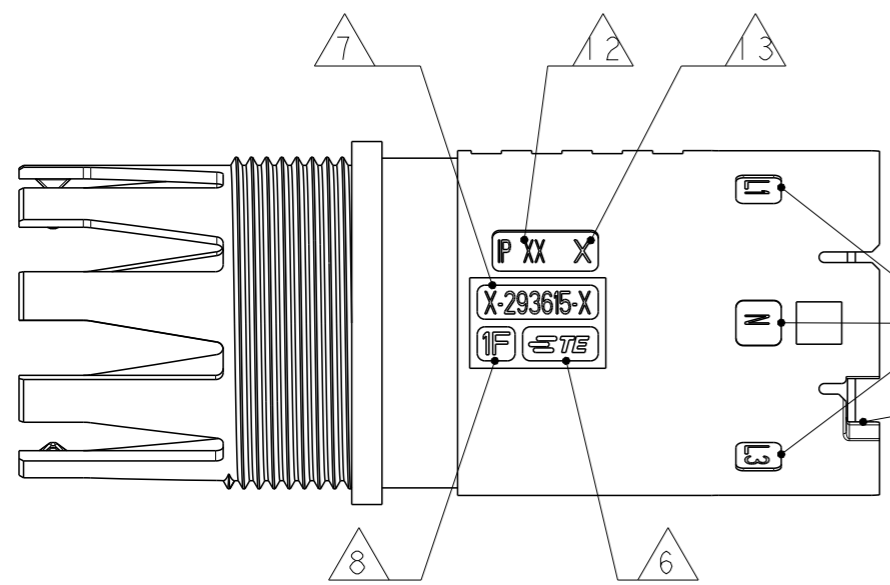
DIST -

REVISIONS

© COPYRIGHT 2011

ALL RIGHTS RESERVED.

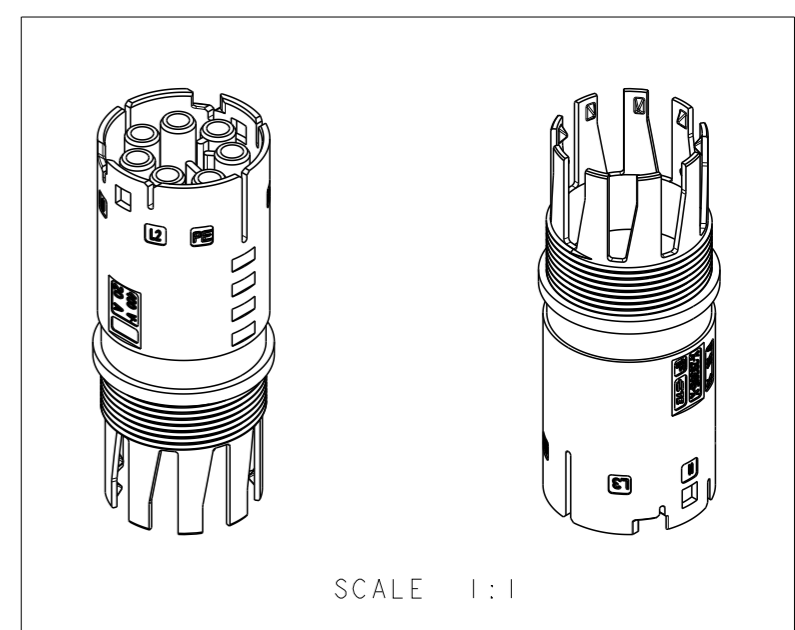
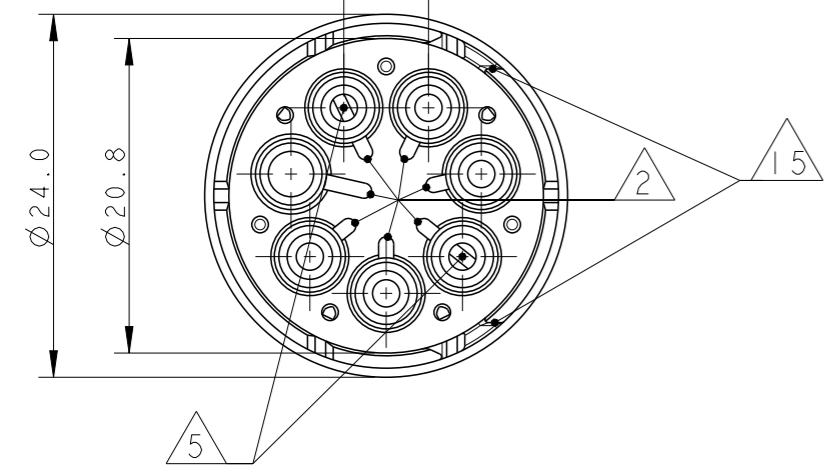
| P | LTR | DESCRIPTION                   | DATE      | DWN | APVD |
|---|-----|-------------------------------|-----------|-----|------|
| 3 |     | UPDATED                       | 20MAY2011 | AB  | GT   |
| 4 |     | REVISED                       | 02MAY2013 | KR  | JC   |
| 5 |     | UPDATED                       | 18JUL2013 | MZ  | JC   |
| A |     | PARTS RELEASED FOR PRODUCTION | 12NOV2013 | MZ  | JC   |




NOTES:

- 1 MATERIAL: PA GF (NATURAL AND BLACK COLOUR)
  - 2 ALL POLARIZATION KEYS SHOWN FOR REF ONLY
  - 3 WAYS I.D.
  - 4 VOLTAGE AND CURRENT RATINGS
  - 5 RIB CLOSING CAVITIES BY CHANGE OVER
  - 6 TE LOGO
  - 7 TE PART NUMBER
  - 8 DATA CODE
  - 9 AREA FOR AGENCIES APPROVAL LOGO
  - 10 VISUAL INDOCATOR FOR PE CONDUCTOR
- 11) SEE C-DRAWING 293682 (LOCKING CAP) TO GET IP 40
- 12 IP CODE
  - 13 CAVITY I.D.
  - 14 POLARISATION KEY "TYPE D" SUITABLE FOR DALI APPLICATION
  - 15 SLOTS TO ALLOW DELATCHING OPERATION. FOR DELATCHING TOOL AND OPERATION REFER TO APPLICATION SPEC.

5.60 PITCH (TYP X7)



|   |  |                         |  |                 |  |
|---|--|-------------------------|--|-----------------|--|
| THIS DRAWING IS A CONTROLLED DOCUMENT.                                      |  | DWN M. ZUCCA 31MAR2011  |  <b>TE Connectivity</b> |                 |  |
| DIMENSIONS: mm  |  | CHK M. ZUCCA 31MAR2011  |  |                 | NAME<br>SOCKET HOUSING FREE HANGING<br>NECTOR M-LINE 5 POLES<br>UNSEALED VERSION |
| TOLERANCES UNLESS OTHERWISE SPECIFIED:                                      |  | APVD G. TURCO 31MAR2011 |  |                 |  |
| 0 PLC ±-<br>1 PLC ±0.3<br>2 PLC ±0.20<br>3 PLC ±-<br>4 PLC ±-<br>ANGLES ±3° |  | PRODUCT SPEC -          |  |                 |  |
| MATERIAL NOTE 1   |  | FINISH -                | APPLICATION SPEC -   | RESTRICTED TO - |  |
|   |  | WEIGHT -                | SIZE A3  | CAGE CODE 00779 |  |
|   |  |                         | DRAWING NO C-293615  | REV A           |  |
|   |  | Customer Drawing        | SCALE 2:1  | SHEET 1 OF 2    |  |

THIS DRAWING IS UNPUBLISHED.

RELEASED FOR PUBLICATION

2011

© COPYRIGHT 2011

ALL RIGHTS RESERVED.

LOC

DIST

REVISIONS

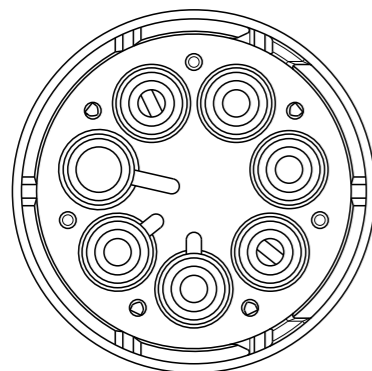
| P | LTR | DESCRIPTION | DATE | DWN | APVD |
|---|-----|-------------|------|-----|------|
| - |     | SEE SHEET 1 | -    | -   | -    |
|   |     |             |      |     |      |
|   |     |             |      |     |      |

POLARIZATION TYPES

POLARIZATION TYPE "A"

POLARIZATION TYPE "B"

POLARIZATION TYPE "C"



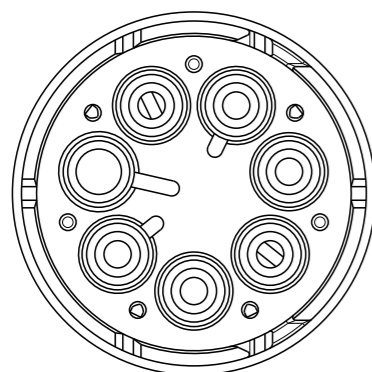
PNs 0-293615-1  
AND 1-293615-1

PNs 0-293615-2  
AND 1-293615-2

PNs 0-293615-3  
AND 1-293615-3

POLARIZATION TYPE "D"

POLARIZATION TYPE "E"



PNs 0-293615-4  
AND 1-293615-4

PNs 0-293615-5  
AND 1-293615-5

| KEYING | POL. KEYING | COLOUR  | DESCRIPTION                                      | REV. | PART NUMBER |
|--------|-------------|---------|--|------|-------------|
|        | E           | BLACK   | SOCKET HOUSING FREE HANG. NECTOR* M-LINE 5 POLES | A    | 1-293615-5  |
|        | D           | BLACK   | SOCKET HOUSING FREE HANG. NECTOR* M-LINE 5 POLES | A    | 1-293615-4  |
|        | C           | BLACK   | SOCKET HOUSING FREE HANG. NECTOR* M-LINE 5 POLES | A    | 1-293615-3  |
|        | B           | BLACK   | SOCKET HOUSING FREE HANG. NECTOR* M-LINE 5 POLES | A    | 1-293615-2  |
|        | A           | BLACK   | SOCKET HOUSING FREE HANG. NECTOR* M-LINE 5 POLES | A    | 1-293615-1  |
|        | E           | NATURAL | SOCKET HOUSING FREE HANG. NECTOR* M-LINE 5 POLES | A    | 0-293615-5  |
|        | D           | NATURAL | SOCKET HOUSING FREE HANG. NECTOR* M-LINE 5 POLES | A    | 0-293615-4  |
|        | C           | NATURAL | SOCKET HOUSING FREE HANG. NECTOR* M-LINE 5 POLES | A    | 0-293615-3  |
|        | B           | NATURAL | SOCKET HOUSING FREE HANG. NECTOR* M-LINE 5 POLES | A    | 0-293615-2  |
|        | A           | NATURAL | SOCKET HOUSING FREE HANG. NECTOR* M-LINE 5 POLES | A    | 0-293615-1  |



THIS DRAWING IS A CONTROLLED DOCUMENT.

DWN M. ZUCCA 31MAR2011

CHK M. ZUCCA 31MAR2011

APVD G. TURCO 31MAR2011

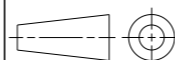
PRODUCT SPEC

APPLICATION SPEC

WEIGHT

Customer Drawing

DIMENSIONS:  
mm



TOLERANCES UNLESS OTHERWISE SPECIFIED:

|        |       |
|--------|-------|
| 0 PLC  | ±     |
| 1 PLC  | ±0.3  |
| 2 PLC  | ±0.20 |
| 3 PLC  | ±     |
| 4 PLC  | ±     |
| ANGLES | ±3°   |

MATERIAL NOTE 1

FINISH



NAME  
SOCKET HOUSING FREE HANGING  
NECTOR M-LINE 5 POLES  
UNSEALED VERSION

SIZE CAGE CODE DRAWING NO RESTRICTED TO

A300779 C-293615

SCALE 2:1 SHEET 2 OF 2 REV A