

**CUSTOMER DRAWING**

<b>CATALOG # 1CUFS1</b>		
ECN #	APPRVD.	DATE
17-001881	JB	10FEB17

**SAFETY ORGANIZATIONS**

THIS FILTER HAS BEEN FORMALLY RECOGNIZED, CERTIFIED OR APPROVED BY THE LISTED AGENCY. THEREFORE, ALL TEST/REQUIREMENTS SPECIFIED IN THE LATEST REVISION OF THE FOLLOWING AGENCY STANDARDS HAVE BEEN MET:

UL RECOGNIZED: UL 1283  
 CSA CERTIFIED: CSA C22.2, # 8  
 VDE APPROVED: EN 60939-2

**OPERATING SPECIFICATIONS**

LINE CURRENT/VOLTAGE: 1 AMP, 120/250 VAC,  
 1 AMP/40°C, 250 VAC

LINE FREQUENCY: 50-60Hz

MAXIMUM LEAKAGE CURRENT,  
 EACH LINE TO GROUND: 0.25 mA @ 120V 60Hz  
 0.40 mA @ 250V 50Hz

OPERATING AMBIENT TEMP. RANGE: -10°C TO +40°C @ RATED CURRENT, I<sub>r</sub>.

IN AN AMBIENT, T<sub>a</sub>, HIGHER THAN 40°C, THE MAXIMUM OPERATING CURRENT, I<sub>o</sub>, IS AS FOLLOWS:

$$I_o = I_r \sqrt{\frac{85 - T_a}{45}}$$

**RELIABILITY SPECIFICATIONS:**

STORAGE TEMPERATURE: -40°C TO +85°C  
 HUMIDITY: 21 DAYS @ 40°C 95% RH,  
 CURRENT OVERLOAD TEST: 6 TIMES I<sub>r</sub> FOR  
 8 SECONDS

**TEST SPECIFICATIONS:**

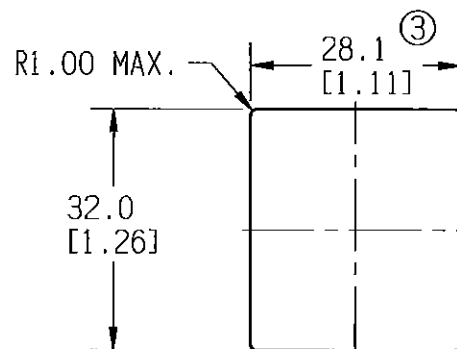
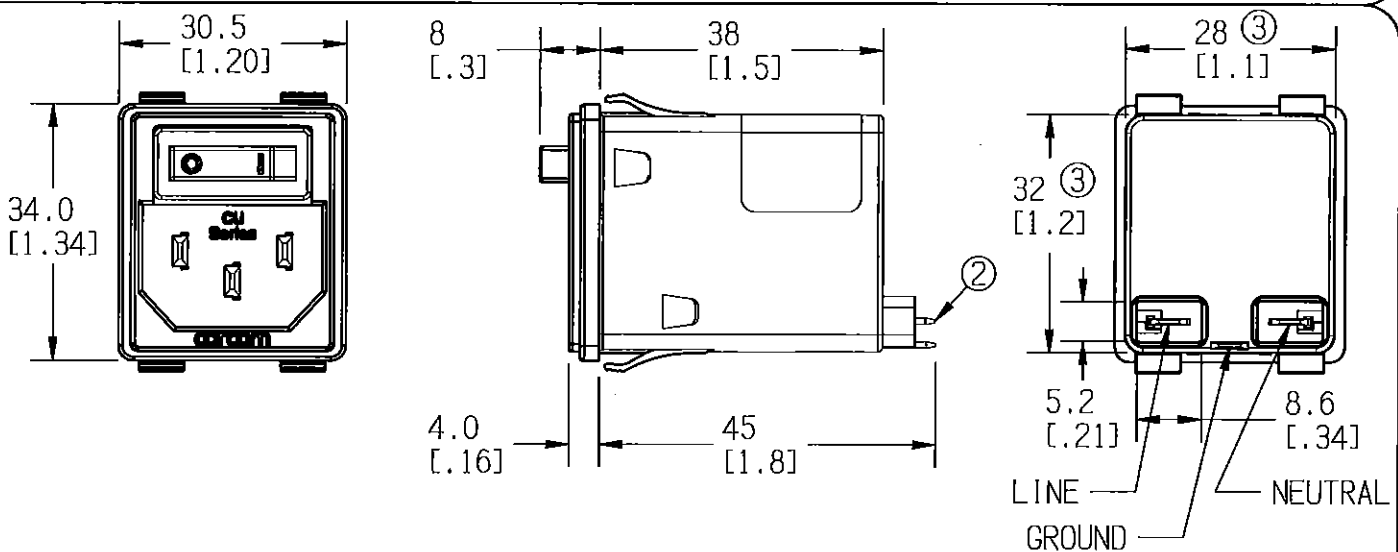
INDUCTANCE: 4.06 mH NOMINAL  
 CAPACITANCE: (MEASURED @ 1KHz, 0.250VAC MAX., 25°C±1°C)  
 LINE TO GROUND: 0.0028 µF ±20%  
 LINE TO LINE: 0.1000 µF ±20%  
 DISCHARGE RESISTOR: 3.3 MΩ  
 L/S AND L/L I.R.  
 NO DISCHARGE RESISTOR: 6000MΩ (MIN.) @ 100VDC,  
 20°C AND 50% RH

**RECOMMENDED RECEIVING INSPECTION HIPOT:**

LINE TO GROUND: 1500 VAC FOR 1 MINUTE  
 LINE TO LINE: 1450 VDC FOR 1 MINUTE

**FILTER APPROVAL:**

THE BEST WAY TO SELECT AND QUALIFY A FILTER IS FOR YOUR ENGINEERING TO TEST THE UNIT IN YOUR EQUIPMENT.



RECOMMENDED PANEL CUTOUT ±0.1 MM THICKNESS: 0.63-2.1 MM

**NOTES:**

1. SOCKET COMPLIES WITH EN 60320-1.
2. LOAD TERMINALS COMPLY WITH DIN 46244, 4.8MM X 0.8MM.
3. DIMENSION APPLIES AT LABEL ONLY. FORCE REQUIRED FOR INSTALLATION.

50 Ω - 50 Ω (MINIMUM) INSERTION LOSS										PARTS SHALL COMPLY WITH TYCO ELECTRONICS 230-702 SPECIFICATION FOR HAZARDOUS SUBSTANCES																																																																					
<table border="1"> <tr> <th>FREQUENCY kHz</th> <td>.05</td><td>.15</td><td>.5</td><td>1</td><td>5</td><td>10</td><td>30</td><td>/</td><td>/</td><td>/</td><td>/</td><td>/</td><td>/</td><td>/</td><td>/</td><td>/</td><td>/</td><td>/</td><td>/</td> </tr> <tr> <th>COEFFICIENT dB</th> <td>19</td><td>30</td><td>44</td><td>49</td><td>47</td><td>44</td><td>45</td><td>/</td><td>/</td><td>/</td><td>/</td><td>/</td><td>/</td><td>/</td><td>/</td><td>/</td><td>/</td><td>/</td><td>/</td> </tr> <tr> <th>DIFF. dB</th> <td>1</td><td>10</td><td>21</td><td>26</td><td>48</td><td>51</td><td>60</td><td>/</td><td>/</td><td>/</td><td>/</td><td>/</td><td>/</td><td>/</td><td>/</td><td>/</td><td>/</td><td>/</td><td>/</td> </tr> </table>										FREQUENCY kHz	.05	.15	.5	1	5	10	30	/	/	/	/	/	/	/	/	/	/	/	/	COEFFICIENT dB	19	30	44	49	47	44	45	/	/	/	/	/	/	/	/	/	/	/	/	DIFF. dB	1	10	21	26	48	51	60	/	/	/	/	/	/	/	/	/	/	/	/	UNLESS OTHERWISE SPECIFIED TOLERANCE TO BE ±0.5 MM MATERIAL & FINISH: AS SUPPLIED									
FREQUENCY kHz	.05	.15	.5	1	5	10	30	/	/	/	/	/	/	/	/	/	/	/	/																																																												
COEFFICIENT dB	19	30	44	49	47	44	45	/	/	/	/	/	/	/	/	/	/	/	/																																																												
DIFF. dB	1	10	21	26	48	51	60	/	/	/	/	/	/	/	/	/	/	/	/																																																												
DIMENSIONS ARE: MILLIMETER (INCH)										<p>POWER LINE FILTER</p>																																																																					
TYCO ELECTRONICS PART NO. 2-1609113-7										<table border="1"> <tr> <td>SCALE: 1:1</td> <td>DATE: 30DEC08</td> <td>DRAWING NUMBER: 1CUFS1</td> <td>REV. 3</td> </tr> <tr> <td>DRW. BY: EC</td> <td>TRIG: EC</td> <td></td> <td></td> </tr> </table>										SCALE: 1:1	DATE: 30DEC08	DRAWING NUMBER: 1CUFS1	REV. 3	DRW. BY: EC	TRIG: EC																																																						
SCALE: 1:1	DATE: 30DEC08	DRAWING NUMBER: 1CUFS1	REV. 3																																																																												
DRW. BY: EC	TRIG: EC																																																																														
<p>THIS INFORMATION IS CONFIDENTIAL AND PROPRIETARY TO TYCO ELECTRONICS CORPORATION AND ITS WORLDWIDE SUBSIDIARIES AND AFFILIATES. IT MAY NOT BE DISCLOSED TO ANYONE OTHER THAN TYCO ELECTRONICS PERSONNEL, WITHOUT WRITTEN AUTHORIZATION FROM TYCO ELECTRONICS CORPORATION, HARRISBURG, PENNSYLVANIA USA.</p>										<p>CVM AVAILABLE YES NO X</p> <p>Dr\KeyCreator Director\es\00 1CUFS103.cxd</p>																																																																					