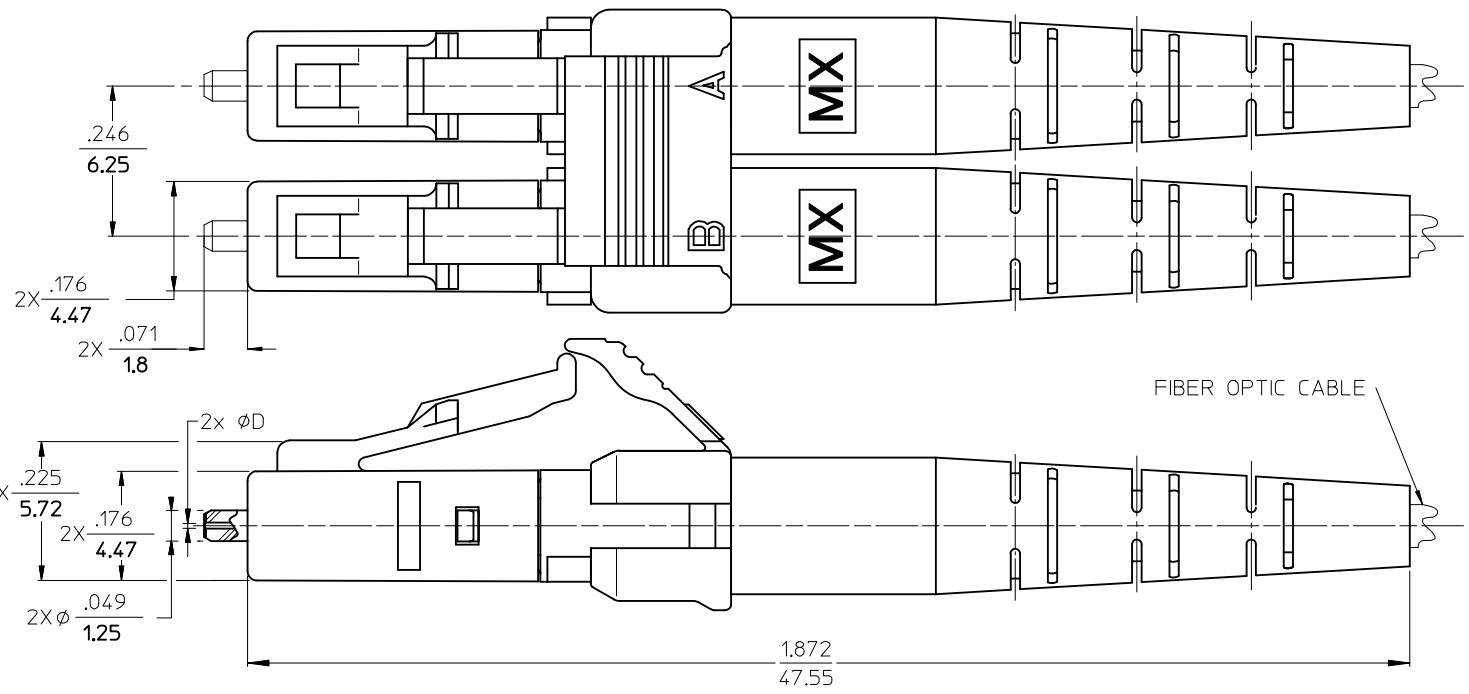
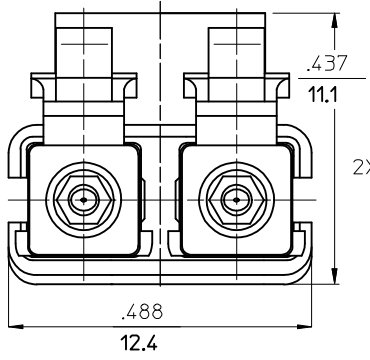


10	9	8	7
CONNECTOR P/N	ØD (4m)	CONNECTOR BODY AND BOOT COLOR	CABLE DESCRIPTION AND Ø (mm)
106090-2810	125.5	GREEN	SIMPLEX 2.0
106090-6300	125.25		ZIPCORD 1.6
106090-2830	125.5		SIMPLEX 1.6
106090-6330	125.25		

6	5	4	3	2	1
CABLE TYPE					
SINGLE MODE					

(DUST CAPS NOT SHOWN)



<b>ENTER DESCRIPTION</b> EC NO: MF2006-0159 DRAWN: PGIBLIN 2005/10/14 CHKD: 2005/10/14 APPR: LGUMIN 2005/10/24 A	<b>QUALITY SYMBOLS</b> Ra=0 Chamfered	<b>GENERAL TOLERANCES (UNLESS SPECIFIED)</b>		<b>DIMENSION STYLE</b> IN/MM		SCALE <b>8:1</b>	DESIGN UNITS INCH	<b>THIRD ANGLE PROJECTION</b>		
		4 PLACES	± ---	± ---	DRAWN BY	DATE	TITLE <b>LC APC DUPLEX CONNECTOR</b>			
		3 PLACES	± ---	± ---	PGIBLIN	2005/09/29				
		2 PLACES	± ---	± ---	CHECKED BY	DATE	APPROVED BY <b>MOLEX INCORPORATED</b>			
		1 PLACE	± ---	± ---						
ANGULAR ±1/2°		DRAFT WHERE APPLICABLE MUST REMAIN WITHIN DIMENSIONS		MATERIAL NO. <b>SEE TABLE</b>		DOCUMENT NO. <b>SD-106090-MMM0</b>		SHEET NO. <b>1 OF 01</b>		