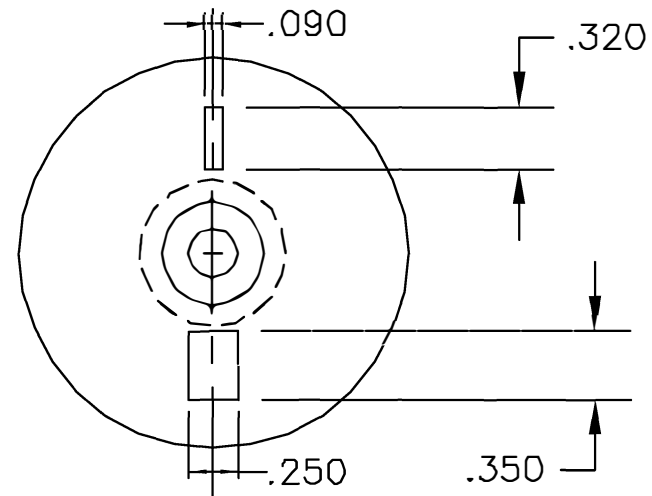
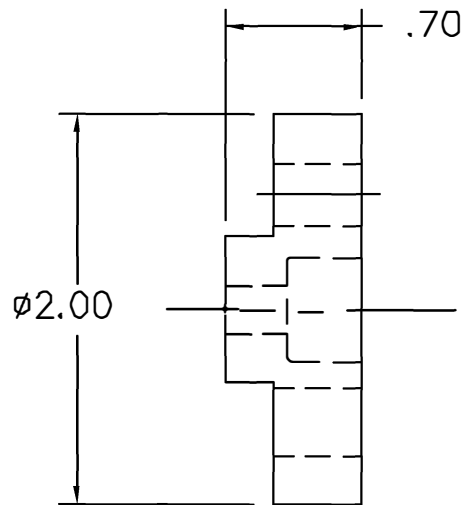


**UNCONTROLLED DOCUMENT
WILL NOT BE UPDATED**

REVISIONS

REV. SYM.	E.C.O. NUMBER	DESCRIPTION	BY DATE	APP'D DATE
1		ORIGINAL RELEASE	JWJ 10/8/01	RRR 10/8/01



RESTRICTED & CONFIDENTIAL

CONFIDENTIAL PROPERTY OF DANIELS MANUFACTURING CORP. NOT TO BE DISCLOSED TO OTHERS, REPRODUCED OR USED FOR ANY OTHER PURPOSE, EXCEPT AS AUTHORIZED IN WRITING BY DANIELS MANUFACTURING. MUST BE RETURNED TO DANIELS MANUFACTURING CORP. ON COMPLETION OF ORDER OR OTHER PURPOSE FOR WHICH LENT.

DO NOT SCALE DRAWING

MATERIAL

HEAT TREAT

FINISH

ITEM	PART NO.	QTY.	DESCRIPTION/REMARKS
DRN. J. JOYCE	DATE 10/8/01	DMC	DANIELS MANUFACTURING CORP. ORLANDO, FLORIDA CAGE 11851
CHK'D. RRR	DATE 10/8/01		
APP'D.	DATE	TITLE RIGHT ANGLE TERMINAL GRIP ENVELOPE DRAWING	
APP'D.	DATE	WHERE USED:	
	SIZE A	SCALE FULL	CAD P/N 15-3042-ENV
	POSTING	P/N 15-3042-ENV	SHEET OF 1 1
			REV. 1