

SIGN	DATE	DESCRIPTION	APPROVER
△	09/23`14	Added cULus standard	Airy min
△	09/23`14	update the drawing	Airy min

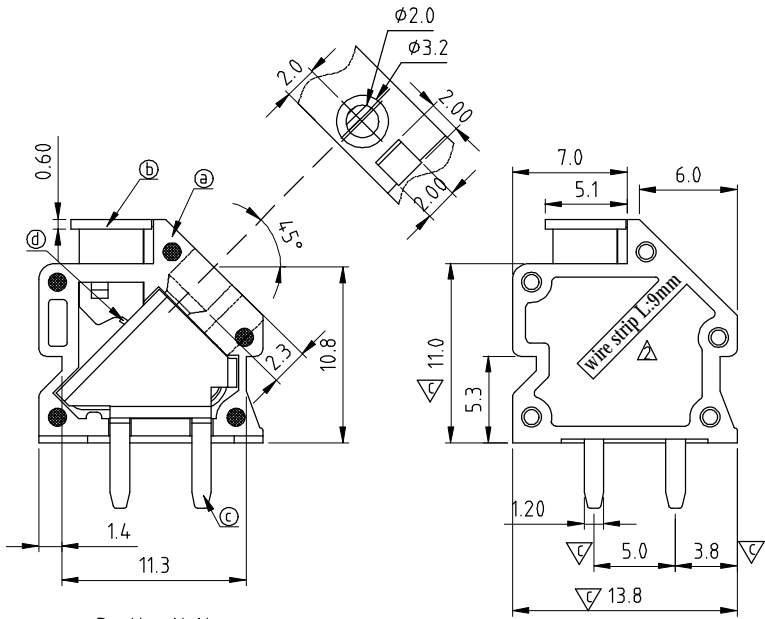
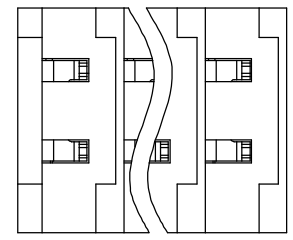
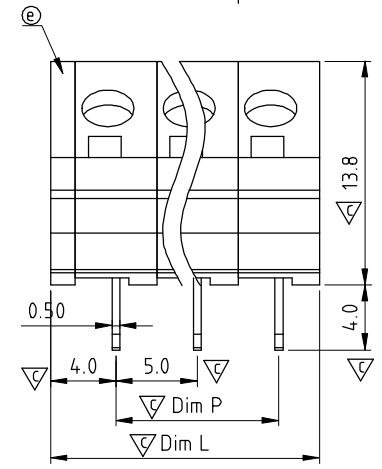
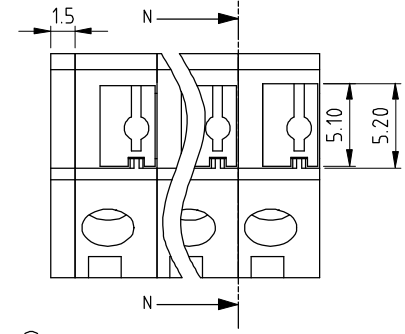
THIS IS CAD DRAWING, DO NOT REVISE MANUALLY!!!

**Material**

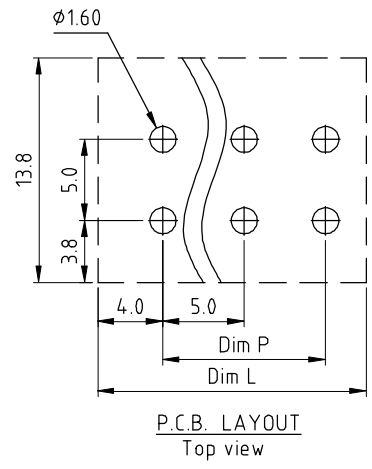
- Item ① Insulating body Thermoplastic ( UL94V-0 )
- Item ② Insulating lever Thermoplastic ( UL94V-0 ) Grey RAL7004/P
- Item ③ Contact pin Brass, Tin plated
- Item ④ Spring clamp Stainless steel
- Item ⑤ Insulating cover Thermoplastic ( UL94V-0 )

**Electrical**

- cULus
- Voltage rating: 300VAC
  - Current rating: 7A
  - Wire range:
  - Solid wire(AWG): 16-24
  - Stranded wire(AWG): 16-24
  - Wire strip length: 8-9mm
  - Withstanding Voltage: 1.6KV
  - Operating temperature: -40°C to +115°C
  - Soldering temperature: 260°C±5°C/5 Sec
- △ ● Safety Approval: cULus
- Critical dimension: ▽



Section N-N



P.C.B. LAYOUT  
Top view

N=NUMBER OF POLES

Dim L	$N \times 5.0 + 1.50$
Dim P	$(N-1) \times 5.0$

POLES	Dim L	Dim P
1p	±0.1	±0.1
2p-6p	±0.15	±0.15
7p-12p	±0.2	±0.2
13p-18p	±0.3	±0.3
19p-24p	±0.4	±0.4

**NX xx 00 x 0 xxxx G**

- No. OF POLES
    - 01: 1 POLES
    - 02: 2 POLES
    - ...
    - 24: 24 POLES
  - Body Color
    - 0 Black (RAL9005)
    - 2 Red (RAL3001/D)
    - 3 Orange (RAL2011/P)
    - 4 Yellow (RAL1018/A) customer request.
    - 5 Green (RAL6018/T) please contact sales
    - 6 Blue (RAL5015/A) department.
    - 8 Grey (RAL7004/P)
    - 9 White (RAL1102)
    - C Multiple colors
  - 0000 Standard @ Logo
  - 000A Standard ANY Logo
  - Any special item by customer request.
- RoHs compliant (lead<4%) in copper Alloy

<b>ANYTEK</b>		<b>CUSTOMER COPY</b>			
TITLE	NX-5.0mm 45° Series				
PART NO.	NXxx00x0xxxxG		DWG NO.	8NX0001	
APPROVED	CHECKED	DESIGNED	DRAWN	CUST NO.	Tolerance
		Airy min 2014.09.23	Airy min 2014.09.23		X. ±0.50 X.X ±0.30 X.XX ±0.10 X° ±1°
				SHEET: 01/01	REV.: C