

SIGN	DATE	DESCRIPTION	APPROVER
△	09/23`14	Added cULus standard	Airy min
△	09/23`14	update the drawing	Airy min

THIS IS CAD DRAWING, DO NOT REVISE MANUALLY!!!

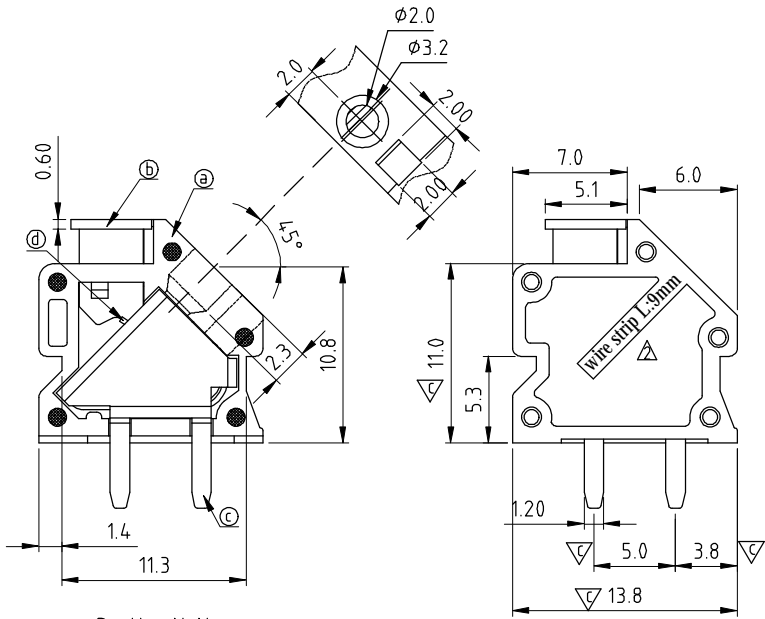
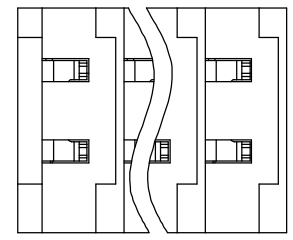
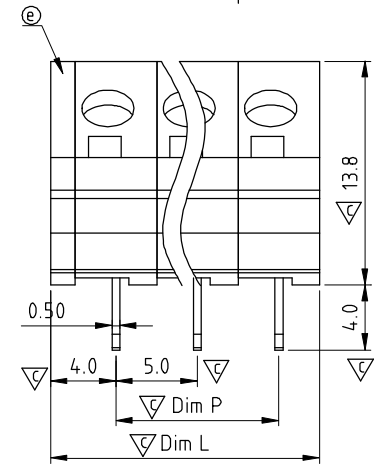
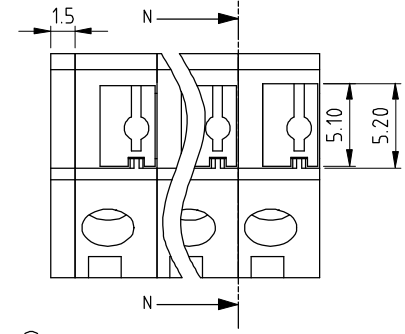
Material

- Item ① Insulating body Thermoplastic (UL94V-0)
- Item ② Insulating lever Thermoplastic (UL94V-0) Grey RAL7004/P
- Item ③ Contact pin Brass, Tin plated
- Item ④ Spring clamp Stainless steel
- Item ⑤ Insulating cover Thermoplastic (UL94V-0)

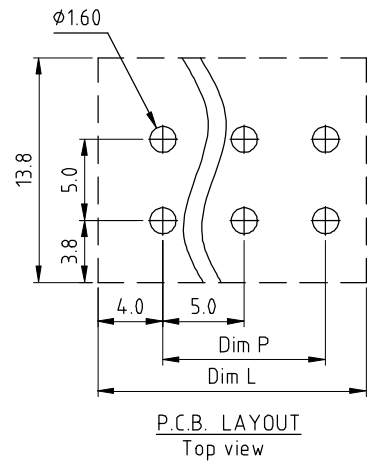
Electrical

- Voltage rating: 300VAC
- Current rating: 7A
- Wire range:
- Solid wire(AWG): 16-24
- Stranded wire(AWG): 16-24
- Wire strip length: 8-9mm
- Withstanding Voltage: 1.6KV
- Operating temperature: -40°C to +115°C
- Soldering temperature: 260°C±5°C/5 Sec

- △ Safety Approval: cULus
- Critical dimension: ▽



Section N-N



P.C.B. LAYOUT
Top view

N=NUMBER OF POLES

Dim L	$N \times 5.0 + 1.50$
Dim P	$(N-1) \times 5.0$

POLES	Dim L	Dim P
1p	±0.1	±0.1
2p-6p	±0.15	±0.15
7p-12p	±0.2	±0.2
13p-18p	±0.3	±0.3
19p-24p	±0.4	±0.4

NX xx 00 x 0 xxxx G

- No. OF POLES
01: 1 POLES
02: 2 POLES
:
24: 24 POLES
 - Body Color
0 Black (RAL9005)
2 Red (RAL3001/D)
3 Orange(RAL2011/P)
4 Yellow(RAL1018/A) customer request,
5 Green(RAL6018/T) please contact sales
6 Blue (RAL5015/A) department.
8 Grey(RAL7004/P)
9 White(RAL1102)
C Multiple colors
 - 0000 Standard @ Logo
000A Standard ANY Logo
Any special item by
customer request.
- RoHs compliant (lead<4%) in copper Alloy

ANYTEK		CUSTOMER COPY			
TITLE	NX-5.0mm 45° Series				
PART NO.	NXxx00x0xxxxG		DWG NO.	8NX0001	
APPROVED	CHECKED	DESIGNED	DRAWN	CUST NO.	Tolerance
		Airy min 2014.09.23	Airy min 2014.09.23		X. ±0.50 X.X ±0.30 X.XX ±0.10 X° ±1°
				SHEET: 01/01	REV.: C