

SIGN	DATE	DESCRIPTION	APPROVER
△	09/23 14	Added cULus standard	Airy min
△	09/23 14	update the drawing	Airy min

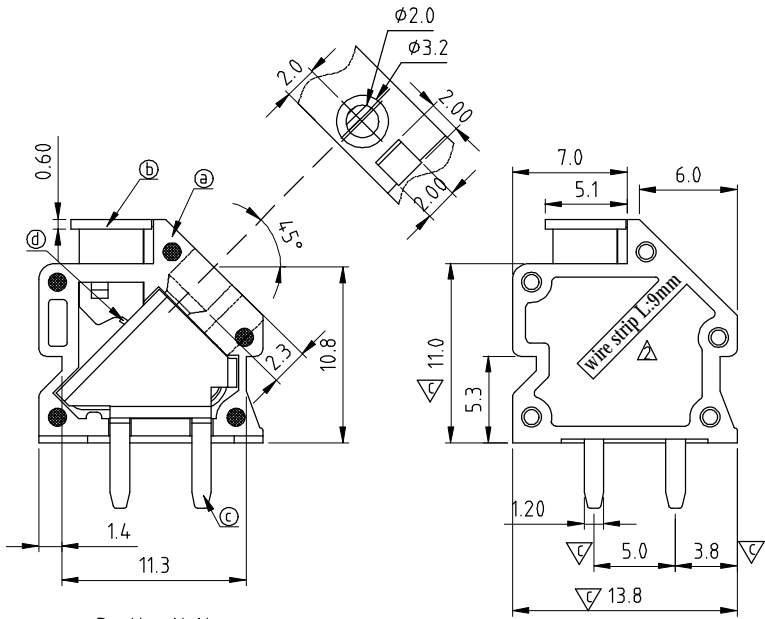
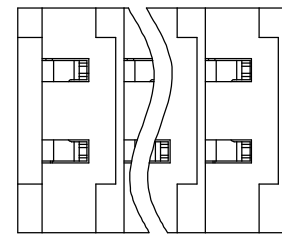
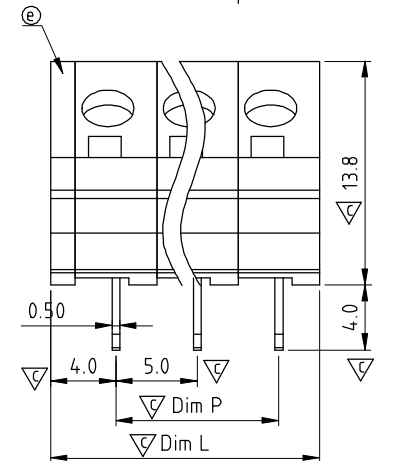
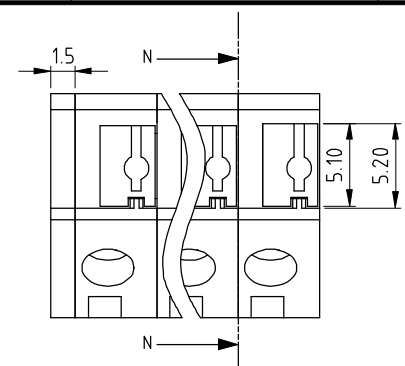
THIS IS CAD DRAWING, DO NOT REVISE MANUALLY!!!

Material

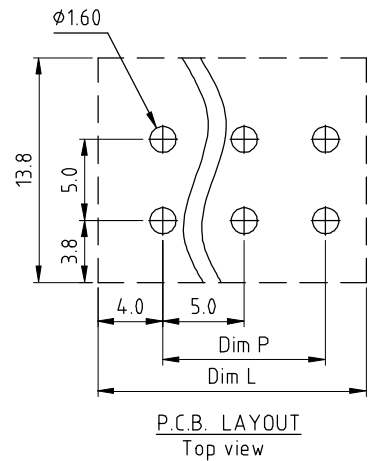
- Item ① Insulating body Thermoplastic (UL94V-0)
- Item ② Insulating lever Thermoplastic (UL94V-0) Grey RAL7004/P
- Item ③ Contact pin Brass, Tin plated
- Item ④ Spring clamp Stainless steel
- Item ⑤ Insulating cover Thermoplastic (UL94V-0)

Electrical

- cULus
- Voltage rating: 300VAC
 - Current rating: 7A
 - Wire range:
 - Solid wire(AWG): 16-24
 - Stranded wire(AWG): 16-24
 - Wire strip length: 8-9mm
 - Withstanding Voltage: 1.6KV
 - Operating temperature: -40°C to +115°C
 - Soldering temperature: 260°C±5°C/5 Sec
- △ Safety Approval: **ULus**
- Critical dimension:



Section N-N



P.C.B. LAYOUT
Top view

N=NUMBER OF POLES

Dim L	$N \times 5.0 + 1.50$
Dim P	$(N-1) \times 5.0$

POLES	Dim L	Dim P
1p	±0.1	
2p-6p	±0.15	±0.15
7p-12p	±0.2	±0.2
13p-18p	±0.3	±0.3
19p-24p	±0.4	±0.4

NX xx 00 x 0 xxxx G

- No. OF POLES
01: 1 POLES
02: 2 POLES
:
24: 24 POLES
 - Body Color
0 Black (RAL9005)
2 Red (RAL3001/D)
3 Orange(RAL2011/P)
4 Yellow(RAL1018/A) customer request,
5 Green(RAL6018/T) please contact sales
6 Blue (RAL5015/A) department.
8 Grey(RAL7004/P)
9 White(RAL1102)
C Multiple colors
 - 0000 Standard @ Logo
000A Standard ANY Logo
Any special item by
customer request.
- RoHs compliant (lead<4%) in copper Alloy

ANYTEK		CUSTOMER COPY			
		ALL RIGHTS RESERVED. REPRODUCTION OR ISSUE TO THIRD PARTIES IN ANY FORM WHATSOEVER IS NOT PERMITTED WITHOUT WRITTEN AUTHORITY FROM THE PROPRIETOR. PROPERTY OF ANYTEK TECHNOLOGY CO., LTD			
TITLE	NX-5.0mm 45° Series				
PART NO.	NXxx00x0xxxxG		DWG NO.	8NX0001	
APPROVED	CHECKED	DESIGNED	DRAWN	CUST NO.	Tolerance
		Airy min 2014.09.23	Airy min 2014.09.23		X. ±0.50 X.X ±0.30 X.XX ±0.10 X° ±1°
				SHEET: 01/01	REV.: C