

SIGN	DATE	DESCRIPTION	APPROVER
△	09/23`14	Added cULus standard	Airy min
△	09/23`14	update the drawing	Airy min

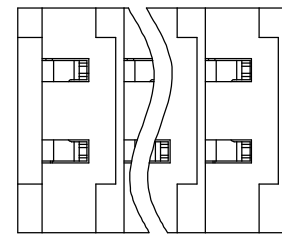
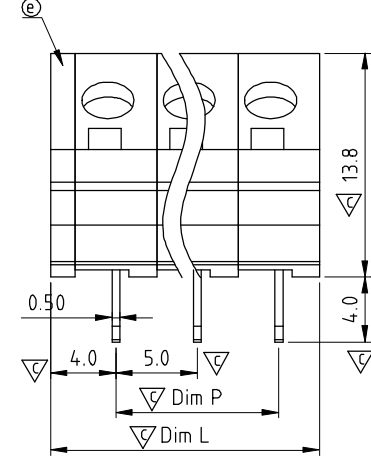
THIS IS CAD DRAWING, DO NOT REVISE MANUALLY!!!

**Material**

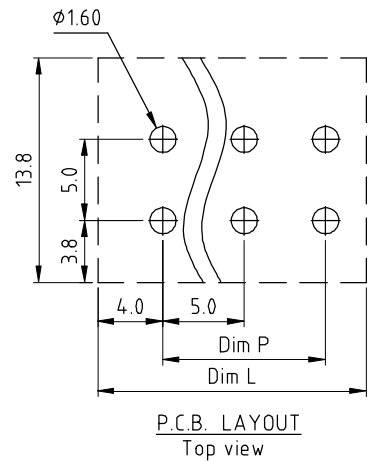
- Item ① Insulating body      Thermoplastic ( UL94V-0 )
- Item ② Insulating lever      Thermoplastic ( UL94V-0 ) Grey RAL7004/P
- Item ③ Contact pin          Brass, Tin plated
- Item ④ Spring clamp        Stainless steel
- Item ⑤ Insulating cover      Thermoplastic ( UL94V-0 )

**Electrical**

- cULus
- Voltage rating:            300VAC
  - Current rating:            7A
  - Wire range:
  - Solid wire(AWG):        16-24
  - Stranded wire(AWG):    16-24
  - Wire strip length:        8-9mm
  - Withstanding Voltage:   1.6KV
  - Operating temperature:   -40°C to +115°C
  - Soldering temperature:   260°C±5°C/5 Sec
- △ ● Safety Approval: cULus
- Critical dimension: ▽



Section N-N



P.C.B. LAYOUT  
Top view

N=NUMBER OF POLES

Dim L	$N \times 5.0 + 1.50$
Dim P	$(N-1) \times 5.0$

POLES	Dim L	Dim P
1p	±0.1	±0.1
2p-6p	±0.15	±0.15
7p-12p	±0.2	±0.2
13p-18p	±0.3	±0.3
19p-24p	±0.4	±0.4

**NX xx 00 x 0 xxxx G**

- No. OF POLES  
01: 1 POLES  
02: 2 POLES  
:  
24: 24 POLES
  - Body Color  
0 Black (RAL9005)  
2 Red (RAL3001/D)  
3 Orange(RAL2011/P)  
4 Yellow(RAL1018/A) customer request,  
5 Green(RAL6018/T) please contact sales  
6 Blue (RAL5015/A) department.  
8 Grey(RAL7004/P)  
9 White(RAL1102)  
C Multiple colors
  - 0000 Standard @ Logo  
000A Standard ANY Logo  
Any special item by customer request.
- RoHs compliant (lead<4%) in copper Alloy

<b>ANYTEK</b>		<b>CUSTOMER COPY</b>			
TITLE	NX-5.0mm 45° Series				
PART NO.	NXxx00x0xxxxG		DWG NO.	8NX0001	
APPROVED	CHECKED	DESIGNED	DRAWN	CUST NO.	Tolerance
		Airy min 2014.09.23	Airy min 2014.09.23		X. ±0.50 X.X ±0.30 X.XX ±0.10 X° ±1°
				SHEET: 01/01	REV.: C