



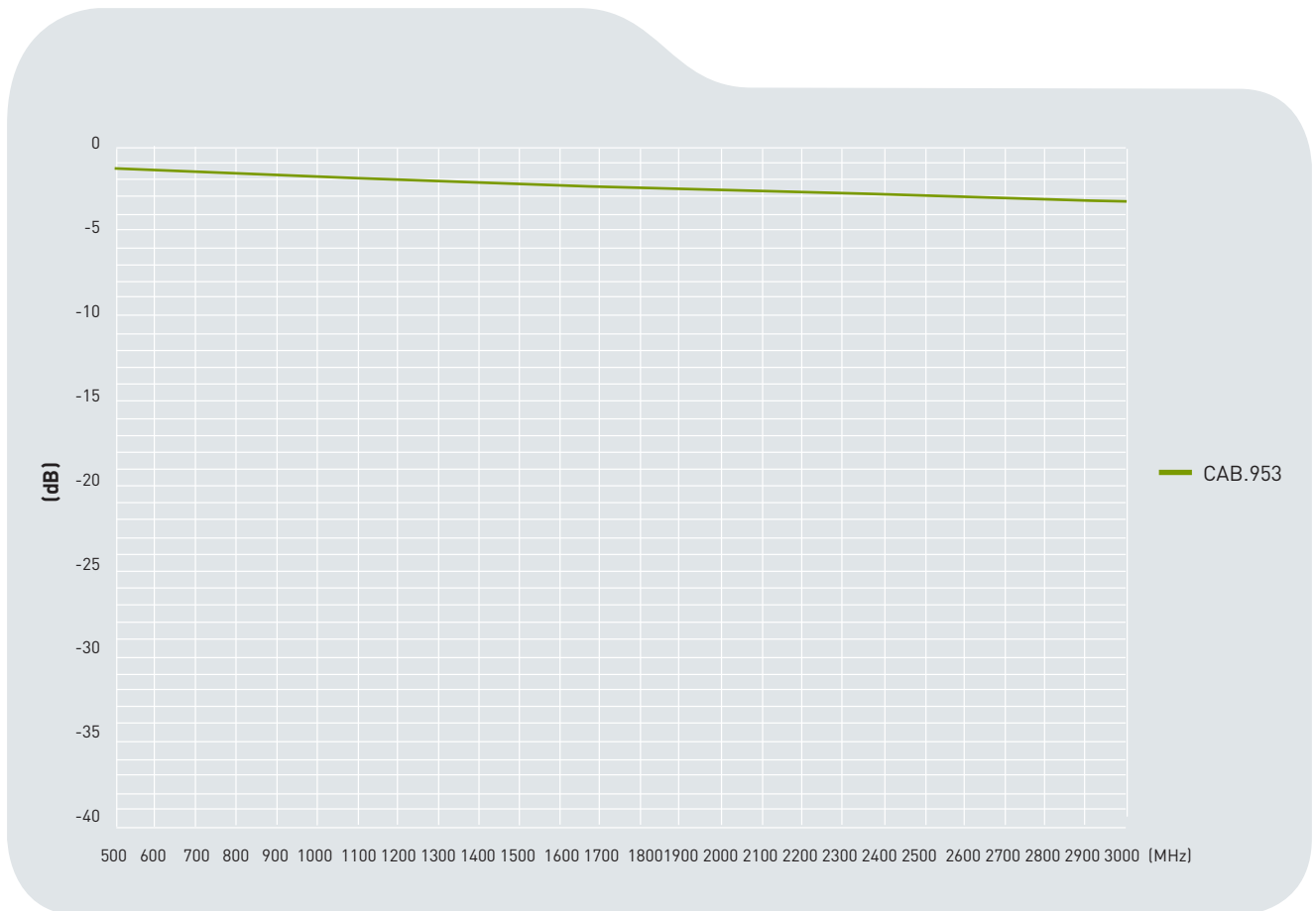
Close-up of CAB.953

**CAB.953**

## Specification

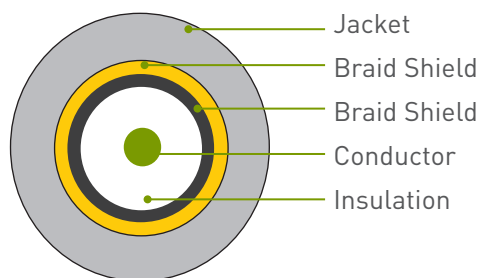
<b>Part No.</b>	<b>CAB.953</b>
<b>Product Name</b>	<b>CAB.953</b> Taoglas Low Loss Cable Assembly N Type Jack with O-Ring to 5000mm(16.4') ULC-200 to SMA(M)

# 1. Cable Insertion Loss

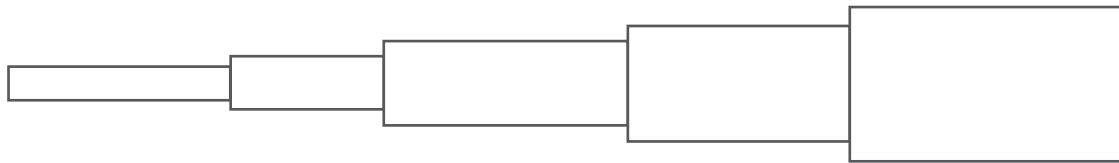


# 2. ULC-200 Cable Specification

## 2.1 Drawing - Cross Section



## 2.2 Structure and Dimensions



### Conductor

- Material - Bare Copper Wire
- Composition (1/1.12mm)
- Diameter - 1.12mm

### Insulation

- Material - Gas Injected Foam Polyethylene
- Avg. Thickness - 0.91mm
- Diameter - 2.95±0.1mm

### Braid Shield

- Material - Aluminium Foil
- Construction - 0.038mm

### Braid Shield

- Material - Tinned Copper Wire
- Structure - 16/6/0.12mm
- Coverage - 87%
- Diameter - 0.12±0.008mm

### Jacket

- Material - RoHS PVC
- Diameter - 4.95 ± 0.10mm
- Colour - Black

## 2.3 Electrical & Physical Specification

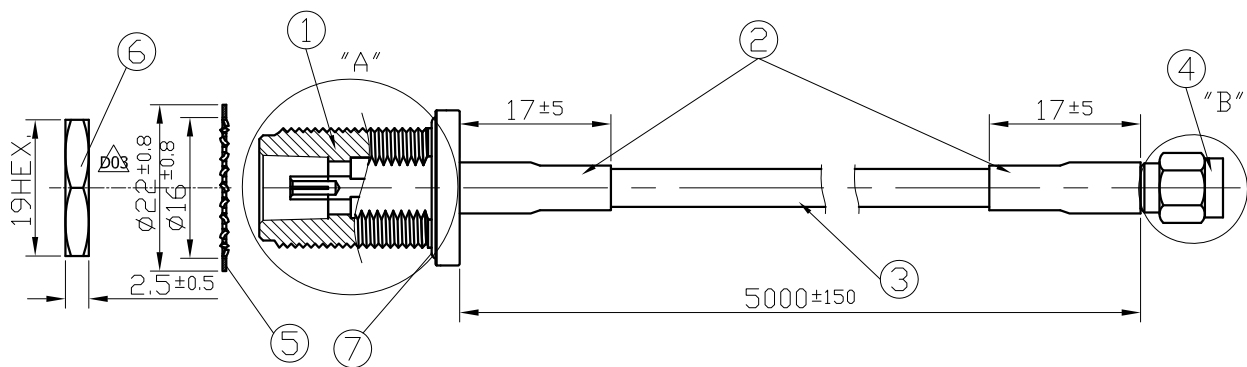
### The Characteristic of ULC-200 Coaxial Cable

<b>Insulation Resistance:</b>	1000 MΩ-Km (Min)
<b>Capacitance</b>	80.4 ± 3 pF/m
<b>Nom. Impedance</b>	50 ± 3 Ω

<b>Attenuation</b>	<b>500MHz</b>	<b>1000MHz</b>	<b>1500MHz</b>	<b>2000MHz</b>	<b>2500MHz</b>	<b>3000MHz</b>
<b>(dB / 100M)</b>	24.1	34.4	42.4	49.3	55.4	60.9

### 3. Technical Drawing

#### 3.1 CAB.953



	Name	Material	Finish	QTY
1	N Type(F)ST	Brass	Ni Plated	1
2	Heat Shrink Tube	PE	Black	2
3	ULC200	PVC	Black	1
4	SMA(M)ST Connector	Brass	Gold	1
5	SMA Washer	Brass	Ni Plated	1
6	SMA Nut	Brass	Ni Plated	1
7	O-Ring	Brass	Black	1

### 3.2 Connectors

