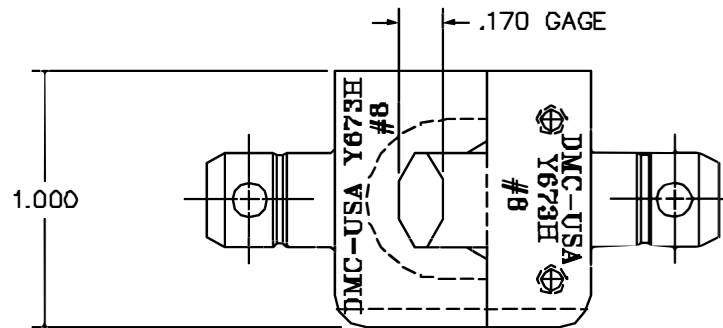
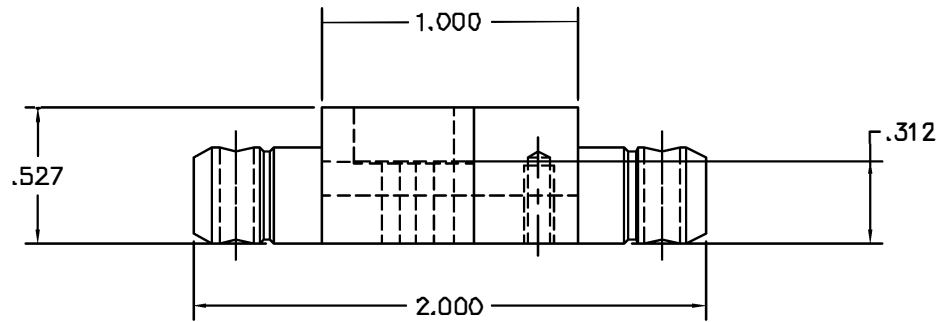



REVISIONS				
REV. SYM.	EQD. NUMBER	DESCRIPTION	BY DATE	APP'D DATE
1		ORIGINAL RELEASE	JWJ 3/3/00	RRR 3/3/00



**UNCONTROLLED DOCUMENT
WILL NOT BE UPDATED**

1. RECOMMENDED FOR USE IN HYDRAULIC
TOOL ONLY.

NOTES:

RESTRICTED & CONFIDENTIAL		MATERIAL	ITEM	PART NO.	QTY.	DESCRIPTION/REMARKS	
CONFIDENTIAL PROPERTY OF DANIELS MANUFACTURING CORP. NOT TO BE DISCLOSED TO OTHERS, REPRODUCED OR USED FOR ANY OTHER PURPOSE EXCEPT AS AUTHORIZED IN WRITING BY DANIELS MANUFACTURING. MUST BE RETURNED TO DANIELS MANUFACTURING CORP. ON COMPLETION OF ORDER OR OTHER PURPOSE FOR WHICH LENT.		HEAT TREAT	DRN.	J. JOYCE	DATE 3/3/00	 DANIELS MANUFACTURING CORP. ORLANDO, FLORIDA CAGE 11651	
			CHK'D.	RRR	DATE 3/3/00		
DO NOT SCALE DRAWING		FINISH	APPL.		DATE	TITLE	
			APPL.		DATE	DIE SET #8 ENVELOPE DRAWING	
			NOTE:		WHICH USED:		
			THIS DRAWING IS AN OUTLINE DRAWING OF THE RESPECTIVE DMC PART NUMBER INDICATED. ACTUAL DMC PART NUMBER IS DRAWING NUMBER WITHOUT THE "-ENV" SUFFIX.		SIZE B	SCALE 2X	CAD P/N Y673H-ENV
					POSTING	DWC NO. Y673H-ENV	SHEET OF 1 1
						REV. 1	