

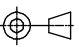


CODE 40 - TINEL-LOCK BACKSHELL

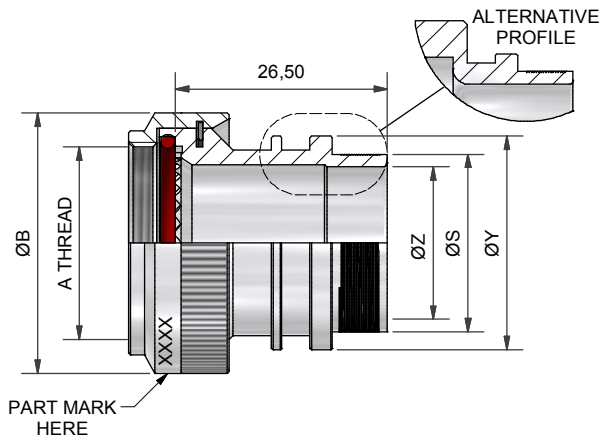
TXR40AB00-1608AI-S

SERIES _____
 TXR: RING INCLUDED
 (SEE RING OPTION)
 TX: RING NOT INCLUDED
 CONNECTOR INTERFACE _____
 MATERIAL _____
 REFER TO CH00-0250-008
 FINISH _____
 REFER TO CH00-0250-008
 ANGLE _____
 DASH NUMBER (TABLE 1) _____
 ENTRY SIZE (TABLE 2) _____
 RING OPTION _____
 AI - TO SUIT SINGLE BRAID
 BI - TO SUIT DOUBLE BRAID
 FOR TX, LEAVE BLANK
 MODIFICATION CODE _____
 REFER TO CH00-0250-008 (2)

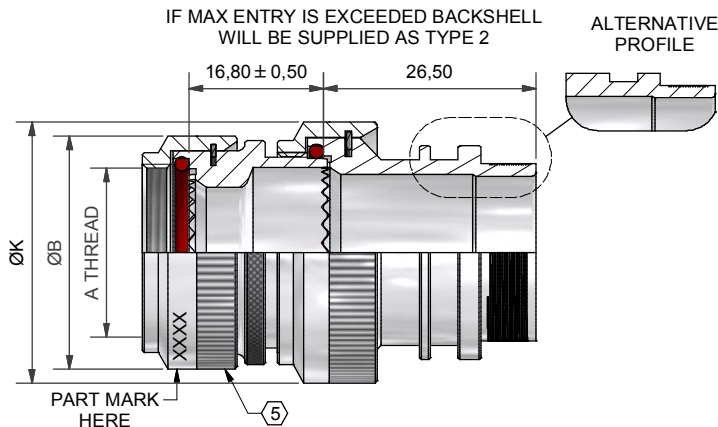
NOTES:

1. THIS PRODUCT IS DESIGNED TO TERMINATE A BRAIDED CABLE SHIELD AND A HEAT SHRINKABLE LIPPED BOOT TO A CONNECTOR.
- (2) FOR ADDITIONAL DIMENSIONS, ORDERING INFORMATION AND MODIFICATIONS, SEE CH00-0250-008.
- (3) SEE DRAWING TR FOR DETAIL ON TINEL-LOCK RING, RINGS ARE DESIGNED TO BE HEATED ELECTRICALLY, ALL RINGS ARE MARKED WITH THERMOCHROMIC PAINT WHICH CHANGES COLOUR WHEN INSTALLATION TEMPERATURE IS REACHED.
4. BACKSHELL TO BE PERMANENTLY MARKED/BAGGED AND LABELLED WITH CODE IDENTIFICATION NUMBER AND PART NUMBER LESS RING DESIGNATOR. (e.g. 06090-TXR40AB00-1206). RING SHALL BEAR NO MARKING.
- (5) FOR LARGER ENTRY SIZES, A 2 PIECE BACKSHELL ASSEMBLY (TYPE 2) IS SUPPLIED.
6. BACKSHELL MATES TO MIL-DTL-38999, SERIES III AND IV, CLASS C, F, K, AND W, D38999/20, /24, /26, /40, /46 AND /47 CONNECTORS, AND WHEN SO MATED SHALL PROVIDE A WATER-TIGHT SEAL MEETING THE REQUIREMENTS OF MIL-C-85049, PARA. 3. 5. 7.
- (7) THESE DIMENSIONS APPLY IF A SELF-LOCKING COUPLING NUT IS USED.

| | | | | | | |
|--|---------------------------|---------------------------|---|--|------------------------|---|
| DRAWN | K.WINCZURA | DATE 04/12/2014 |  3RD ANGLE PROJECTION NOT TO SCALE | TITLE: | TINEL-LOCK BACKSHELL |  Polamco  TE connectivity |
| CHECKED | | 04/12/2014 | | | | |
| APPROVED | K.SHEPPARD | 04/12/2014 | | UNLESS OTHERWISE SPECIFIED ALL DIMENSIONS IN MILLIMETRES GENERAL TOL LINEAR +/-0.25MM ANGULAR +/- 1° | | |
| APPROVED | H.SMITH | 15/06/2015 | | | | |
| REVISIONS | | | | | | |
| LTR | DESCRIPTION | DATE | APPROVED | | | |
| K | REVISED PER ECO-15-002200 | 11.02.15 | H.SMITH | | | |
| L | REVISED PER ECO-17-009011 | 21.06.17 | D.JONES | | | |
| TE CAGE CODE: 06090 POLAMCO/TE CAGE CODE: U5792 | | | | TE CONNECTIVITY - POLAMCO LTD RESERVES THE RIGHT TO AMEND THIS DRAWING AND THE INFORMATION SET FORTH HEREON AT ANY TIME. USERS SHOULD INDEPENDENTLY EVALUATE THE SUITABILITY OF THE PRODUCT FOR THEIR APPLICATION. | | DRAWING NO: TXR40 |
| | | | | DRAWING REV: L | SHT 1 | |

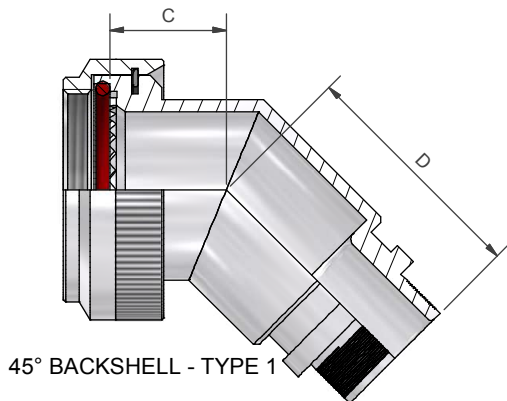


STRAIGHT BACKSHELL - TYPE 1

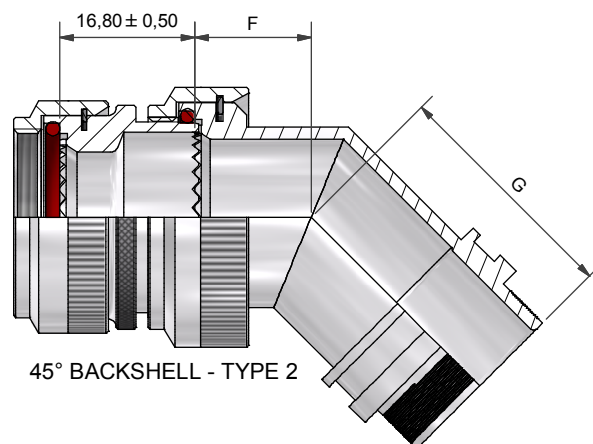


STRAIGHT BACKSHELL - TYPE 2

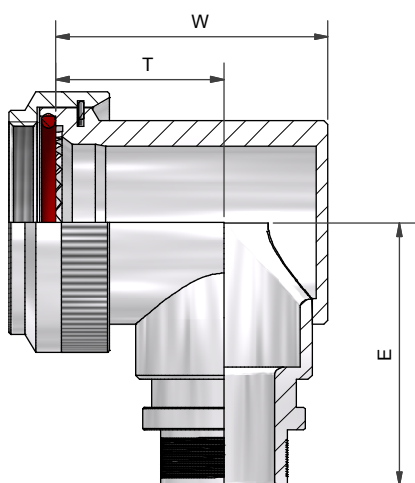
IF MAX ENTRY IS EXCEEDED BACKSHELL WILL BE SUPPLIED AS TYPE 2



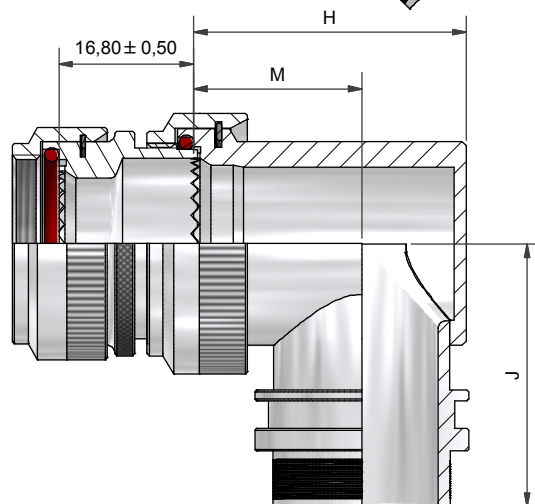
45° BACKSHELL - TYPE 1



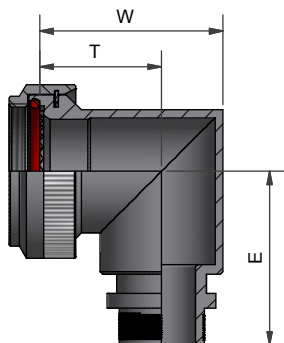
45° BACKSHELL - TYPE 2



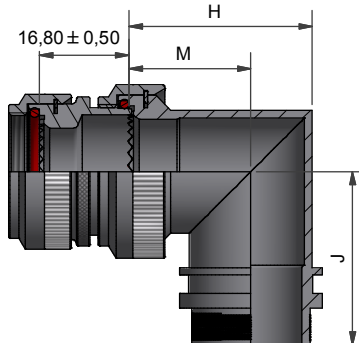
90° BACKSHELL - TYPE 1



90° BACKSHELL - TYPE 2



90° BACKSHELL - TYPE 1
STAINLESS STEEL AND
NICKEL ALUMINIUM BRONZE



90° BACKSHELL - TYPE 2
STAINLESS STEEL AND
NICKEL ALUMINIUM BRONZE

| | | | |
|-----------|---------------------------|----------|------------|
| DRAWN | K.WINCZURA | DATE | 04/12/2014 |
| CHECKED | | DATE | 04/12/2014 |
| APPROVED | K.SHEPPARD | DATE | 04/12/2014 |
| APPROVED | H.SMITH | DATE | 15/06/2015 |
| REVISIONS | | | |
| LTR | DESCRIPTION | DATE | APPROVED |
| K | REVISED PER ECO-15-002200 | 11.02.15 | H.SMITH |
| L | REVISED PER ECO-17-009011 | 21.06.17 | D.JONES |

3RD ANGLE PROJECTION
NOT TO SCALE

UNLESS OTHERWISE SPECIFIED
ALL DIMENSIONS IN MILLIMETRES
GENERAL TOL
LINEAR +/-0.25MM
ANGULAR +/- 1°

TITLE:
TINEL-LOCK BACKSHELL

ASSY USED ON:
MIL-DTL-38999 SERIES III & IV

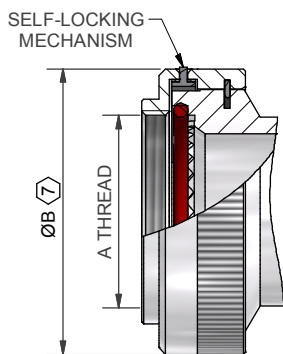


TE CAGE CODE: 06090
POLAMCO/TE CAGE CODE: U5792

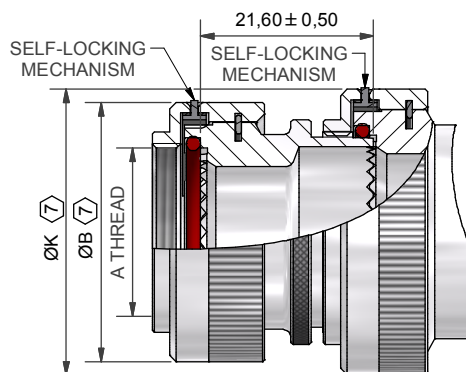
TE CONNECTIVITY - POLAMCO LTD RESERVES THE RIGHT TO AMEND THIS DRAWING AND THE INFORMATION SET FORTH HEREON AT ANY TIME. USERS SHOULD INDEPENDENTLY EVALUATE THE SUITABILITY OF THE PRODUCT FOR THEIR APPLICATION.

| | | |
|-------------|--------------|-----|
| DRAWING NO: | DRAWING REV: | SHT |
| TXR40 | L | 2 |

MODIFICATION S (SELF-LOCKING COUPLING NUT)



BACKSHELL - TYPE 1



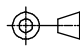
BACKSHELL - TYPE 2

TABLE 1

| ORDER NO. | SHELL SIZE COM'L / MIL | A THREAD | ØB MAX | ØB MAX $\langle 7 \rangle$ | MAX ENTRY | C $\pm 0,5$ | D $\pm 0,5$ | W $\pm 0,5$ | T $\pm 0,5$ | E $\pm 0,5$ | THESE DIMENSIONS APPLY IF BACKSHELL IS STAINLESS STEEL OR NICKEL ALUMINIUM BRONZE | | |
|-----------|------------------------|-----------|--------|----------------------------|-----------|-------------|-------------|-------------|-------------|-------------|---|-------------|-------------|
| | | | | | | | | | | | W $\pm 0,5$ | T $\pm 0,5$ | E $\pm 0,5$ |
| 08 | 9 / A | M12 x 1.0 | 18,0 | 21,5 | 04 | 12,0 | 26,8 | 21,0 | 14,0 | 26,20 | 21,2 | 16,3 | 26,4 |
| 10 | 11 / B | M15 x 1.0 | 21,0 | 24,6 | 07 | 12,5 | 27,5 | 24,0 | 15,5 | 27,95 | 24,3 | 17,2 | 28,2 |
| 12 | 13 / C | M18 x 1.0 | 24,5 | 28,3 | 08 | 13,1 | 28,0 | 27,0 | 17,0 | 29,45 | 28,3 | 19,4 | 29,7 |
| 14 | 15 / D | M22 x 1.0 | 29,0 | 32,4 | 10 | 13,5 | 29,0 | 31,0 | 19,5 | 31,00 | 31,1 | 21,0 | 31,2 |
| 16 | 17 / E | M25 x 1.0 | 32,5 | 35,6 | 12 | 14,5 | 29,7 | 34,0 | 21,0 | 32,70 | 34,2 | 22,8 | 32,9 |
| 18 | 19 / F | M28 x 1.0 | 35,5 | 38,5 | 14 | 15,5 | 30,5 | 35,0 | 20,0 | 34,25 | 38,5 | 25,3 | 34,5 |
| 20 | 21 / G | M31 x 1.0 | 37,0 | 41,7 | 16 | 16,1 | 30,9 | 38,0 | 21,5 | 35,80 | 40,7 | 26,1 | 36,1 |
| 22 | 23 / H | M34 x 1.0 | 40,0 | 43,9 | 18 | 16,5 | 31,1 | 42,0 | 24,0 | 37,40 | 43,7 | 27,6 | 37,6 |
| 24 | 25 / J | M37 x 1.0 | 43,5 | 47,0 | 20 | 17,0 | 32,1 | 45,0 | 25,5 | 38,90 | 46,4 | 29,1 | 39,1 |

TABLE 2

| ENTRY SIZE | ØZ MIN | ØS | ØY $\pm 0,3$ | ØK MAX | ØK MAX $\langle 7 \rangle$ | F $\pm 0,5$ | G $\pm 0,5$ | H $\pm 0,5$ | M $\pm 0,5$ | J $\pm 0,5$ | THESE DIMENSIONS APPLY IF BACKSHELL IS STAINLESS STEEL OR NICKEL ALUMINIUM BRONZE | | |
|------------|--------|---------------|--------------|--------|----------------------------|-------------|-------------|-------------|-------------|-------------|---|-------------|-------------|
| | | | | | | | | | | | H $\pm 0,5$ | M $\pm 0,5$ | J $\pm 0,5$ |
| 04 | 6,35 | 9,49 +/-0,04 | 14,00 | NA | NA | NA | NA | NA | NA | NA | NA | NA | NA |
| 05 | 7,92 | 11,06 +/-0,04 | 15,50 | 21,0 | 24,6 | 12,5 | 27,5 | 24,0 | 15,5 | 27,95 | 24,3 | 17,2 | 28,2 |
| 06 | 9,53 | 12,66 +/-0,04 | 17,10 | 21,0 | 24,6 | 12,5 | 27,5 | 24,0 | 15,5 | 27,95 | 24,3 | 17,2 | 28,2 |
| 07 | 11,10 | 14,21 +/-0,07 | 18,70 | 21,0 | 24,6 | 12,5 | 27,5 | 24,0 | 15,5 | 27,95 | 24,3 | 17,2 | 28,2 |
| 08 | 12,70 | 15,81 +/-0,07 | 20,30 | 24,5 | 28,3 | 13,1 | 28,0 | 27,0 | 17,0 | 29,45 | 28,3 | 19,4 | 29,7 |
| 10 | 15,88 | 18,96 +/-0,08 | 23,50 | 29,0 | 32,4 | 13,5 | 29,0 | 31,0 | 19,5 | 31,00 | 31,1 | 21,0 | 31,2 |
| 12 | 19,05 | 22,14 +/-0,08 | 26,70 | 32,5 | 35,6 | 14,5 | 29,7 | 34,0 | 21,0 | 32,70 | 34,2 | 22,8 | 32,9 |
| 14 | 22,23 | 25,30 +/-0,08 | 29,80 | 35,5 | 38,5 | 15,5 | 30,5 | 35,0 | 20,0 | 34,25 | 38,5 | 25,3 | 34,5 |
| 16 | 25,40 | 28,48 +/-0,08 | 33,00 | 37,0 | 41,7 | 16,1 | 30,9 | 38,0 | 21,5 | 35,80 | 40,7 | 26,1 | 36,1 |
| 18 | 28,58 | 31,65 +/-0,08 | 36,20 | 40,0 | 43,9 | 16,5 | 31,1 | 42,0 | 24,0 | 37,40 | 43,7 | 27,6 | 37,6 |
| 20 | 31,75 | 34,83 +/-0,08 | 39,40 | 43,5 | 47,0 | 17,0 | 32,1 | 45,0 | 25,5 | 38,90 | 46,4 | 29,1 | 39,1 |
| 22 | 34,93 | 37,98 +/-0,08 | 42,50 | 48,5 | 50,0 | 18,5 | 35,3 | 54,5 | 31,0 | 42,00 | 50,0 | 31,0 | 42,0 |
| 24 | 38,10 | 41,15 +/-0,08 | 45,70 | 52,1 | 56,0 | 21,9 | 38,1 | 58,0 | 33,0 | 46,00 | 53,5 | 33,0 | 46,0 |

| | | | | |
|------------------|---------------------------|----------|------------|---|
| DRAWN | K.WINCZURA | DATE | 04/12/2014 |  3RD ANGLE PROJECTION NOT TO SCALE UNLESS OTHERWISE SPECIFIED ALL DIMENSIONS IN MILLIMETRES GENERAL TOL LINEAR +/-0,25MM ANGULAR +/- 1° |
| CHECKED | | DATE | 04/12/2014 | |
| APPROVED | K.SHEPPARD | DATE | 04/12/2014 | |
| APPROVED | H.SMITH | DATE | 15/06/2015 | |
| REVISIONS | | | | |
| LTR | DESCRIPTION | DATE | APPROVED | |
| K | REVISED PER ECO-15-002200 | 11.02.15 | H.SMITH | |
| L | REVISED PER ECO-17-009011 | 21.06.17 | D.JONES | |

| | | | |
|----------------------|--|--|--|
| TITLE: | | TINEL-LOCK BACKSHELL | |
| ASSY USED ON: | | MIL-DTL-38999 SERIES III & IV | |

