



CODE 40 - TINEL-LOCK BACKSHELL

TXR40AB00-1608AI-S

SERIES _____
 TXR: RING INCLUDED
 (SEE RING OPTION)
 TX: RING NOT INCLUDED
 CONNECTOR INTERFACE _____
 MATERIAL _____
 REFER TO CH00-0250-008
 FINISH _____
 REFER TO CH00-0250-008
 ANGLE _____
 DASH NUMBER (TABLE 1) _____
 ENTRY SIZE (TABLE 2) _____
 RING OPTION _____
 AI - TO SUIT SINGLE BRAID
 BI - TO SUIT DOUBLE BRAID
 FOR TX, LEAVE BLANK
 MODIFICATION CODE _____
 REFER TO CH00-0250-008 (2)

NOTES:

1. THIS PRODUCT IS DESIGNED TO TERMINATE A BRAIDED CABLE SHIELD AND A HEAT SHRINKABLE LIPPED BOOT TO A CONNECTOR.
- (2) FOR ADDITIONAL DIMENSIONS, ORDERING INFORMATION AND MODIFICATIONS, SEE CH00-0250-008.
- (3) SEE DRAWING TR FOR DETAIL ON TINEL-LOCK RING, RINGS ARE DESIGNED TO BE HEATED ELECTRICALLY, ALL RINGS ARE MARKED WITH THERMOCHROMIC PAINT WHICH CHANGES COLOUR WHEN INSTALLATION TEMPERATURE IS REACHED.
4. BACKSHELL TO BE PERMANENTLY MARKED/BAGGED AND LABELLED WITH CODE IDENTIFICATION NUMBER AND PART NUMBER LESS RING DESIGNATOR. (e.g. 06090-TXR40AB00-1206). RING SHALL BEAR NO MARKING.
- (5) FOR LARGER ENTRY SIZES, A 2 PIECE BACKSHELL ASSEMBLY (TYPE 2) IS SUPPLIED.
6. BACKSHELL MATES TO MIL-DTL-38999, SERIES III AND IV, CLASS C, F, K, AND W, D38999/20, /24, /26, /40, /46 AND /47 CONNECTORS, AND WHEN SO MATED SHALL PROVIDE A WATER-TIGHT SEAL MEETING THE REQUIREMENTS OF MIL-C-85049, PARA. 3. 5. 7.
- (7) THESE DIMENSIONS APPLY IF A SELF-LOCKING COUPLING NUT IS USED.

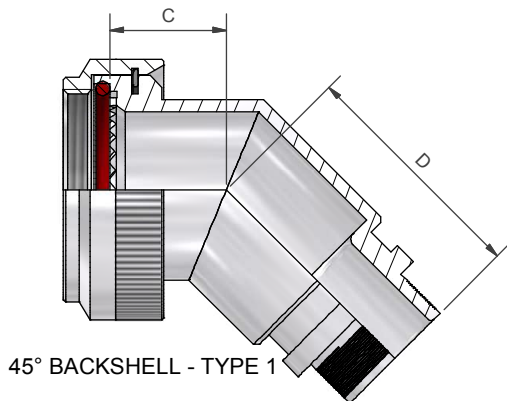
| | | | | | | | | |
|--|---------------------------|------------|---|--|--|---|--------------------------|-----------------|
| DRAWN | K.WINCZURA | DATE | 04/12/2014 |  3RD ANGLE PROJECTION NOT TO SCALE UNLESS OTHERWISE SPECIFIED ALL DIMENSIONS IN MILLIMETRES GENERAL TOL LINEAR +/-0.25MM ANGULAR +/- 1° | TITLE: TINEL-LOCK BACKSHELL |  Polamco  TE connectivity | | |
| CHECKED | | 04/12/2014 | ASSY USED ON: MIL-DTL-38999 SERIES III & IV | | | | | |
| APPROVED | K.SHEPPARD | 04/12/2014 | | | | | | |
| APPROVED | H.SMITH | 15/06/2015 | | | | | | |
| REVISIONS | | | | | | | | |
| LTR | DESCRIPTION | DATE | APPROVED | | | | | |
| K | REVISED PER ECO-15-002200 | 11.02.15 | H.SMITH | | | | | |
| L | REVISED PER ECO-17-009011 | 21.06.17 | D.JONES | | | | | |
| TE CAGE CODE: 06090 POLAMCO/TE CAGE CODE: U5792 | | | | | TE CONNECTIVITY - POLAMCO LTD RESERVES THE RIGHT TO AMEND THIS DRAWING AND THE INFORMATION SET FORTH HEREON AT ANY TIME. USERS SHOULD INDEPENDENTLY EVALUATE THE SUITABILITY OF THE PRODUCT FOR THEIR APPLICATION. | DRAWING NO: TXR40 | DRAWING REV: L | SHT 1 |



STRAIGHT BACKSHELL - TYPE 1



STRAIGHT BACKSHELL - TYPE 2



45° BACKSHELL - TYPE 1



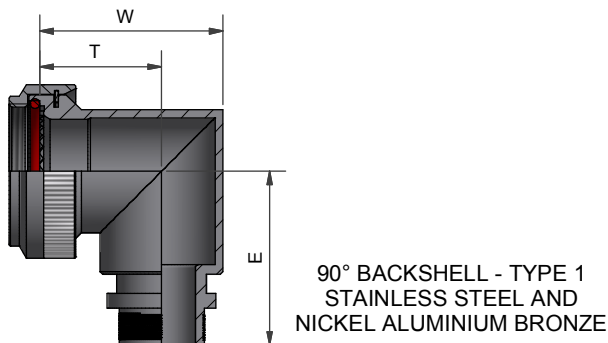
45° BACKSHELL - TYPE 2



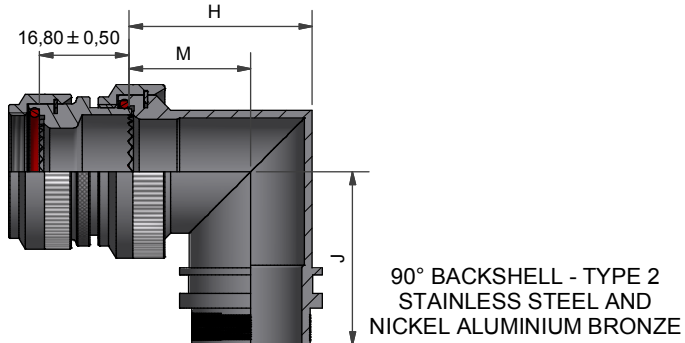
90° BACKSHELL - TYPE 1



90° BACKSHELL - TYPE 2



90° BACKSHELL - TYPE 1
STAINLESS STEEL AND
NICKEL ALUMINIUM BRONZE



90° BACKSHELL - TYPE 2
STAINLESS STEEL AND
NICKEL ALUMINIUM BRONZE

| | | | | |
|---|------------|------|------------|--|
| DRAWN | K.WINCZURA | DATE | 04/12/2014 | <p>3RD ANGLE PROJECTION NOT TO SCALE</p> |
| CHECKED | | DATE | 04/12/2014 | |
| APPROVED | K.SHEPPARD | DATE | 04/12/2014 | |
| APPROVED | H.SMITH | DATE | 15/06/2015 | |
| <p>UNLESS OTHERWISE SPECIFIED ALL DIMENSIONS IN MILLIMETRES GENERAL TOL LINEAR +/-0.25MM ANGULAR +/- 1°</p> | | | | |

| REVISIONS | | | |
|-----------|---------------------------|----------|----------|
| LTR | DESCRIPTION | DATE | APPROVED |
| K | REVISED PER ECO-15-002200 | 11.02.15 | H.SMITH |
| L | REVISED PER ECO-17-009011 | 21.06.17 | D.JONES |

TITLE:
TINEL-LOCK BACKSHELL

ASSY USED ON:
MIL-DTL-38999 SERIES III & IV



TE CAGE CODE: 06090
POLAMCO/TE CAGE CODE: U5792

TE CONNECTIVITY - POLAMCO LTD RESERVES THE RIGHT TO AMEND THIS DRAWING AND THE INFORMATION SET FORTH HEREON AT ANY TIME. USERS SHOULD INDEPENDENTLY EVALUATE THE SUITABILITY OF THE PRODUCT FOR THEIR APPLICATION.

DRAWING NO:
TXR40

DRAWING REV:
L

SHT
2

MODIFICATION S (SELF-LOCKING COUPLING NUT)



BACKSHELL - TYPE 1



BACKSHELL - TYPE 2

TABLE 1

| ORDER NO. | SHELL SIZE COM'L / MIL | A THREAD | ØB MAX | ØB MAX $\langle 7 \rangle$ | MAX ENTRY | C $\pm 0,5$ | D $\pm 0,5$ | W $\pm 0,5$ | T $\pm 0,5$ | E $\pm 0,5$ | THESE DIMENSIONS APPLY IF BACKSHELL IS STAINLESS STEEL OR NICKEL ALUMINIUM BRONZE | | |
|-----------|------------------------|-----------|--------|----------------------------|-----------|-------------|-------------|-------------|-------------|-------------|---|-------------|-------------|
| | | | | | | | | | | | W $\pm 0,5$ | T $\pm 0,5$ | E $\pm 0,5$ |
| 08 | 9 / A | M12 x 1.0 | 18,0 | 21,5 | 04 | 12,0 | 26,8 | 21,0 | 14,0 | 26,20 | 21,2 | 16,3 | 26,4 |
| 10 | 11 / B | M15 x 1.0 | 21,0 | 24,6 | 07 | 12,5 | 27,5 | 24,0 | 15,5 | 27,95 | 24,3 | 17,2 | 28,2 |
| 12 | 13 / C | M18 x 1.0 | 24,5 | 28,3 | 08 | 13,1 | 28,0 | 27,0 | 17,0 | 29,45 | 28,3 | 19,4 | 29,7 |
| 14 | 15 / D | M22 x 1.0 | 29,0 | 32,4 | 10 | 13,5 | 29,0 | 31,0 | 19,5 | 31,00 | 31,1 | 21,0 | 31,2 |
| 16 | 17 / E | M25 x 1.0 | 32,5 | 35,6 | 12 | 14,5 | 29,7 | 34,0 | 21,0 | 32,70 | 34,2 | 22,8 | 32,9 |
| 18 | 19 / F | M28 x 1.0 | 35,5 | 38,5 | 14 | 15,5 | 30,5 | 35,0 | 20,0 | 34,25 | 38,5 | 25,3 | 34,5 |
| 20 | 21 / G | M31 x 1.0 | 37,0 | 41,7 | 16 | 16,1 | 30,9 | 38,0 | 21,5 | 35,80 | 40,7 | 26,1 | 36,1 |
| 22 | 23 / H | M34 x 1.0 | 40,0 | 43,9 | 18 | 16,5 | 31,1 | 42,0 | 24,0 | 37,40 | 43,7 | 27,6 | 37,6 |
| 24 | 25 / J | M37 x 1.0 | 43,5 | 47,0 | 20 | 17,0 | 32,1 | 45,0 | 25,5 | 38,90 | 46,4 | 29,1 | 39,1 |

TABLE 2

| ENTRY SIZE | ØZ MIN | ØS | ØY $\pm 0,3$ | ØK MAX | ØK MAX $\langle 7 \rangle$ | F $\pm 0,5$ | G $\pm 0,5$ | H $\pm 0,5$ | M $\pm 0,5$ | J $\pm 0,5$ | THESE DIMENSIONS APPLY IF BACKSHELL IS STAINLESS STEEL OR NICKEL ALUMINIUM BRONZE | | |
|------------|--------|---------------|--------------|--------|----------------------------|-------------|-------------|-------------|-------------|-------------|---|-------------|-------------|
| | | | | | | | | | | | H $\pm 0,5$ | M $\pm 0,5$ | J $\pm 0,5$ |
| 04 | 6,35 | 9,49 +/-0,04 | 14,00 | NA | NA | NA | NA | NA | NA | NA | NA | NA | NA |
| 05 | 7,92 | 11,06 +/-0,04 | 15,50 | 21,0 | 24,6 | 12,5 | 27,5 | 24,0 | 15,5 | 27,95 | 24,3 | 17,2 | 28,2 |
| 06 | 9,53 | 12,66 +/-0,04 | 17,10 | 21,0 | 24,6 | 12,5 | 27,5 | 24,0 | 15,5 | 27,95 | 24,3 | 17,2 | 28,2 |
| 07 | 11,10 | 14,21 +/-0,07 | 18,70 | 21,0 | 24,6 | 12,5 | 27,5 | 24,0 | 15,5 | 27,95 | 24,3 | 17,2 | 28,2 |
| 08 | 12,70 | 15,81 +/-0,07 | 20,30 | 24,5 | 28,3 | 13,1 | 28,0 | 27,0 | 17,0 | 29,45 | 28,3 | 19,4 | 29,7 |
| 10 | 15,88 | 18,96 +/-0,08 | 23,50 | 29,0 | 32,4 | 13,5 | 29,0 | 31,0 | 19,5 | 31,00 | 31,1 | 21,0 | 31,2 |
| 12 | 19,05 | 22,14 +/-0,08 | 26,70 | 32,5 | 35,6 | 14,5 | 29,7 | 34,0 | 21,0 | 32,70 | 34,2 | 22,8 | 32,9 |
| 14 | 22,23 | 25,30 +/-0,08 | 29,80 | 35,5 | 38,5 | 15,5 | 30,5 | 35,0 | 20,0 | 34,25 | 38,5 | 25,3 | 34,5 |
| 16 | 25,40 | 28,48 +/-0,08 | 33,00 | 37,0 | 41,7 | 16,1 | 30,9 | 38,0 | 21,5 | 35,80 | 40,7 | 26,1 | 36,1 |
| 18 | 28,58 | 31,65 +/-0,08 | 36,20 | 40,0 | 43,9 | 16,5 | 31,1 | 42,0 | 24,0 | 37,40 | 43,7 | 27,6 | 37,6 |
| 20 | 31,75 | 34,83 +/-0,08 | 39,40 | 43,5 | 47,0 | 17,0 | 32,1 | 45,0 | 25,5 | 38,90 | 46,4 | 29,1 | 39,1 |
| 22 | 34,93 | 37,98 +/-0,08 | 42,50 | 48,5 | 50,0 | 18,5 | 35,3 | 54,5 | 31,0 | 42,00 | 50,0 | 31,0 | 42,0 |
| 24 | 38,10 | 41,15 +/-0,08 | 45,70 | 52,1 | 56,0 | 21,9 | 38,1 | 58,0 | 33,0 | 46,00 | 53,5 | 33,0 | 46,0 |

| | | | | |
|----------|------------|------|------------|---|
| DRAWN | K.WINCZURA | DATE | 04/12/2014 |  3RD ANGLE PROJECTION NOT TO SCALE UNLESS OTHERWISE SPECIFIED ALL DIMENSIONS IN MILLIMETRES GENERAL TOL LINEAR +/-0,25MM ANGULAR +/- 1° |
| CHECKED | | DATE | 04/12/2014 | |
| APPROVED | K.SHEPPARD | DATE | 04/12/2014 | |
| APPROVED | H.SMITH | DATE | 15/06/2015 | |

REVISIONS

| LTR | DESCRIPTION | DATE | APPROVED |
|-----|---------------------------|----------|----------|
| K | REVISED PER ECO-15-002200 | 11.02.15 | H.SMITH |
| L | REVISED PER ECO-17-009011 | 21.06.17 | D.JONES |

TITLE:

TINEL-LOCK BACKSHELL

ASSY USED ON:

MIL-DTL-38999 SERIES III & IV



Polamco



TE CONNECTIVITY - POLAMCO LTD RESERVES THE RIGHT TO AMEND THIS DRAWING AND THE INFORMATION SET FORTH HEREON AT ANY TIME. USERS SHOULD INDEPENDENTLY EVALUATE THE SUITABILITY OF THE PRODUCT FOR THEIR APPLICATION.

DRAWING NO:
TXR40

DRAWING REV:
L

SHT
3

TE CAGE CODE: 06090
POLAMCO/TE CAGE CODE: U5792