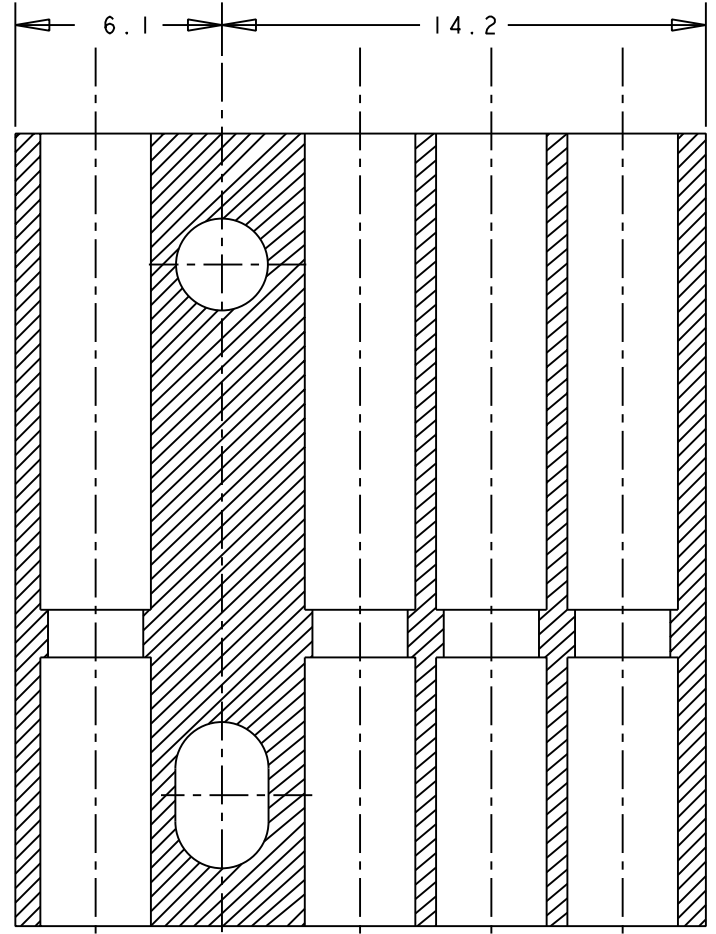


THIS DRAWING IS UNPUBLISHED. RELEASED FOR PUBLICATION

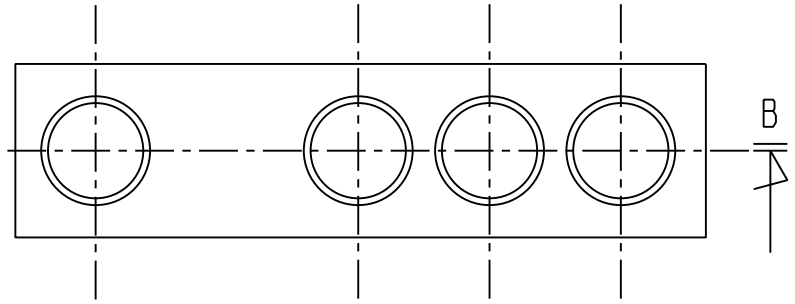
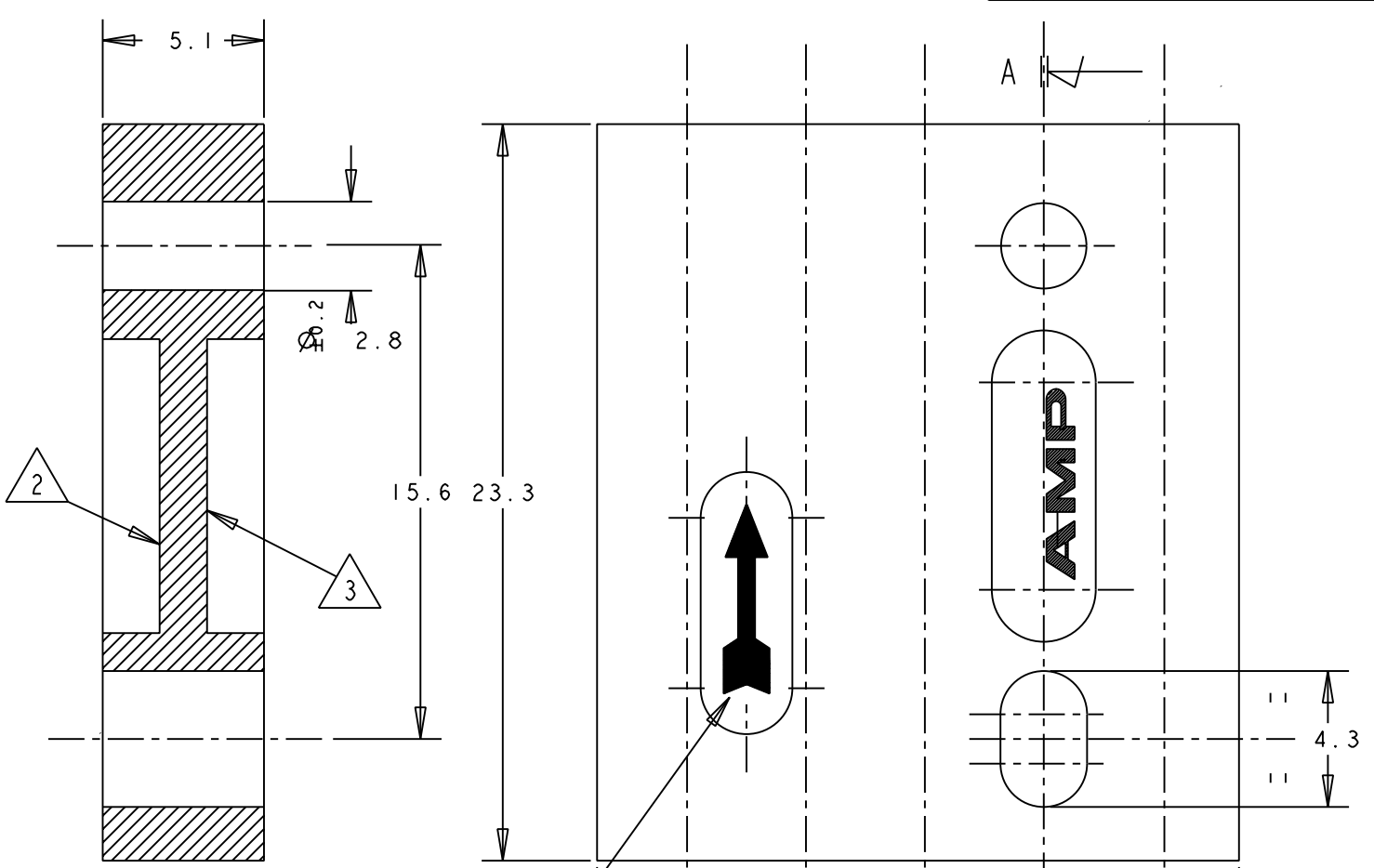
© COPYRIGHT ALL RIGHTS RESERVED.

LOC		DIST		REVISIONS		
P	LTR	DESCRIPTION	DATE	DWN	APVD	

### SECT. B-B



### SECT A-A



REV.	REVISIONI (REVISION RECORD)	DIS. DATA (DR)	DATE (DATE)
01	ECR-10-022530	KK	14 JUN 11
0	REDRAWN WITHOUT CHANGE	C.C.	2008
H	ADDED DASH 2	C.C.	19-10-1993
G	REV. PER ECN 1270	R.C.	DEC. '72
F	REV. PER ECN 1033	R.R.	DEC. '70
E	CHANGED YELLOW & BLACK MATERIAL	R.R.	JAN. '66
D	WAS 1A-5-5006	C.C.	SEP. '65
C	ADDED PART NUMB.	R.P.	SEP. '65
B	CHANGED COLOR AND MATERIAL CODE	R.R.	SEP. '65
A	REVISED-REDRAWN	R.P.	FEB. '65

### NOTES:

- 1 AN HALOWED ARROW MOULDED ON SHOWED LOCATION, INDICATES CONTACT INSERTION DIRECTION DURING CUSTOMER ASSEMBLY OPERATION
- 2 MANUF. CODE, CHARACTERS RAISED ON SHOWED LOCATION
- 3 PART NUMBER, CHARACTER RAISED ON SHOWED LOCATION
- 4 PRODUCT MANUFACTURED BY GERMANY
- 5 PRODUCTS MANUFACTURED BY TALY

OBSOLETE

FINITURA / COLORE	MATERIALE	NUMERO
4 BLACK	POLYC. 30% GLASS FILLED	180934-2
5 GREEN	POLYC. 20% GLASS FILLED	180934-1
BLACK	POLYCARBONATE NATURAL	180934-5

THIS DRAWING IS A CONTROLLED DOCUMENT.		DWN 06-09-1993 C. CORDOLA		<b>TE Connectivity</b>	
DIMENSIONS:		CHK 06-09-1993 C. MARTINS			
TOLERANCES UNLESS OTHERWISE SPECIFIED:		APVD		NAME	
0 PLC ± 1 PLC ± ± 0.4 2 PLC ± ± 3 PLC ± ± 4 PLC ± ± ANGLES ± ± 2°		PRODUCT SPEC		4 POS. MDM CONNECTOR FOR PIN CTC. TYPE I & III+ SIZE I6-LONG.	
MATERIAL		FINISH		RESTRICTED TO	
WEIGHT		APPLIC. SPEC		SIZE A3	
CUSTOMER DRAWING		SCALE NO		DRAWING NO C-180934	
SHEET 1 OF 1		REV 01			